

SHFBHP Series

Full Service Hot Food Bar

Countertop & Freestanding Base Model



*SHFBHP9539 Shown
w/ Optional Features*

REPLACEMENT CASES FOR DISCONTINUED HENNY PENNY HMR

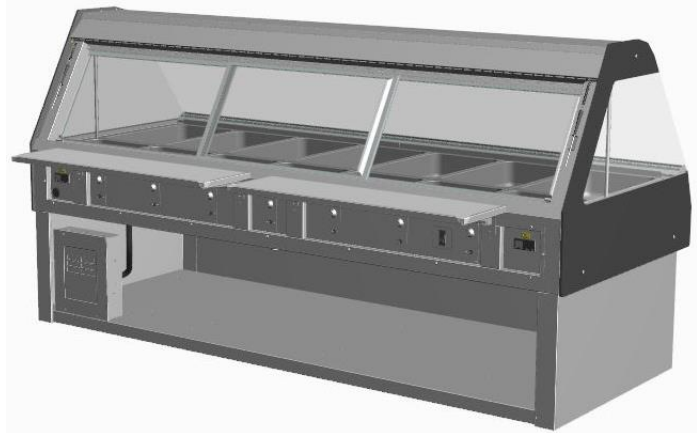
*Atlantic offers you the highest
ROI, with simplicity of service
and lower cost of ownership.*

Standard Features

- **Stainless steel exterior finish**
- **Stainless steel interior**
- **Clear end panels**
- **Flip down poly cutting boards**
- **Brilliant interior lighting**
- **Individual infinite controls for independent top AND bottom heat**
- **Forced air fan circulation system**
- **Sliding rear mirrored doors**
- **Capacity of 7 full size pans and 7 third size pans**
- **Tilt out front glass**
- **Food temperature probes**
- **Humidity pans**

Optional Features

- **Freestanding stainless steel base**
- **Freestanding powder coated base**
- **Single phase breaker panel**
- **Three phase breaker panel**



Atlantic Food Bars
Hot & Cold Food
Merchandising Equipment
Specialists



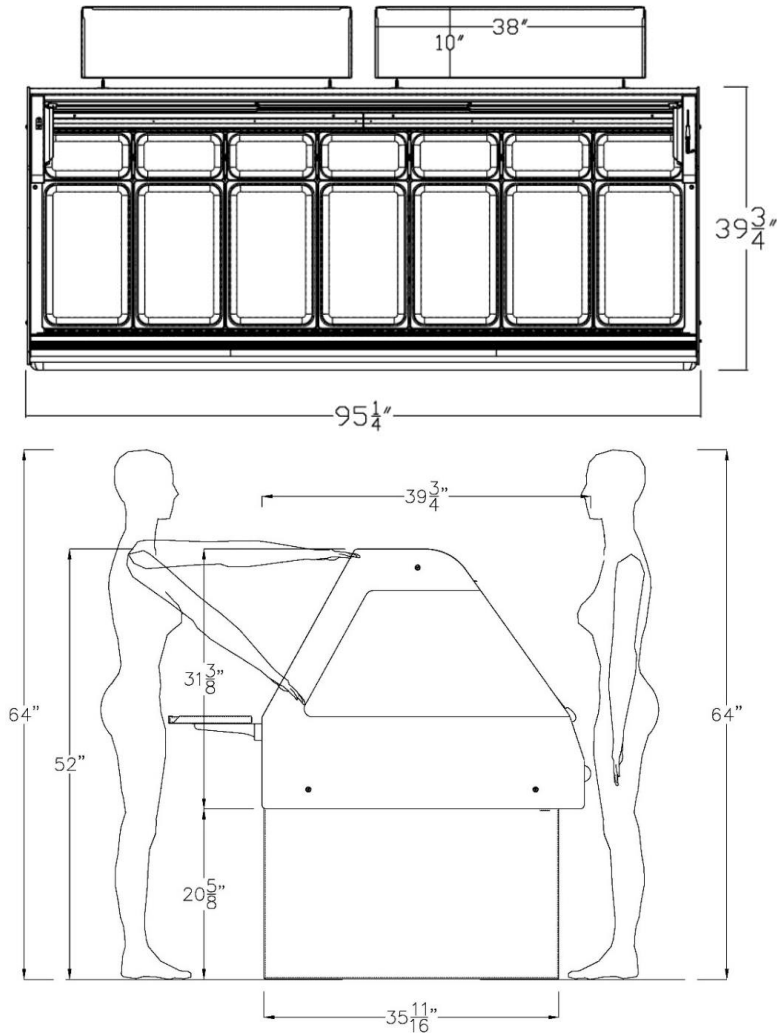
2450 Merritt Drive - Garland, TX 75041
Toll-Free: 888-MEAL SOLUTIONS
(1-888-632-5765)
info@atlanticfoodbars.com

SHFBHP Series

Full Service Hot Food Bar

Countertop & Freestanding Base Model

In line with our policy to continually improve our products, Atlantic Food Bars reserves the right to change materials and specifications without notice.



IP CODE	DIMENSIONS L" X W" X H"	CAPACITY	ELECTRICAL			
		HOT 12 x 27	VOLTAGE	AMPS	MCA	CORD & PLUG
SHFBHP9539-PS2 with HPB95	95.25 x 39.75 x 52.00	7	208/240	28.25 – 1Ø	35.31 – 1Ø	14-50P
				20.0 – 3Ø	25.0 – 3Ø	L21-30P
Neutral Required						

Please contact us with any questions regarding sizes and options not shown in this document.

Atlantic Food Bars
Hot & Cold Food
Merchandising Equipment
Specialists



2450 Merritt Drive - Garland, TX 75041
 Toll-Free: 888-MEAL SOLUTIONS
 (1-888-632-5765)
 info@atlanticfoodbars.com