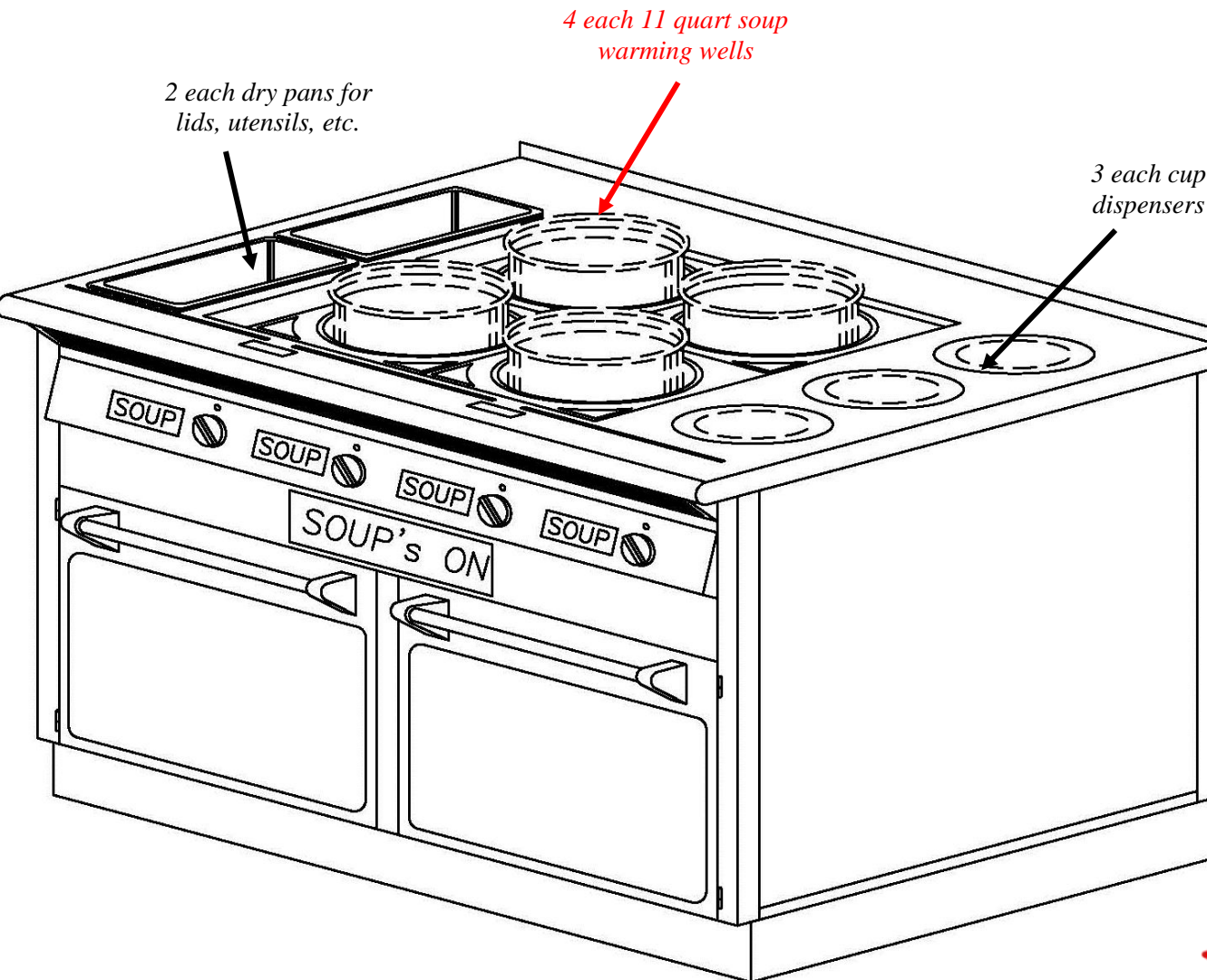


Soup's On™

IP #SOG4836-AW2

4'- 0" L x 36" D x 34" H



Approval – Complete All Sections

Colors:

Body: Stainless Steel

Countertop: Stainless Steel

Electric:

Voltage 208V

Phase: Single

Source: Ceiling Floor

Delivery

Site: Loading Dock

Delivery hours: 6:00am – 6:00pm

Depth of case is 36” which will fit through narrowest space between delivery point and install location. Yes No If no – CALL US ASAP

Approval signature: _____

Date: _____

See last page for specifications table – your signature above verifies the installation site has the required power as shown

Scroll down for more views



Atlantic **SOUP** Bars
Soup Merchandising
Equipment Specialists

888-MEAL-SOLUTIONS (888-632-5765)

www.atlanticfoodbars.com

Soup's On™

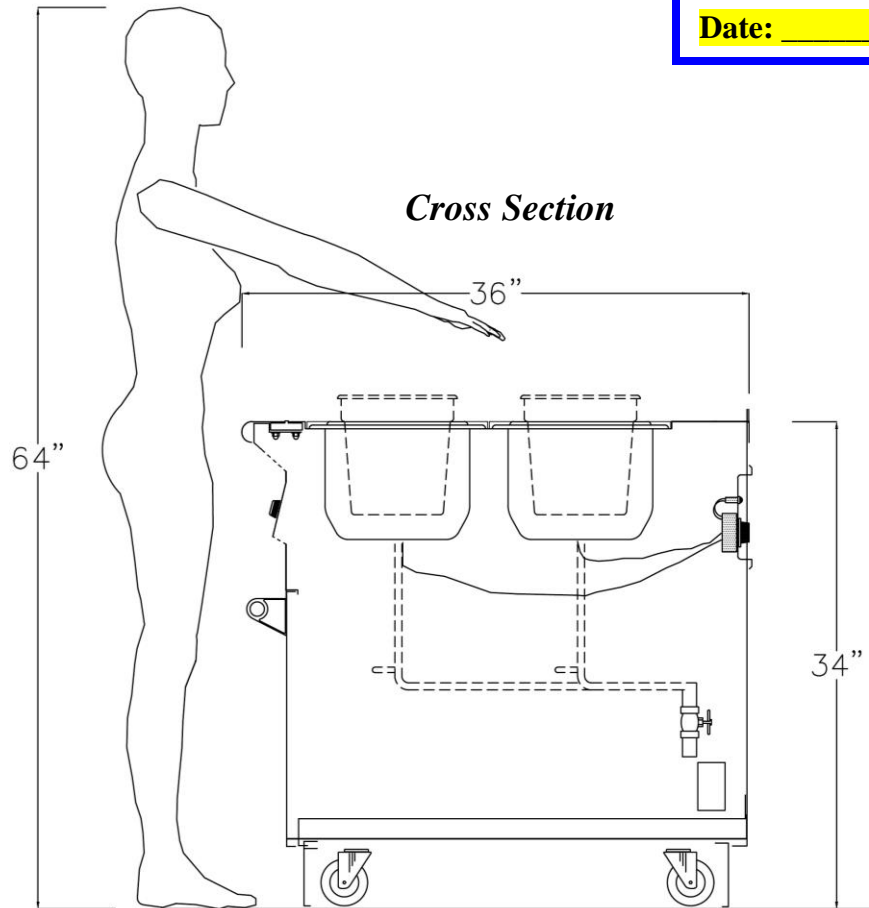
IP #SOG4836-AW2-UO

4'-0" L x 36" D x 34" H

Details per sign off on page 1 and specifications on this page

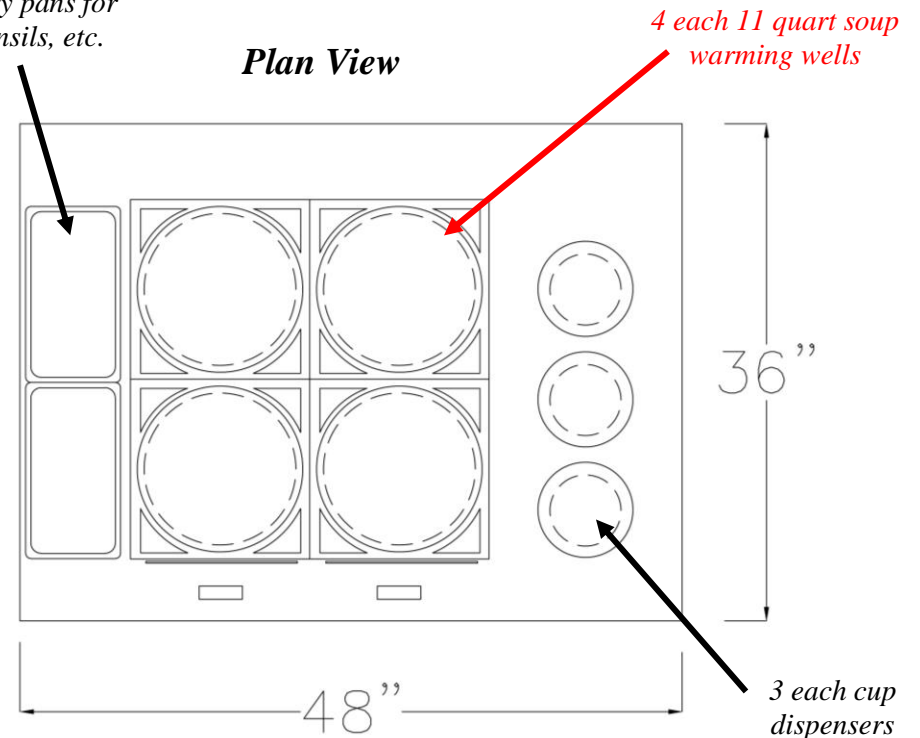
Approval signature: _____

Date: _____



2 each dry pans for lids, utensils, etc.

Plan View



Internal Part #	Custom Description	Dimensions	11-qt Soup Well Capacity	Voltage	Amps
SOG4836-AW2-UO	4' Four-Well Soup Bar	48" L x 36" D x 34 H	4	208	11.92



Atlantic SOUP Bars
Soup Merchandising
Equipment Specialists

888-MEAL-SOLUTIONS (888-632-5765)
www.atlanticfoodbars.com