

## Case - 2

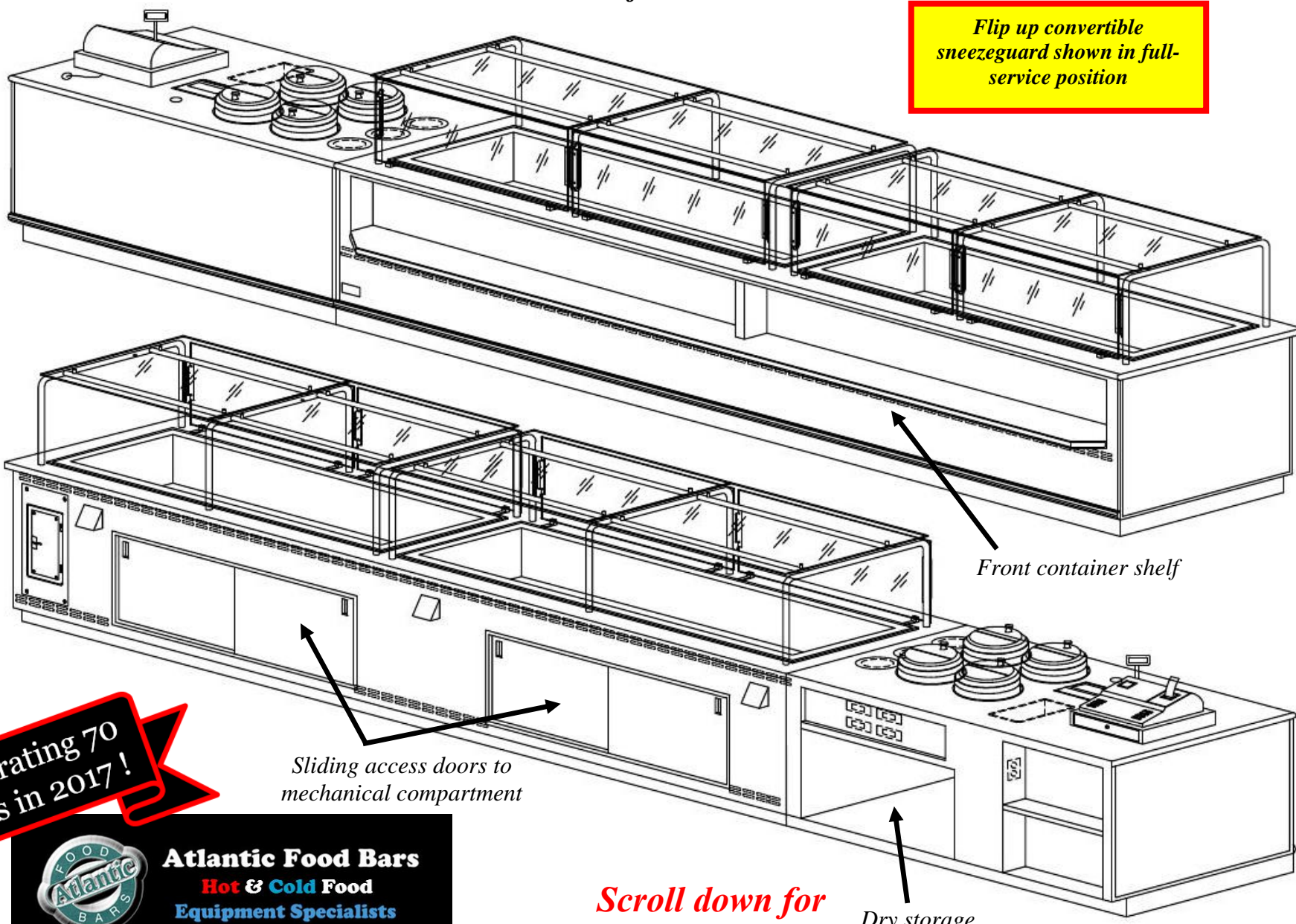
6' *Soup* and Register Counter

## Case - 1

14' Convertible Service Food Prep Station with *Convertible* **HOT/COLD** food wells

# 20' *Hot & Cold* Food and Soup Lineup

Flip up convertible sneezeguard shown in full-service position



Front container shelf

Sliding access doors to mechanical compartment

Dry storage

Scroll down for more views

Celebrating 70 Years in 2017!



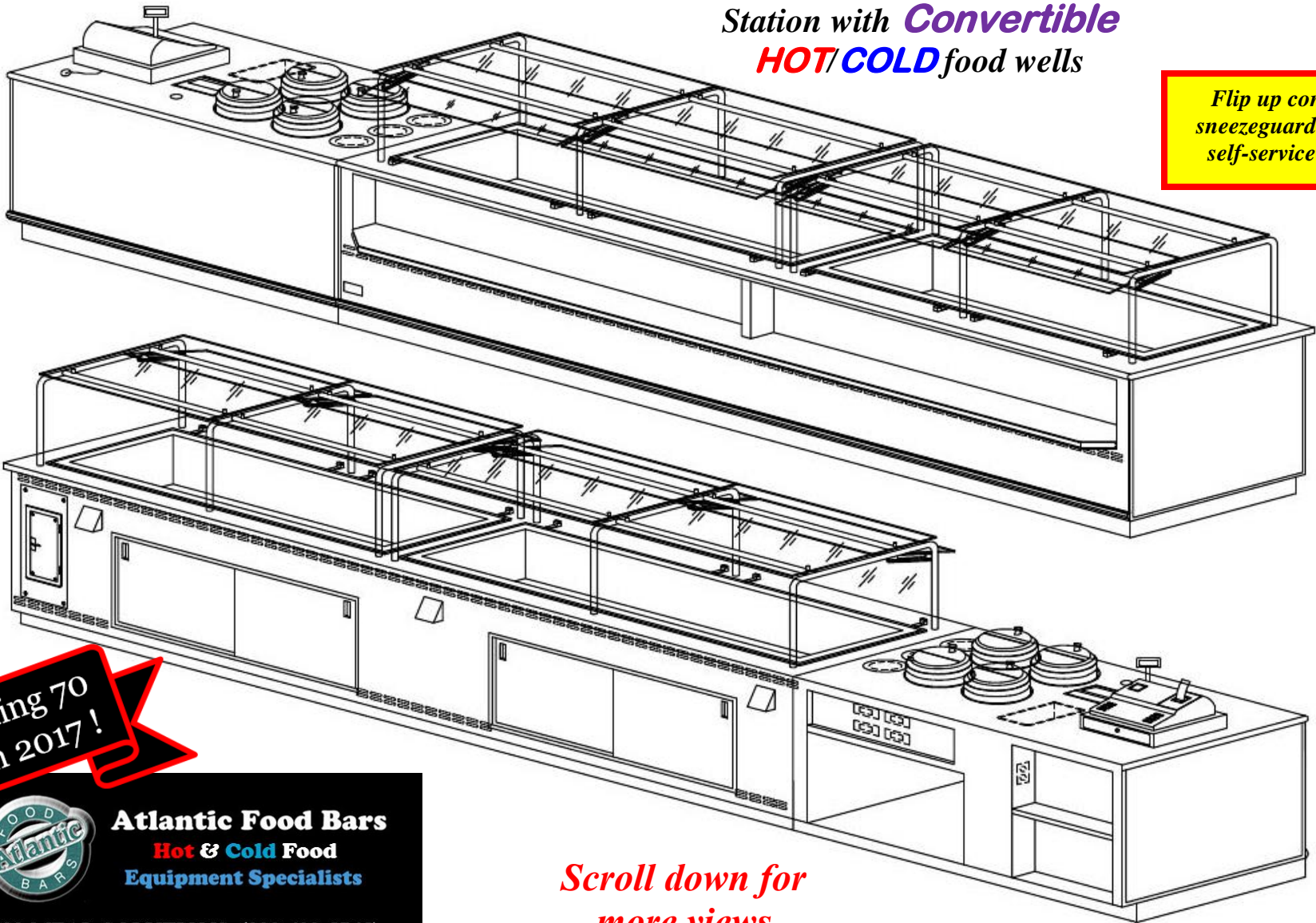
**Atlantic Food Bars**  
Hot & Cold Food  
Equipment Specialists

888-MEAL-SOLUTIONS (888-632-5765)  
[www.atlanticfoodbars.com](http://www.atlanticfoodbars.com)

# 20' Hot & Cold Food and Soup Lineup

## Case - 2

6' *Soup* and Register Counter



## Case - 1

14' Convertible Service Food Prep Station with **Convertible HOT/COLD** food wells

Flip up convertible sneezeguard shown in self-service position

Celebrating 70 Years in 2017!



**Atlantic Food Bars**  
Hot & Cold Food  
Equipment Specialists

888-MEAL-SOLUTIONS (888-632-5765)  
[www.atlanticfoodbars.com](http://www.atlanticfoodbars.com)

Scroll down for more views

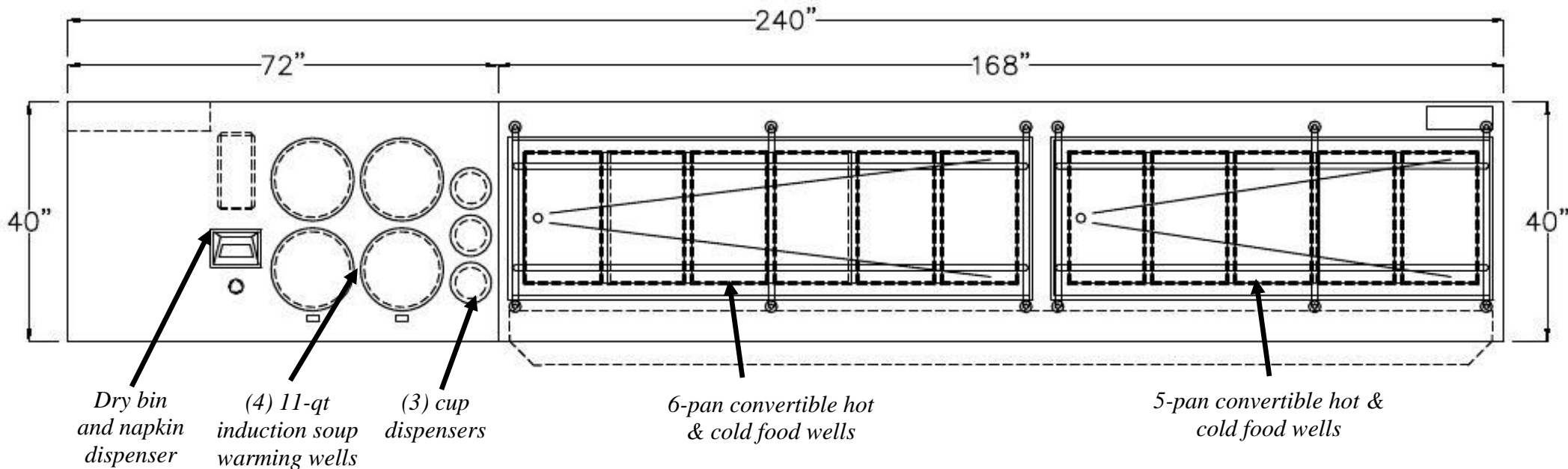
# 20' Hot & Cold Food and Soup Lineup

## Case - 2

6' Soup and Register Counter

## Case - 1

14' Convertible Service Food Prep Station with Convertible HOT/COLD food wells



Plan View

Scroll down for more views

Celebrating 70 Years in 2017!

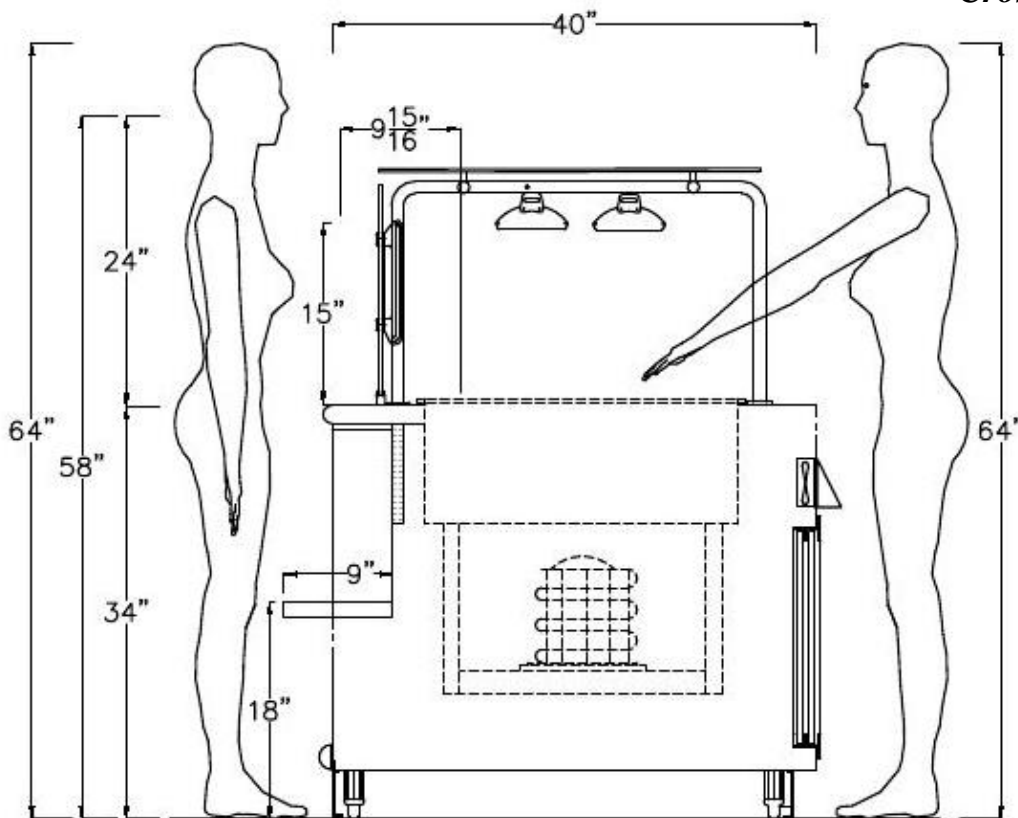


**HOT & COLD**  
**Atlantic Food Bars**  
 Hot & Cold Food  
 Merchandising Equipment  
 Specialists

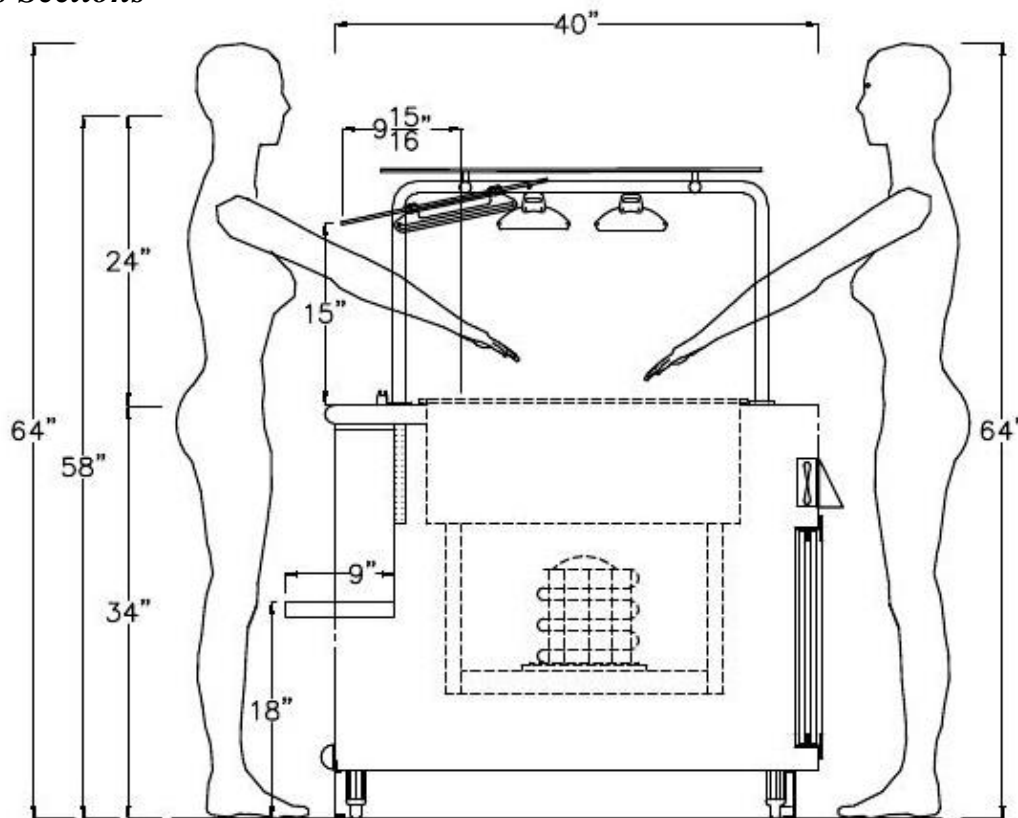
888-MEAL-SOLUTIONS  
 (888-632-5765)  
[www.atlanticfoodbars.com](http://www.atlanticfoodbars.com)

# 14' Convertible Service Food Prep Station with **Convertible HOT/COLD** food wells

## Cross Sections



Sneeze guard shown in **FULL SERVICE** mode



Sneeze guard shown in **SELF-SERVICE** mode

**Scroll down for more views**

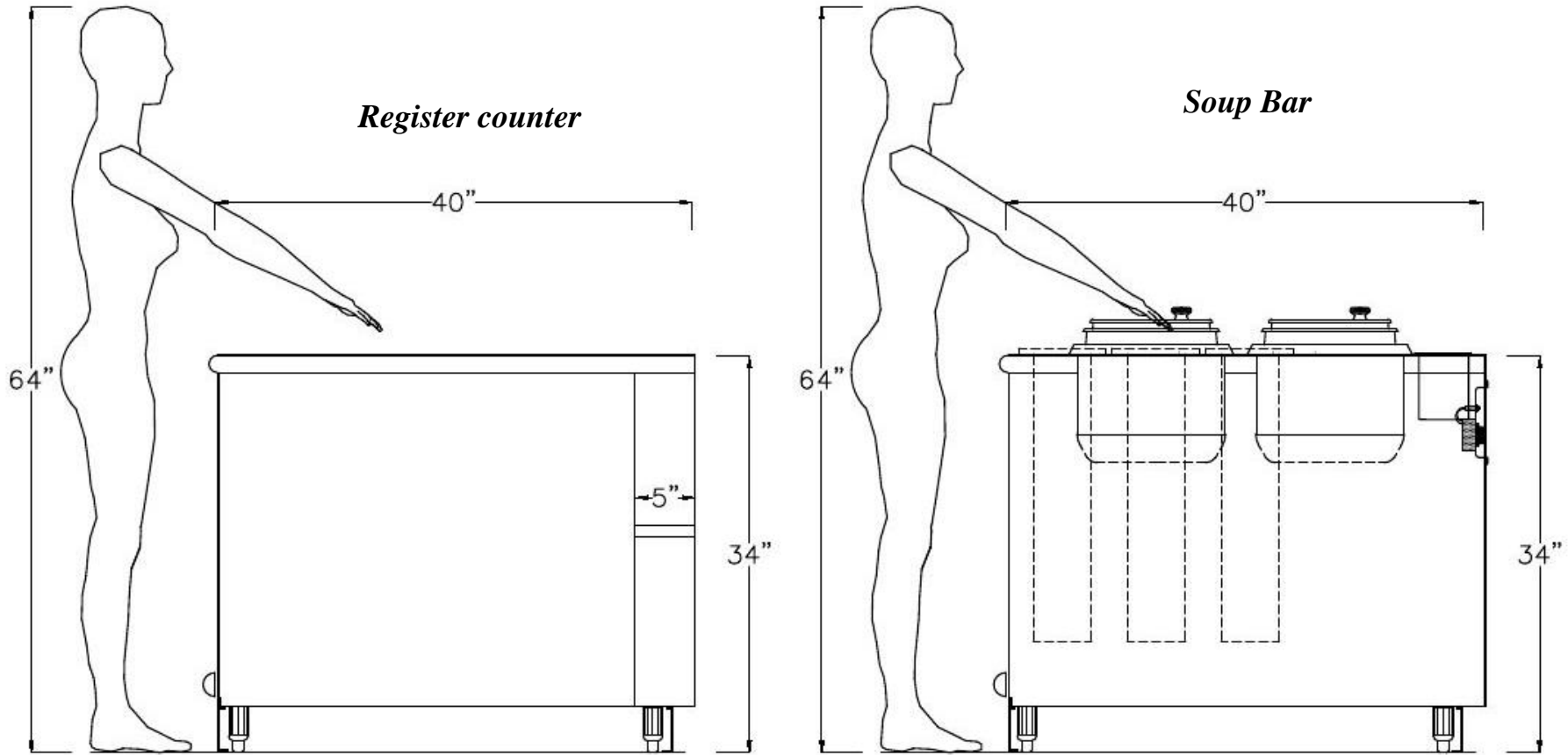
**Celebrating 70 Years in 2017!**



**HOT & COLD**  
**Atlantic Food Bars**  
**Hot & Cold Food**  
**Merchandising Equipment**  
**Specialists**

888-MEAL-SOLUTIONS  
 (888-632-5765)  
[www.atlanticfoodbars.com](http://www.atlanticfoodbars.com)

# 6' Hot Soup & Register Counter



*Cross Sections*



**HOT & COLD**  
**Atlantic Food Bars**  
Hot & Cold Food  
Merchandising Equipment  
Specialists

888-MEAL-SOLUTIONS  
(888-632-5765)  
[www.atlanticfoodbars.com](http://www.atlanticfoodbars.com)