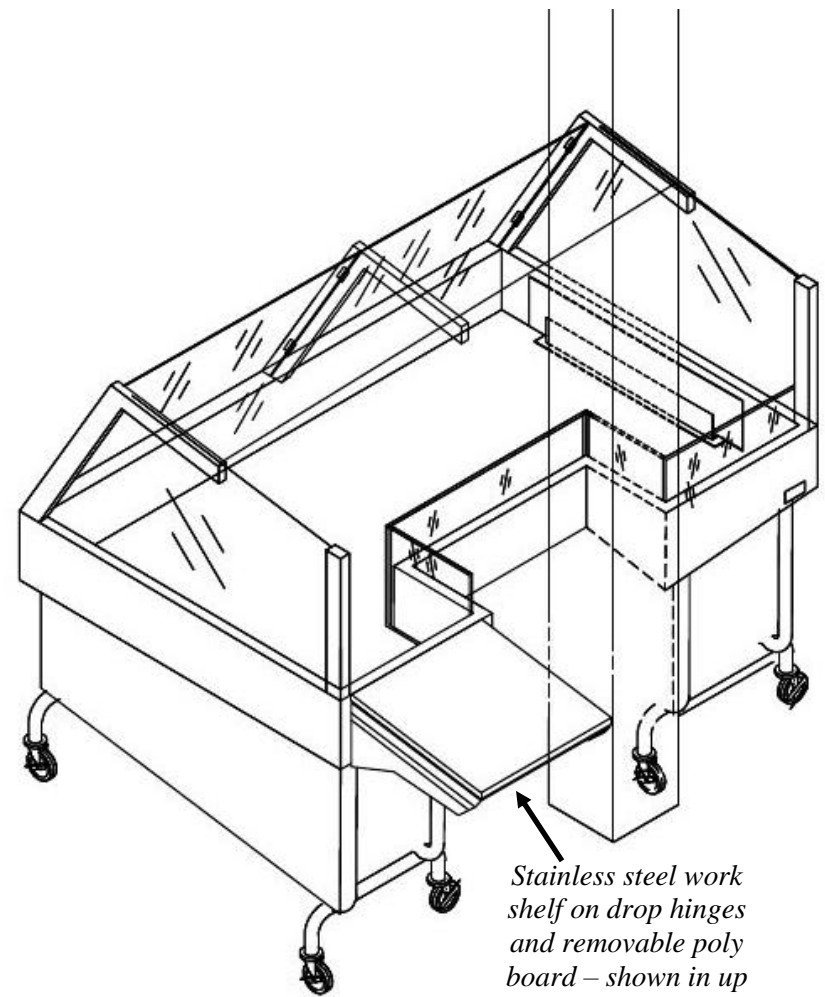
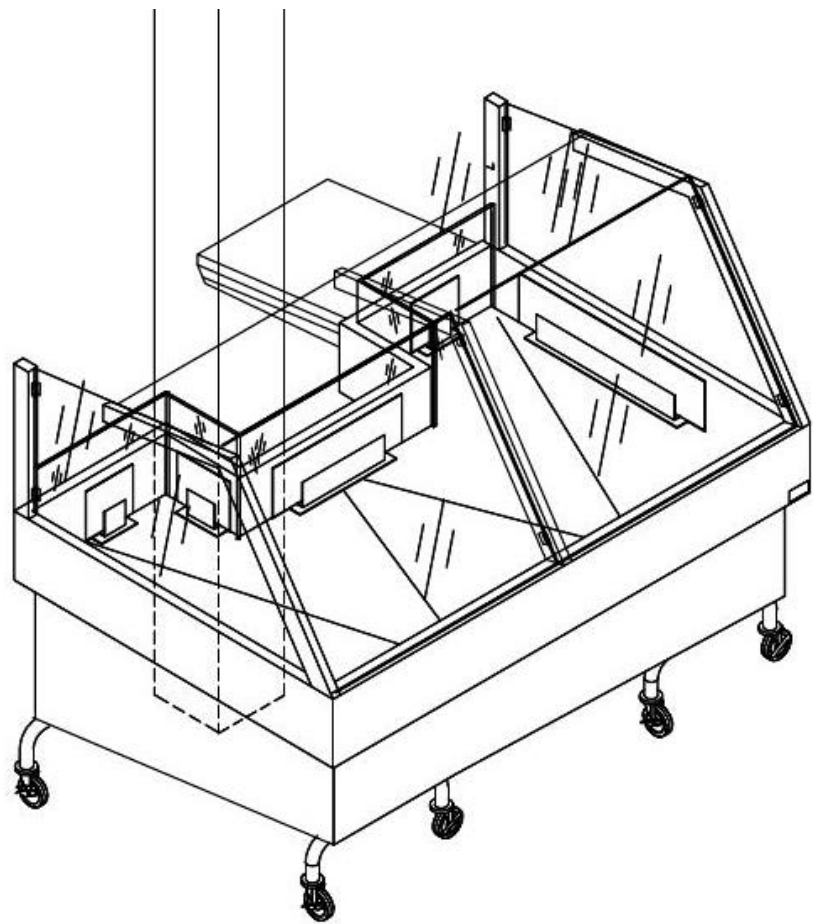


# 60" Full Service Modular Mobile Ice Table for Iced Stone Crab Merchandising

Designed to wrap a column  
IP # Custom  
60" L x 44" D x 57" H

Approval signature: \_\_\_\_\_  
Date: \_\_\_\_\_



**Celebrating 70  
Years in 2017!**



**SEA**  
**Atlantic Food Bars**  
**Seafood Merchandising**  
**Equipment Specialists**

888-MEAL-SOLUTIONS  
(888-632-5765)  
[www.atlanticfoodbars.com](http://www.atlanticfoodbars.com)

# 60" Full Service Modular Mobile Ice Table for Iced Stone Crab Merchandising

Designed to wrap a column

IP # Custom

60" L x 44" D x 57" H

**Approval – Complete All Sections**

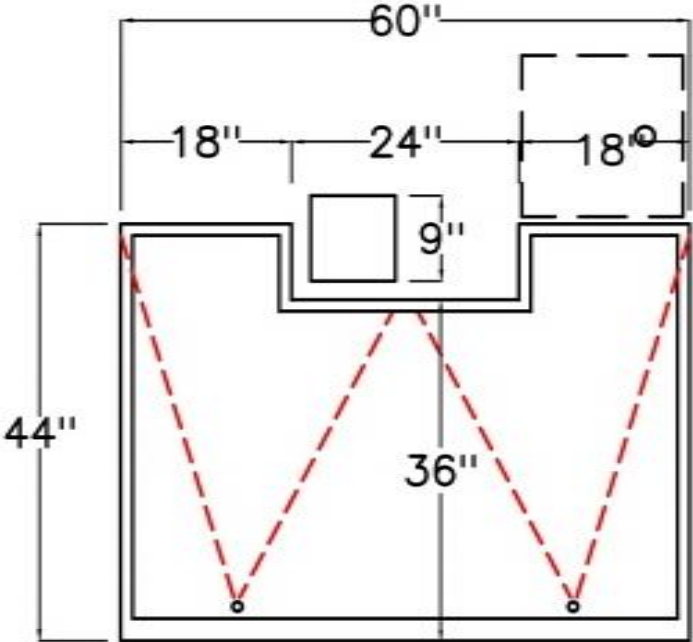
Colors:

Body: Stainless Steel

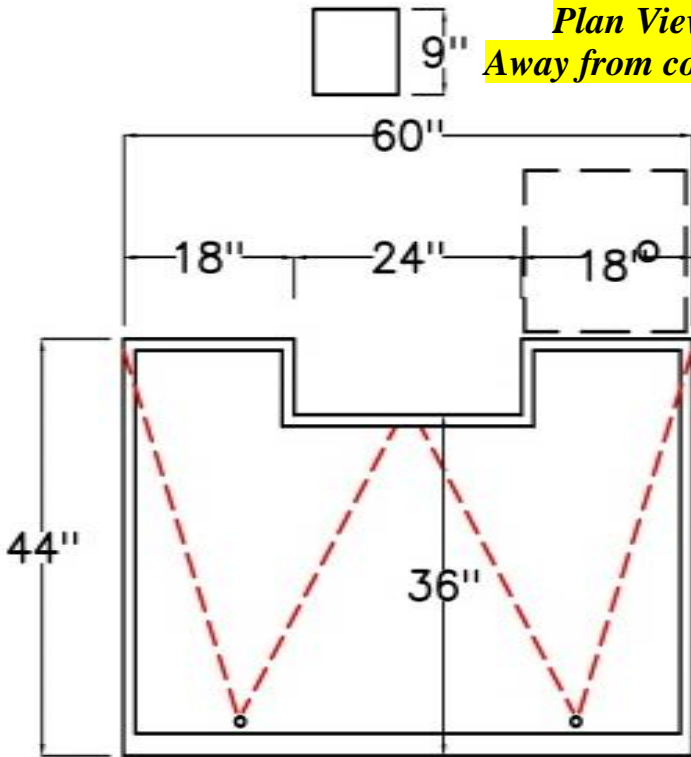
Approval signature: \_\_\_\_\_

Date: \_\_\_\_\_

**Plan View**  
**Abutted to column**



**Plan View**  
**Away from column**



**Celebrating 70  
Years in 2017!**



**SEA**  
**Atlantic Food Bars**  
**Seafood Merchandising**  
**Equipment Specialists**

888-MEAL-SOLUTIONS  
(888-632-5765)  
[www.atlanticfoodbars.com](http://www.atlanticfoodbars.com)

# 60" Full Service Modular Mobile Ice Table for Iced Stone Crab Merchandising

Designed to wrap a column

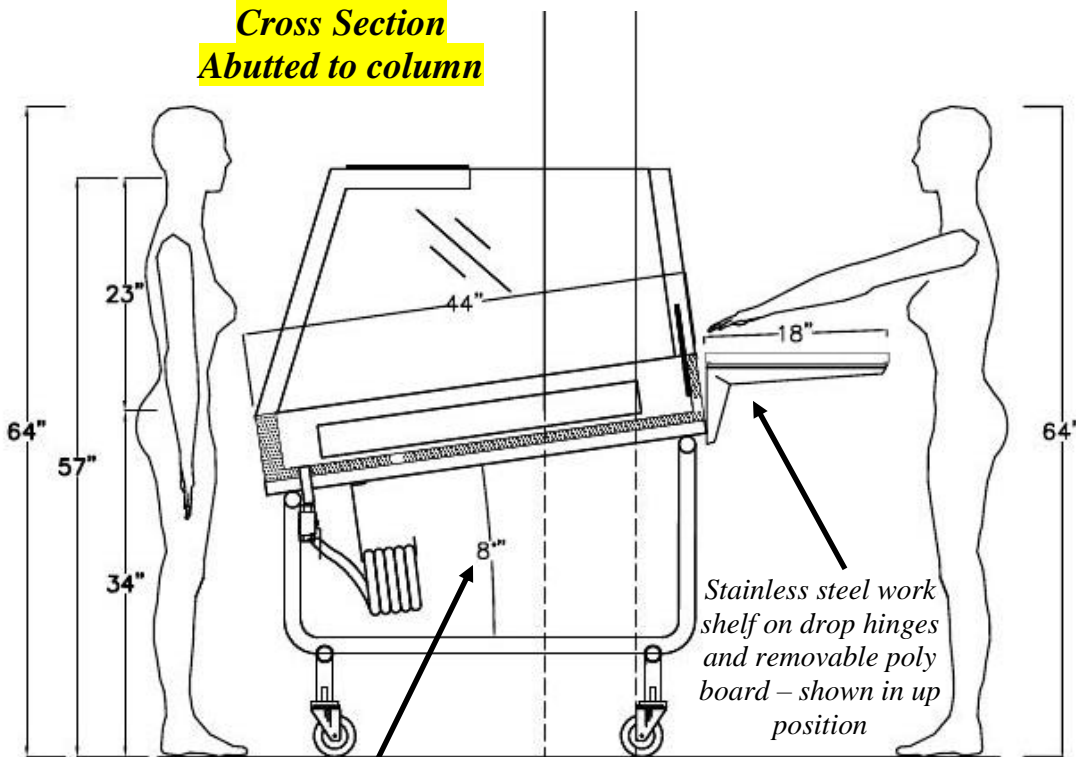
IP # Custom

60" L x 44" D x 57" H

Approval signature: \_\_\_\_\_

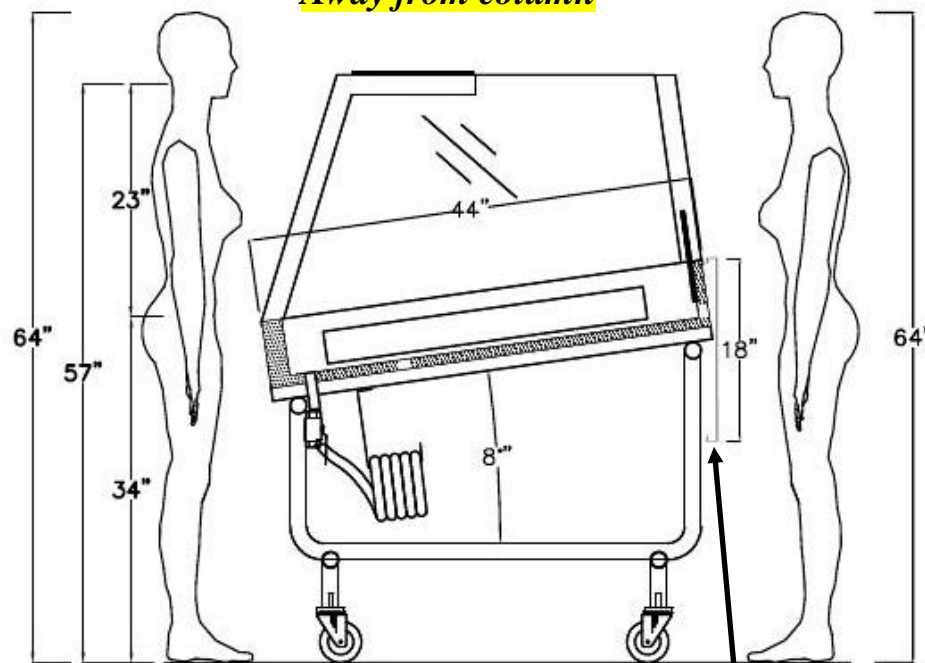
Date: \_\_\_\_\_

**Cross Section  
Abutted to column**



Case is built on an 8 degree pitch for beautiful food display

**Cross Section  
Away from column**



Stainless steel work shelf on drop hinges and removable poly board – shown in up position

*Cross Sections*



**Atlantic Food Bars**  
Seafood Merchandising  
Equipment Specialists

888-MEAL-SOLUTIONS  
(888-632-5765)  
[www.atlanticfoodbars.com](http://www.atlanticfoodbars.com)