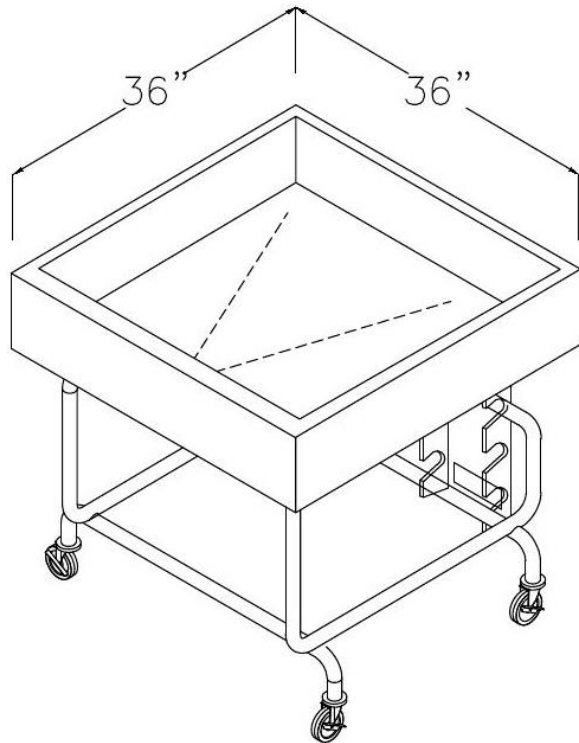
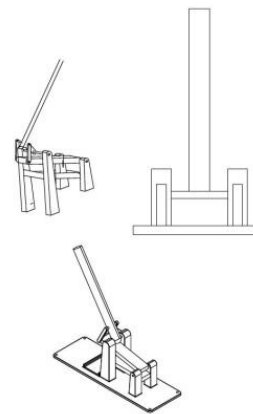
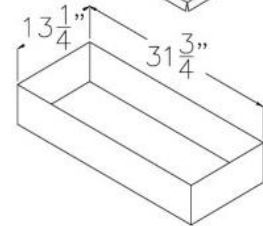
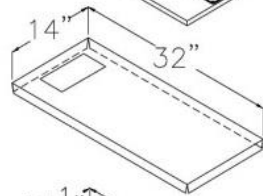
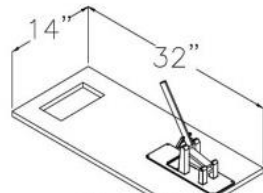
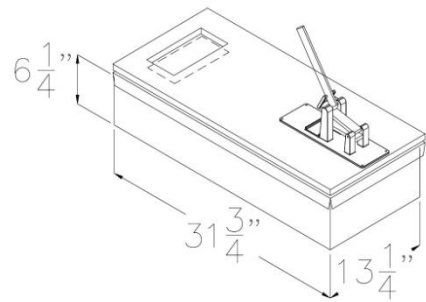


36" Modular Mobile Ice Table

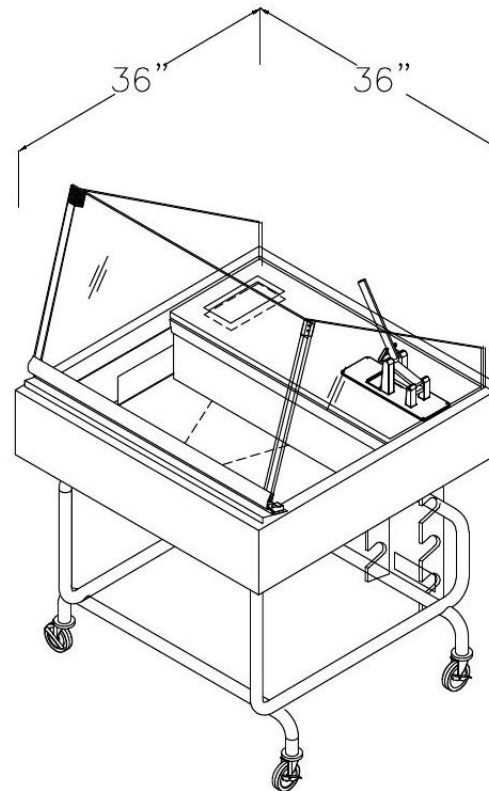
With Oyster Shucking Kit

IP #MIT3636M-OSKT3

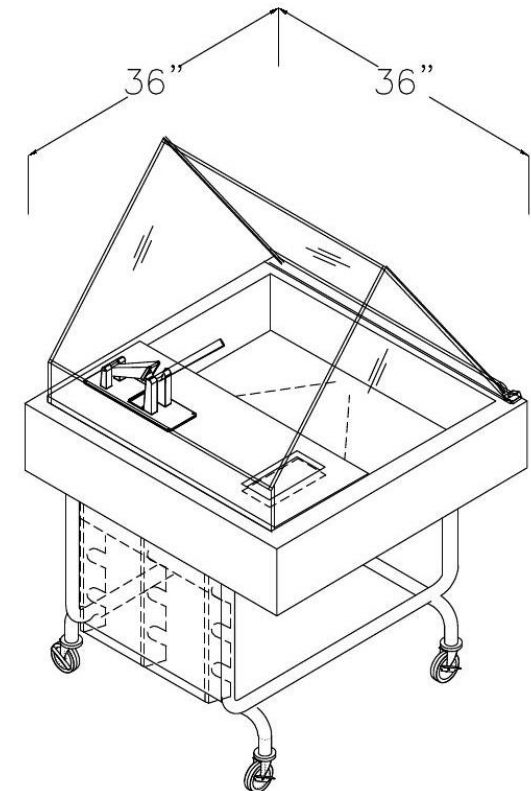
36" L x 36" D x 34" H (base), 57" H (top of Full Service Kit)



*3' unit shown with
Oyster Shucking Kit
and Full Service Kit*



*Oyster Shucking Tool
Not Included*



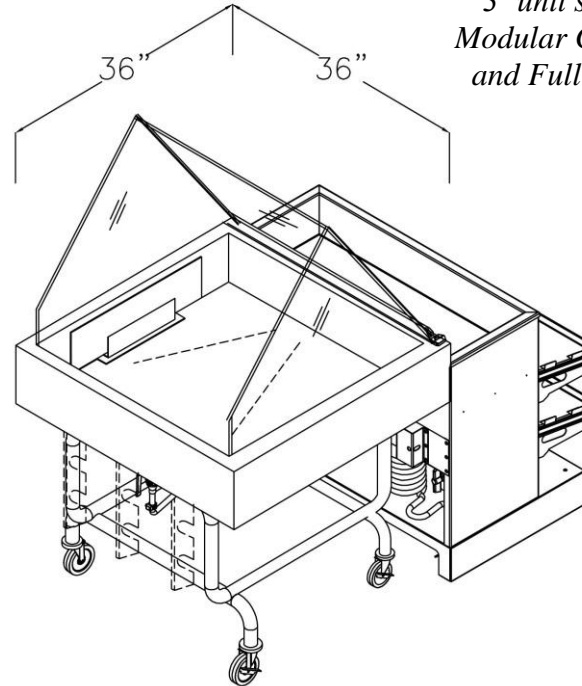
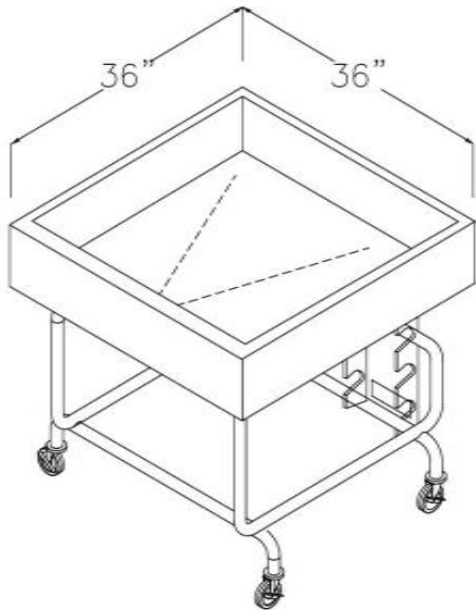
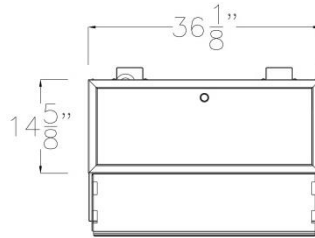
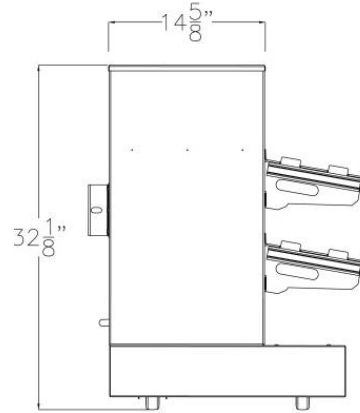
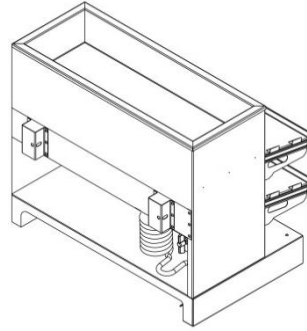
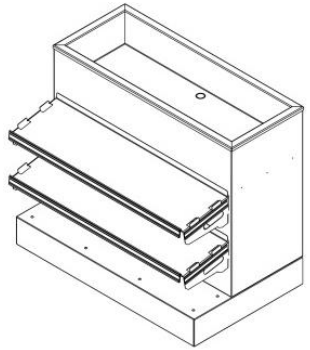
Atlantic Food Bars
Hot & Cold Food
Merchandising Equipment
Specialists

888-MEAL-SOLUTIONS
(888-632-5765)
www.atlanticfoodbars.com

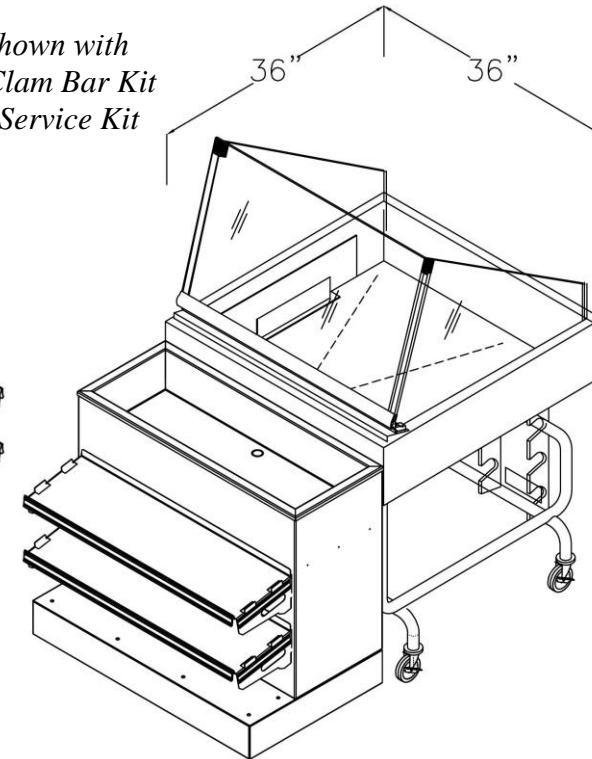
36" Modular Mobile Ice Table

With Modular Clam Bar Kit

IP #MIT3636M-MCB36
36" L x 36" D x 34" H (base)



*3' unit shown with
Modular Clam Bar Kit
and Full Service Kit*



TRANSFORMER TM **MERCHANDISER**
U.S. Pat. No. 10,136,741
www.transforMerchandiser.com



Atlantic Food Bars
Hot & Cold Food
Merchandising Equipment
Specialists

888-MEAL-SOLUTIONS
(888-632-5765)
www.atlanticfoodbars.com