

# 14' Island Salad Bar

With Refrigerated Salad Dressing Bottle Display

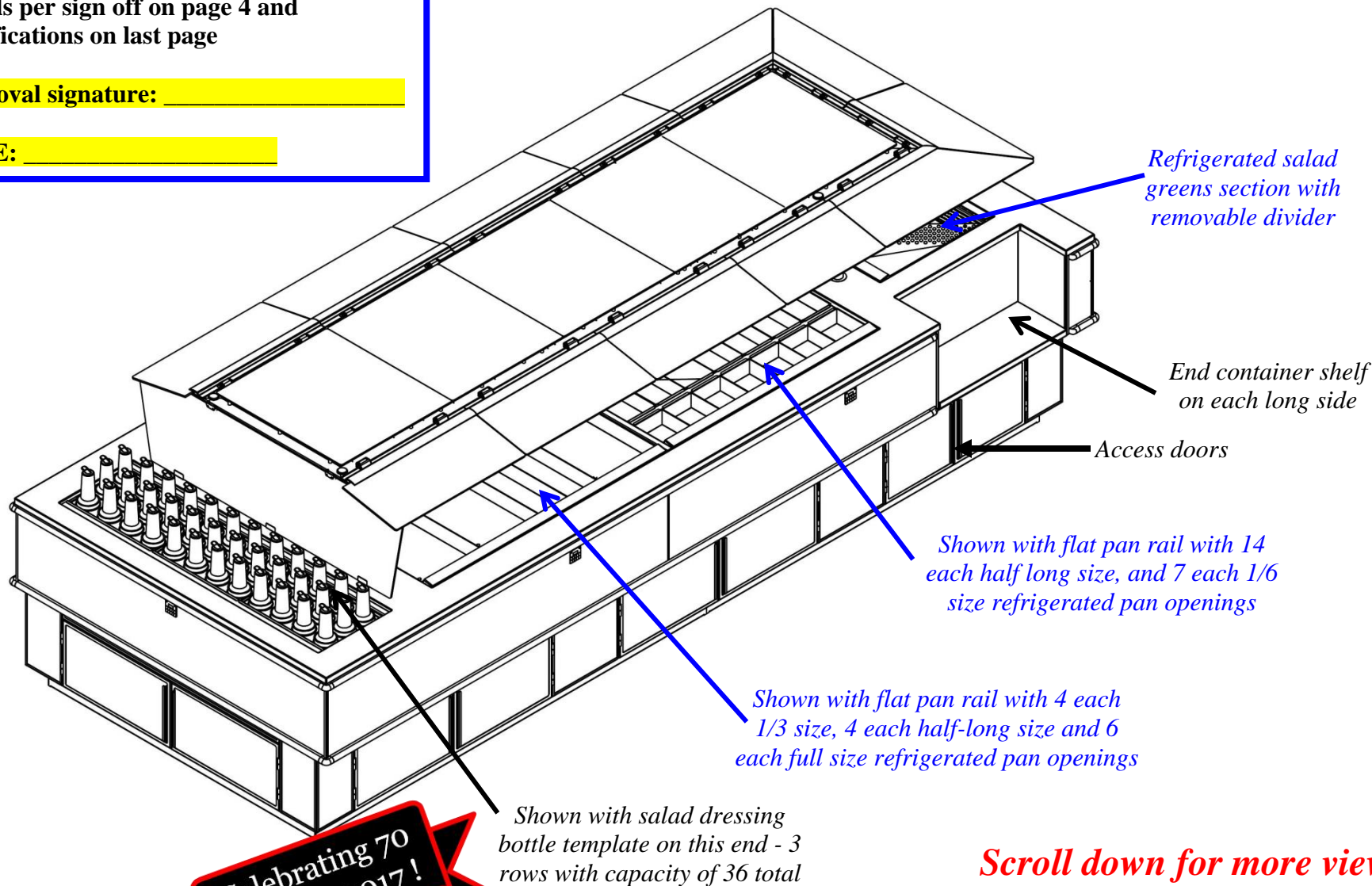
IP #ISB14868-CM52-ELP-FPR-FSPR-GC-LB-RBD-SCS2-VH

14'-0" L x 70" x 52 1/4" H

Details per sign off on page 4 and specifications on last page

Approval signature: \_\_\_\_\_

DATE: \_\_\_\_\_



*Scroll down for more views*



**Atlantic Food Bars**  
**Salad Merchandising**  
**Equipment Specialists**

888-MEAL-SOLUTIONS  
(888-632-5765)  
[www.atlanticfoodbars.com](http://www.atlanticfoodbars.com)

# 14' Island Salad Bar

## With Refrigerated Salad Dressing Bottle Display

IP #ISB14868-CM52-ELP-FPR-FSPR-GC-LB-RBD-SCS2-VH

14'-0" L x 70" x 52 1/4" H

Refrigerated salad dressing bottles display - 3 rows with capacity of 36 total

"No Visible Means of Support" Sneezeguard with floating glass top with LED lighting

Details per sign off on page 4 and specifications on last page

Approval signature: \_\_\_\_\_

DATE: \_\_\_\_\_

Salad greens section with removable divider

Shown with flat pan rail with 4 each 1/3 size, 4 each half-long size and 6 each full size refrigerated pan openings

Shown with flat pan rail with 14 each half long size, and 7 each 1/6 size refrigerated pan openings

Access doors

End container shelf on each long side



**Atlantic Food Bars**  
Salad Merchandising  
Equipment Specialists

*Scroll down for more views*

888-MEAL-SOLUTIONS  
(888-632-5765)  
[www.atlanticfoodbars.com](http://www.atlanticfoodbars.com)

# 14' Island Salad Bar

With Refrigerated Salad Dressing Bottle Display

IP #ISB14868-CM52-ELP-FPR-FSPR-GC-LB-RBD-SCS2-VH

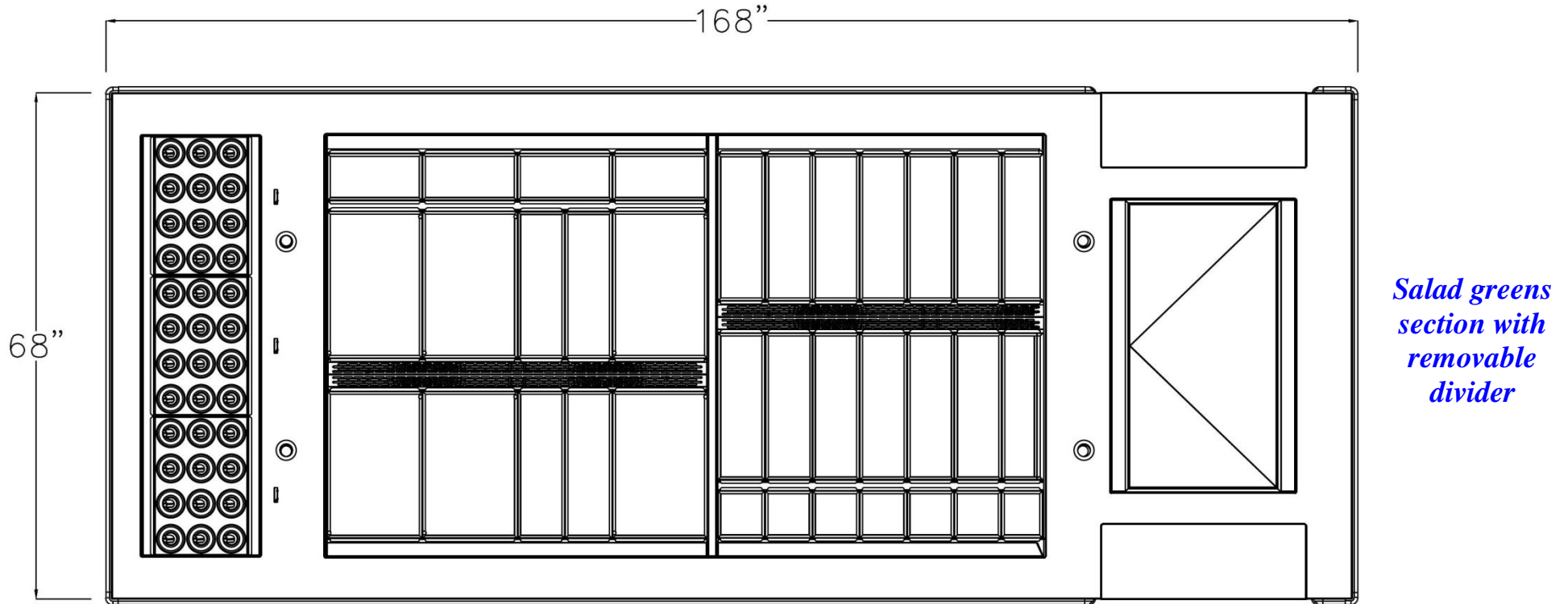
14'-0" L x 70" x 52 1/4" H

Details per sign off on page 4 and specifications on last page

Approval signature: \_\_\_\_\_

DATE: \_\_\_\_\_

Plan View



Salad greens section with removable divider

Shown with salad dressing bottles on this end - 3 rows with capacity of 36 total

Shown with flat pan rail with 4 each 1/3 size, 4 each half-long size and 6 each full size refrigerated pan openings

Shown with flat pan rail with 14 each half long, and 7 each 1/6 size refrigerated pan openings

Side container shelf on each long side

Scroll down for more views

Celebrating 70 Years in 2017!



Atlantic Food Bars  
Salad Merchandising  
Equipment Specialists

888-MEAL-SOLUTIONS  
(888-632-5765)  
[www.atlanticfoodbars.com](http://www.atlanticfoodbars.com)

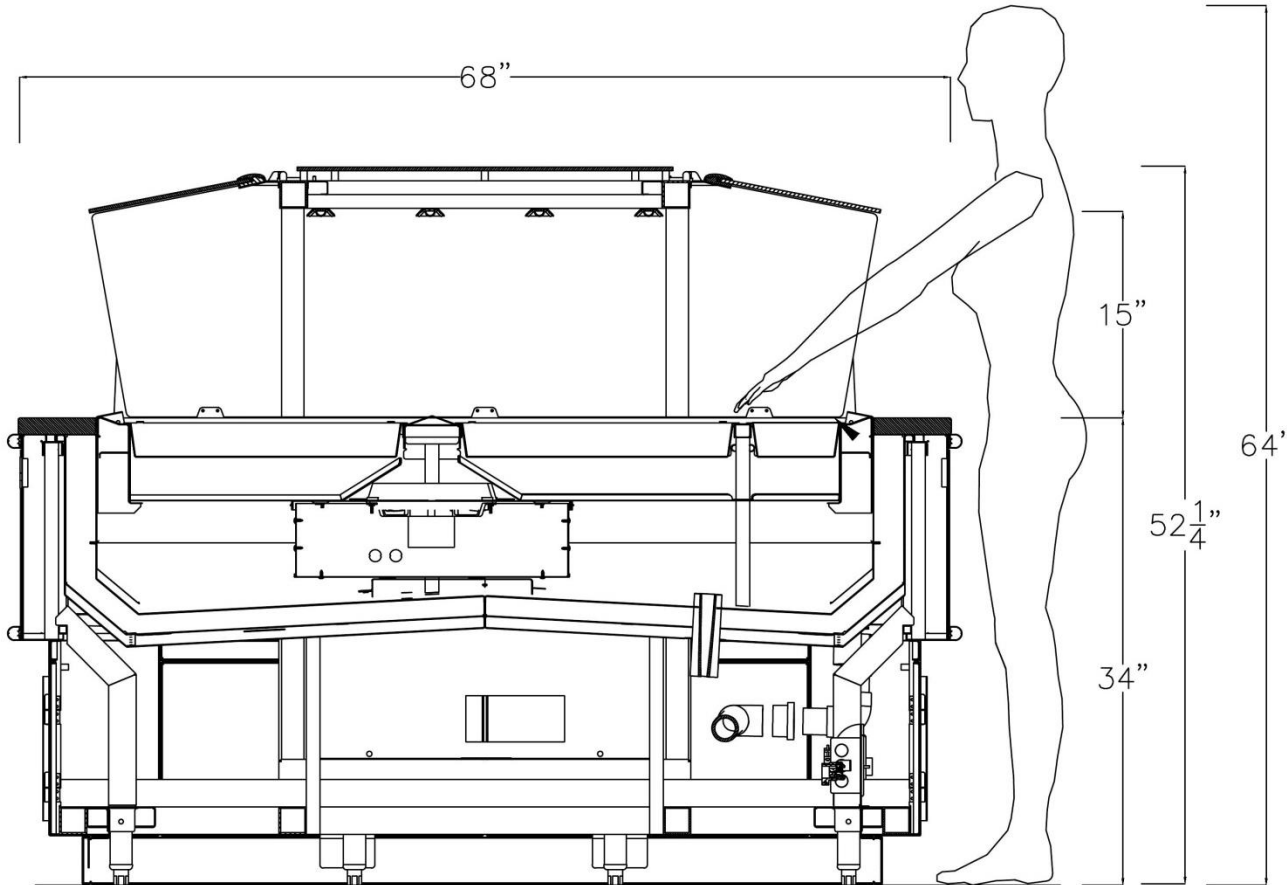


# 14' Island Salad Bar

## With Refrigerated Salad Dressing Bottle Display

IP #ISB14868-CM52-ELP-FPR-FSPR-GC-LB-RBD-SCS2-VH

14'-0" L x 70" x 52 1/4" H



Cross Section

### Approval – Complete All Sections

#### Colors:

Body Laminate: \_\_\_\_\_  
 Wood grain to run  horizontally or  
 vertically (check one)  
 Bumper: black  
 Countertop: Granite - \_\_\_\_\_  
 Kickplate: \_\_\_\_\_

**Refrigeration - Remote:** Refrigerant: CO2  
 Danfoss case controller and electronic  
 metering device

#### Electric:

Voltage: 120/208V  
 Phase: Single  
 Source: Ceiling  Floor

#### Delivery

Site: Loading Dock  Ground Level   
 Delivery hours: \_\_\_\_\_  
 Depth of case is 70" which will fit through  
 narrowest space between delivery point and install  
 location. Yes  No  If no – CALL US ASAP

Approval signature: \_\_\_\_\_

Date: \_\_\_\_\_

IP CODE	DIMENSIONS L" X W" X H"	CAPACITY	REFRIGERATION	ELECTRICAL		
		COLD	BTUH @ +26°F EVAP	VOLTAGE	REMOTE AMPS	MCA
ISB14868-CM52-ELP- FPR-FSPR-GC-LB-RBD- SCS2-VH	168 x 70 x 52.25	Full Size-6 Half-Long Size-18 1/3 Size-4 1/6 Size-7	16,950	120	7.0 - 1Ø	8.8



**Atlantic Food Bars**  
 Salad Merchandising  
 Equipment Specialists

888-MEAL-SOLUTIONS (888-632-5765)  
 www.atlanticfoodbars.com