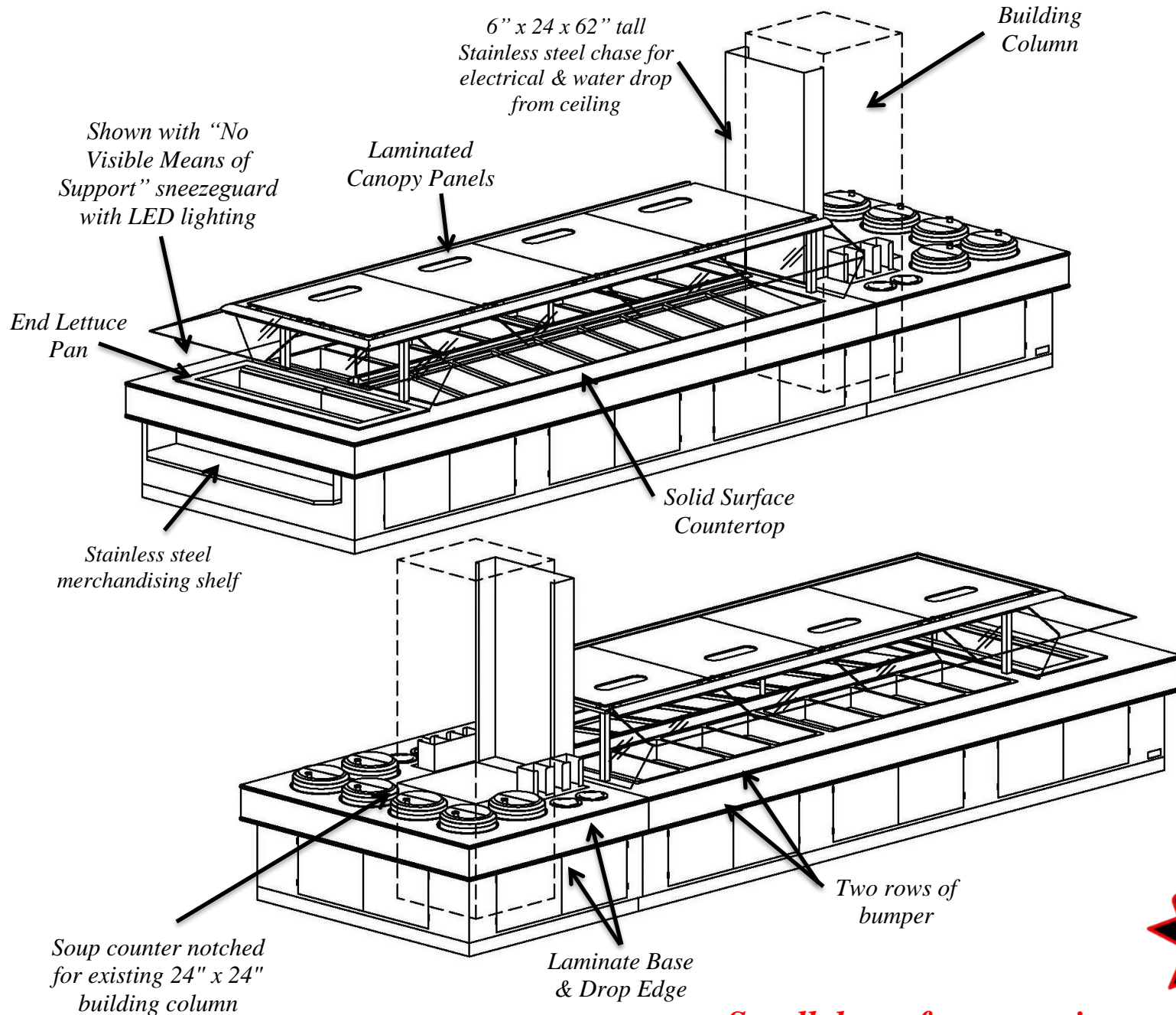


# Island *Soup, Salad & Hot Food Bar*

IP #ISHFB Series

18'-2" L x 71" D x 54" H



*Scroll down for more views*

**Celebrating 70  
Years in 2017!**

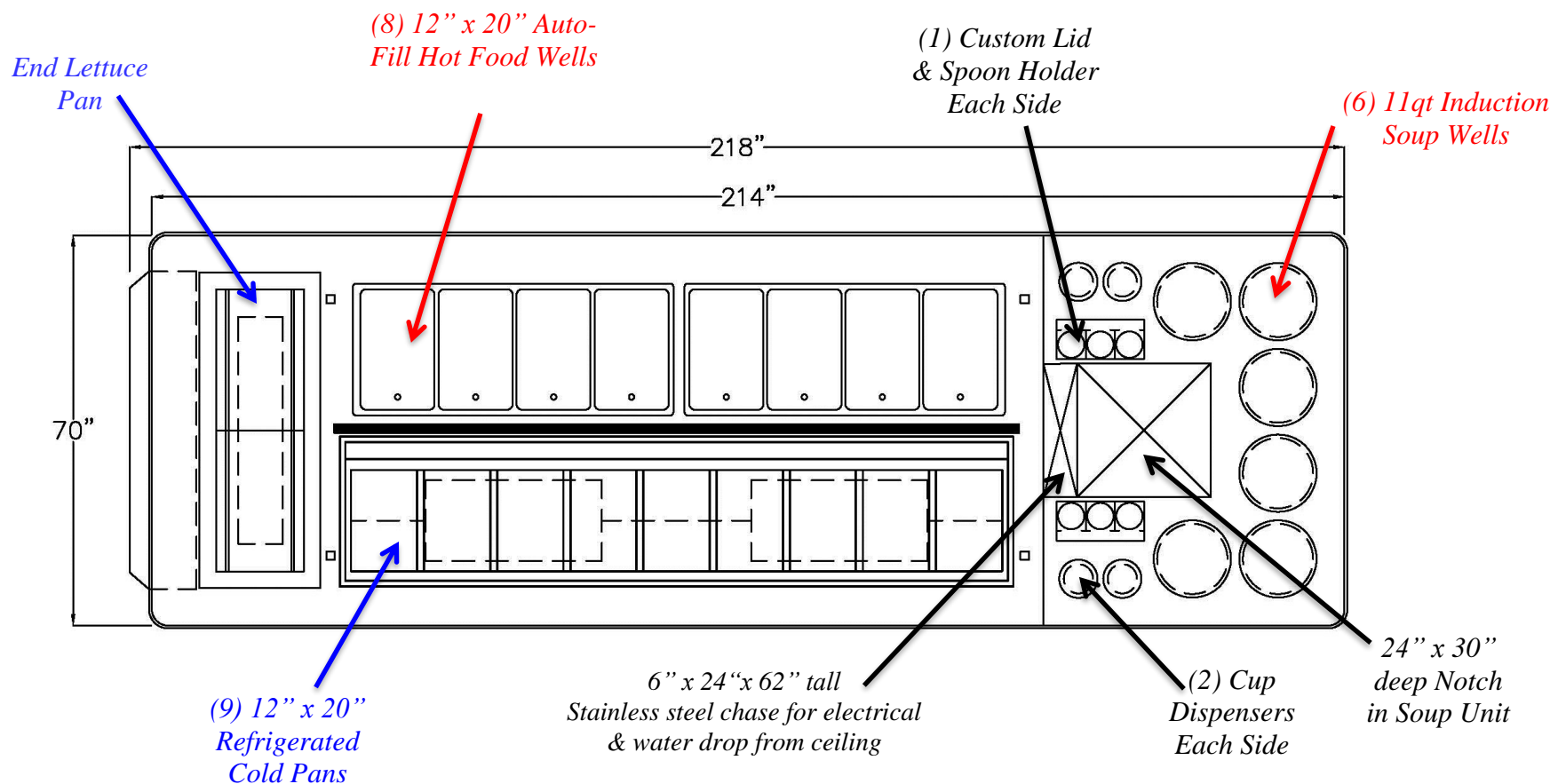
**HOT & COLD**

**Atlantic Food Bars**  
Hot & Cold Food  
Merchandising Equipment  
Specialists

888-MEAL-SOLUTIONS (888-632-5765)  
[www.atlanticfoodbars.com](http://www.atlanticfoodbars.com)

# Island *Soup, Salad & Hot Food Bar*

IP #ISHFB Series  
18'-2" L x 71" D x 54" H



Plan View

*Scroll down for more views*

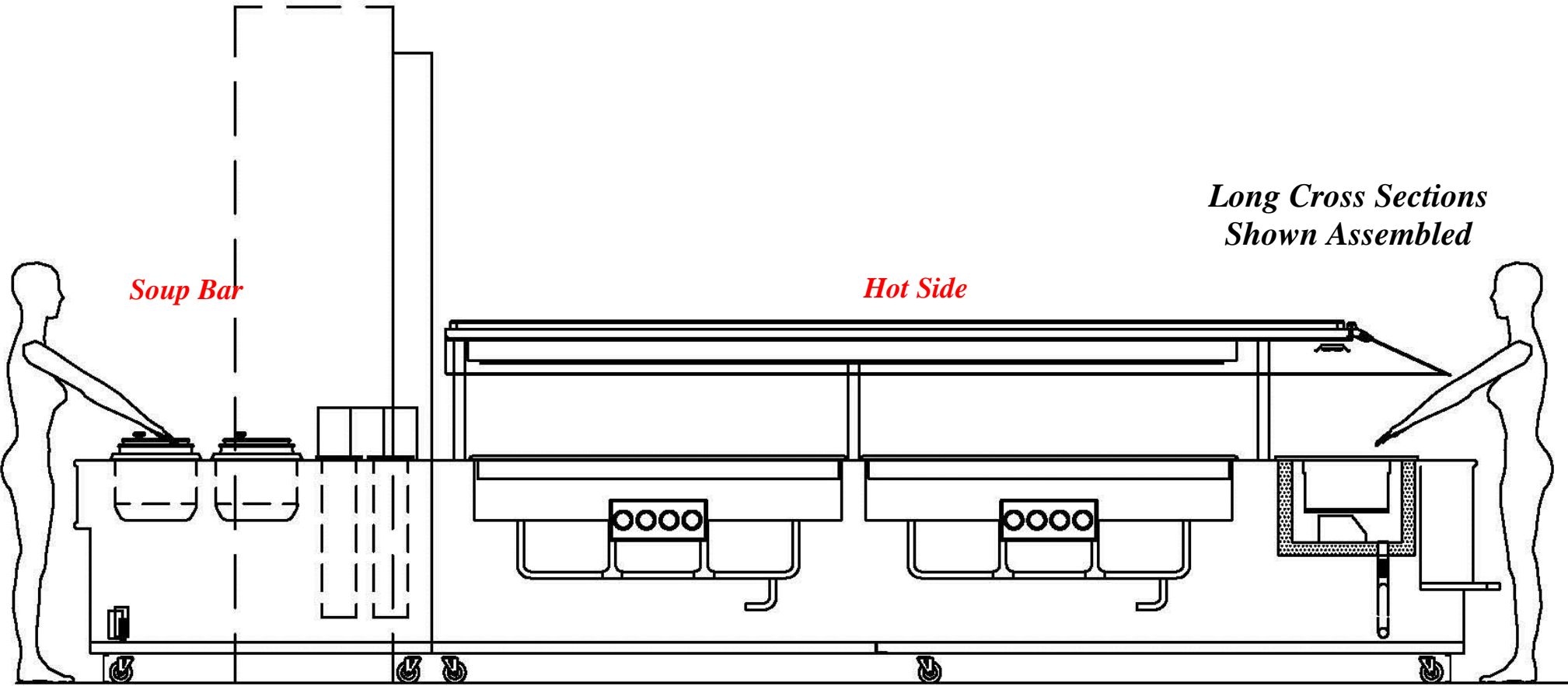


**HOT & COLD**  
**Atlantic Food Bars**  
Hot & Cold Food  
Merchandising Equipment  
Specialists

888-MEAL-SOLUTIONS  
(888-632-5765)  
[www.atlanticfoodbars.com](http://www.atlanticfoodbars.com)

# Island *Soup, Salad & Hot Food Bar*

IP #ISHFB Series  
18'-2" L x 71" D x 54" H



*Long Cross Sections  
Shown Assembled*

*Scroll down for more views*

**Celebrating 70  
Years in 2017!**



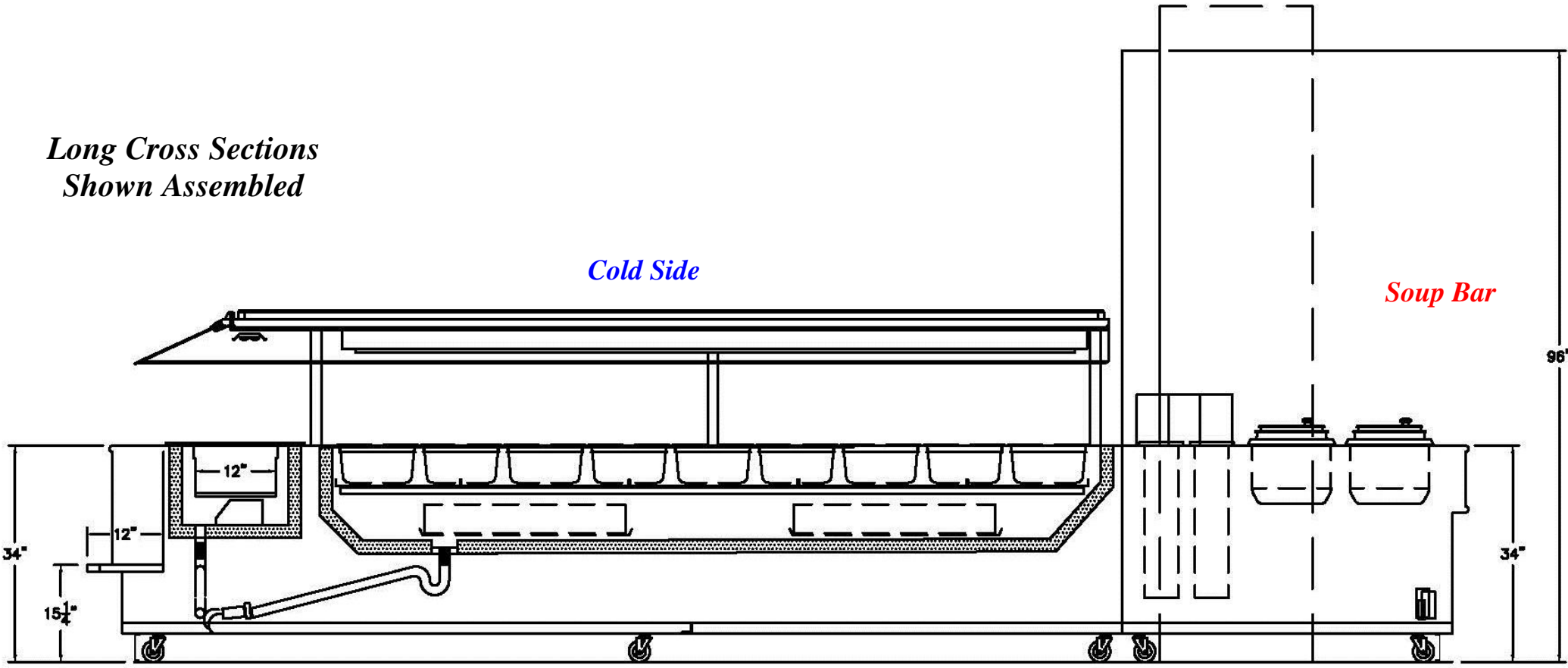
**HOT & COLD**  
**Atlantic Food Bars**  
**Hot & Cold Food**  
**Merchandising Equipment**  
**Specialists**

888-MEAL-SOLUTIONS  
(888-632-5765)  
[www.atlanticfoodbars.com](http://www.atlanticfoodbars.com)

# Island *Soup, Salad & Hot Food Bar*

IP #ISHFB Series  
18'-2" L x 71" D x 54" H

*Long Cross Sections  
Shown Assembled*



*Scroll down for more views*

**Celebrating 70  
Years in 2017!**

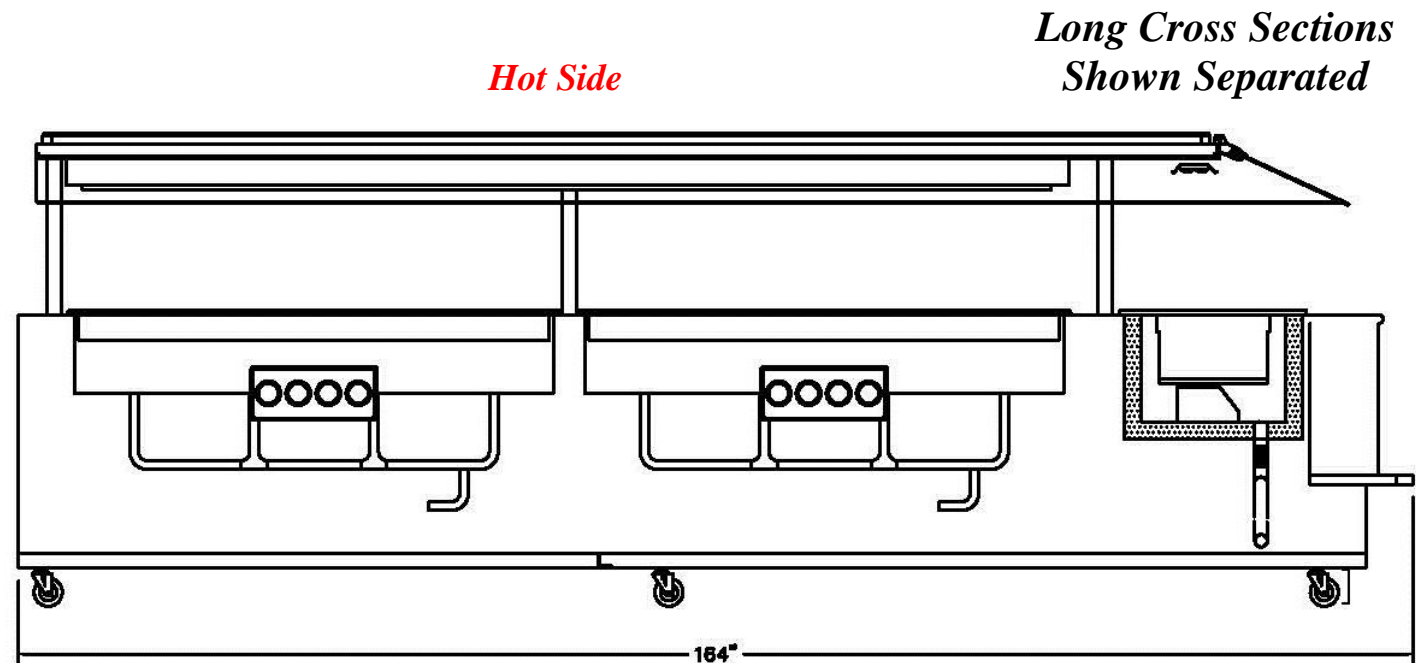
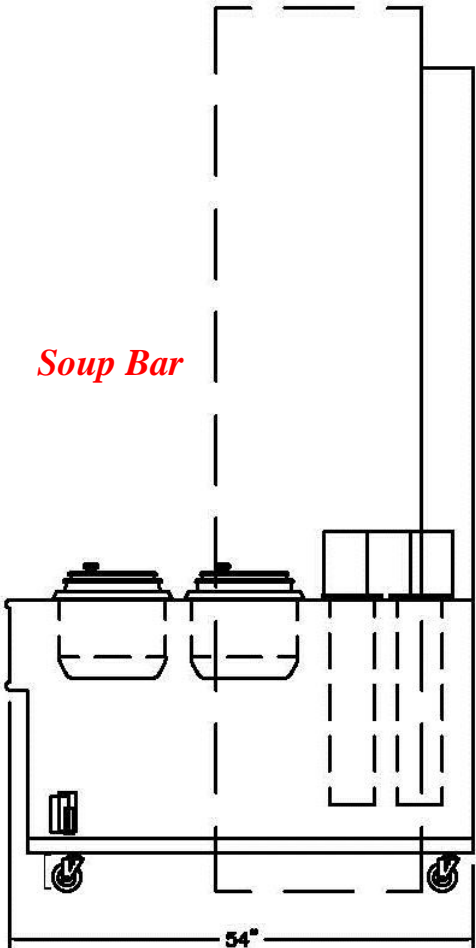


**HOT & COLD**  
**Atlantic Food Bars**  
**Hot & Cold Food**  
**Merchandising Equipment**  
**Specialists**

888-MEAL-SOLUTIONS  
(888-632-5765)  
[www.atlanticfoodbars.com](http://www.atlanticfoodbars.com)

# Island *Soup, Salad & Hot Food Bar*

IP #ISHFB Series  
18'-2" L x 71" D x 54" H



*Scroll down for more views*

**Celebrating 70  
Years in 2017!**



**HOT & COLD**  
**Atlantic Food Bars**  
**Hot & Cold Food**  
**Merchandising Equipment**  
**Specialists**

888-MEAL-SOLUTIONS  
(888-632-5765)  
[www.atlanticfoodbars.com](http://www.atlanticfoodbars.com)

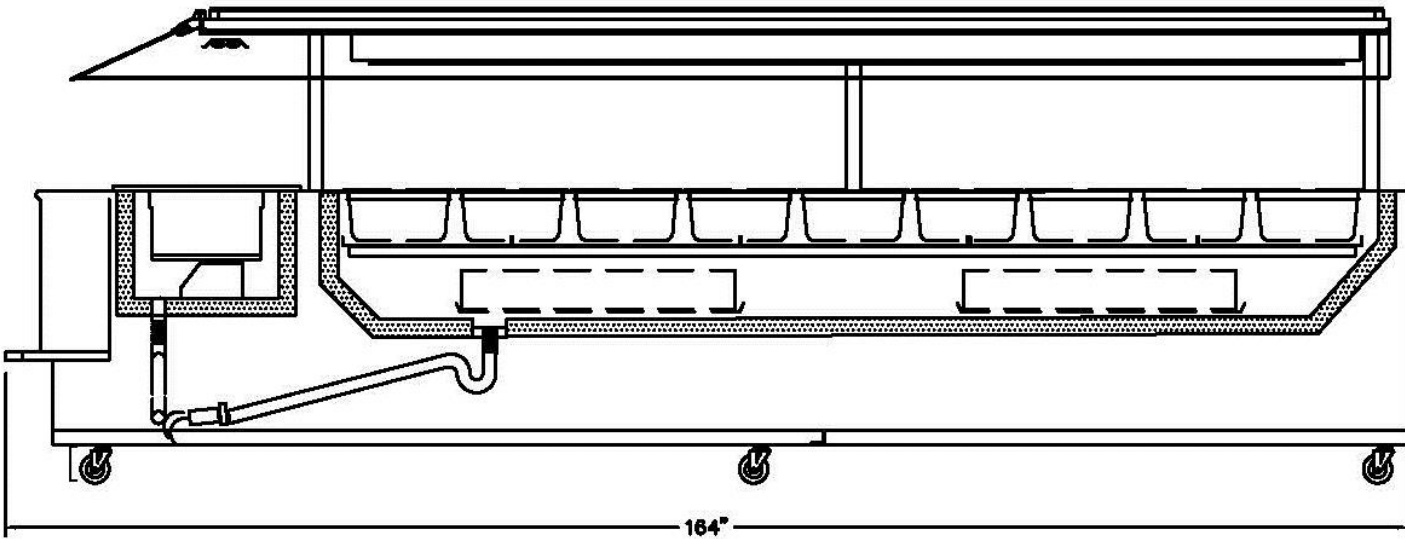


# Island *Soup, Salad & Hot Food Bar*

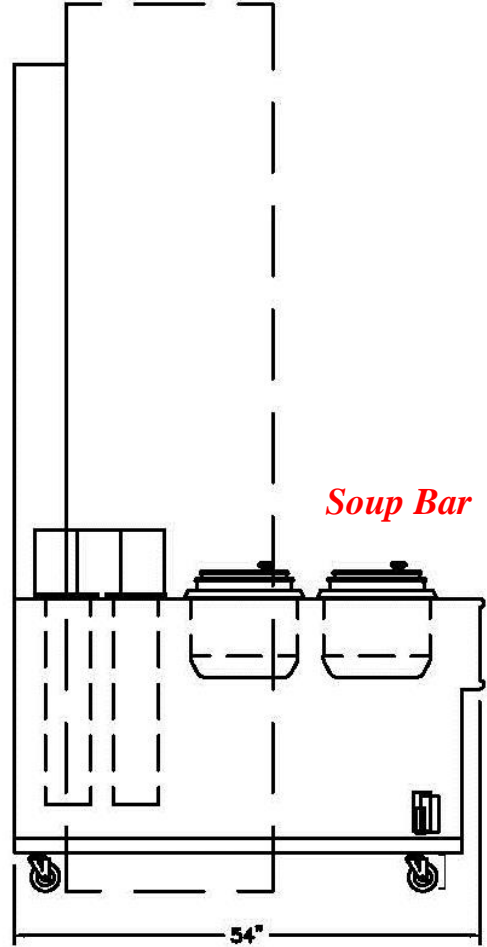
IP #ISHFB Series  
18'-2" L x 71" D x 54" H

*Long Cross Sections  
Shown Separated*

*Cold Side*



*Soup Bar*



*Scroll down for more views*

**Celebrating 70  
Years in 2017!**

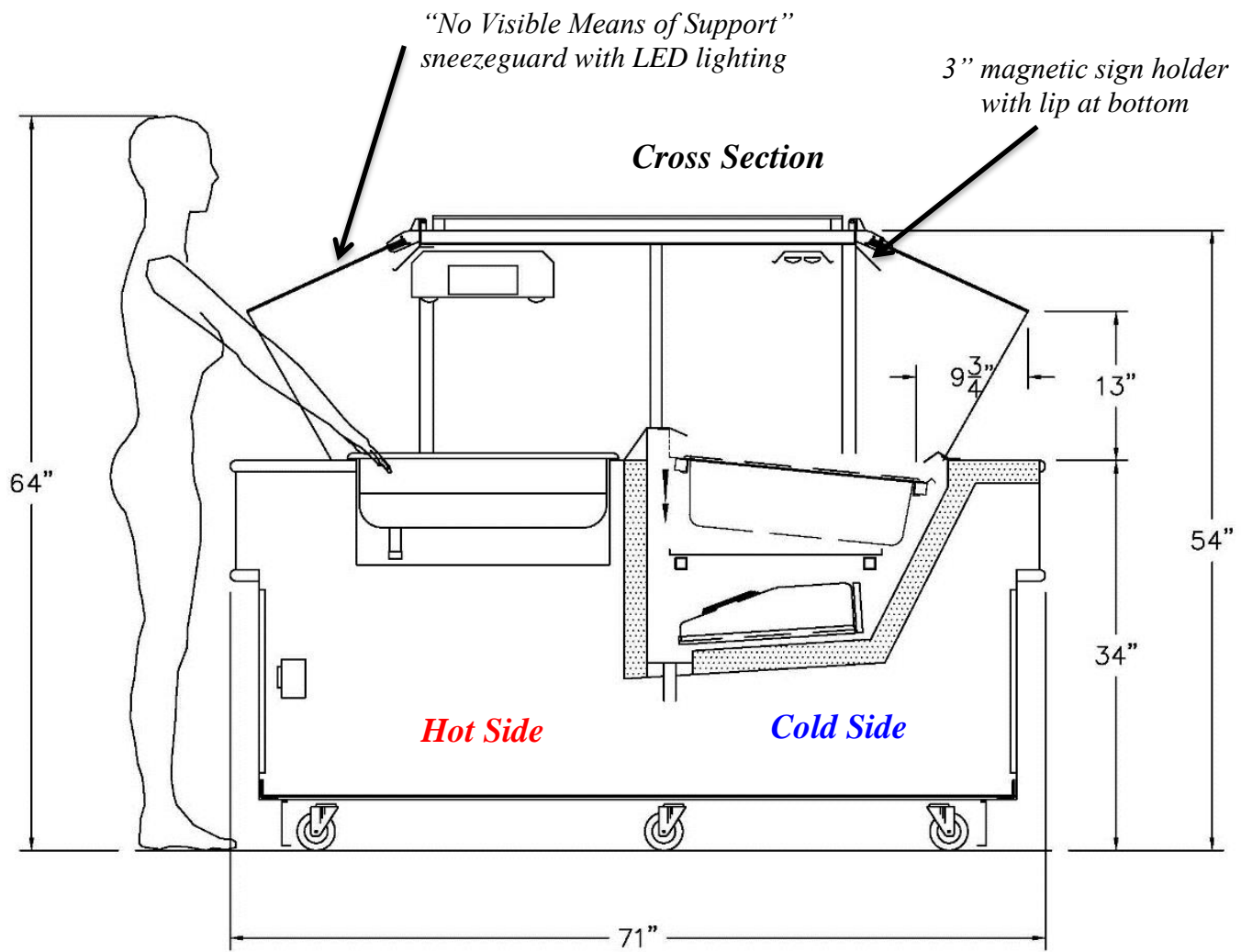


**HOT & COLD**  
**Atlantic Food Bars**  
**Hot & Cold Food**  
**Merchandising Equipment**  
**Specialists**

888-MEAL-SOLUTIONS  
(888-632-5765)  
[www.atlanticfoodbars.com](http://www.atlanticfoodbars.com)

# Island Soup, Salad & Hot Food Bar

IP #ISHFB Series  
 18'-2" L x 71" D x 54" H



IP CODE	DIMENSIONS L" X W" X H"	CAPACITY			REFRIGERATION BTUH @ +26°F EVAP	ELECTRICAL		
		HOT 12 x 20	COLD 12 x 20	11-QT SOUP		VOLTAGE	REMOTE AMPS- 3Ø	MCA
ISHFB13070-CPELP- HTAF-ILE-LB-SSC- VH	218 x 72 x 54	8	9	6	9,250	120/208	L1 = 41.5 L2 = 41.0 L3 = 39.0	51.9

Celebrating 70  
 Years in 2017!

**Atlantic Food Bars**  
 Hot & Cold Food  
 Merchandising Equipment  
 Specialists

888-MEAL-SOLUTIONS (888-632-5765)  
[www.atlanticfoodbars.com](http://www.atlanticfoodbars.com)