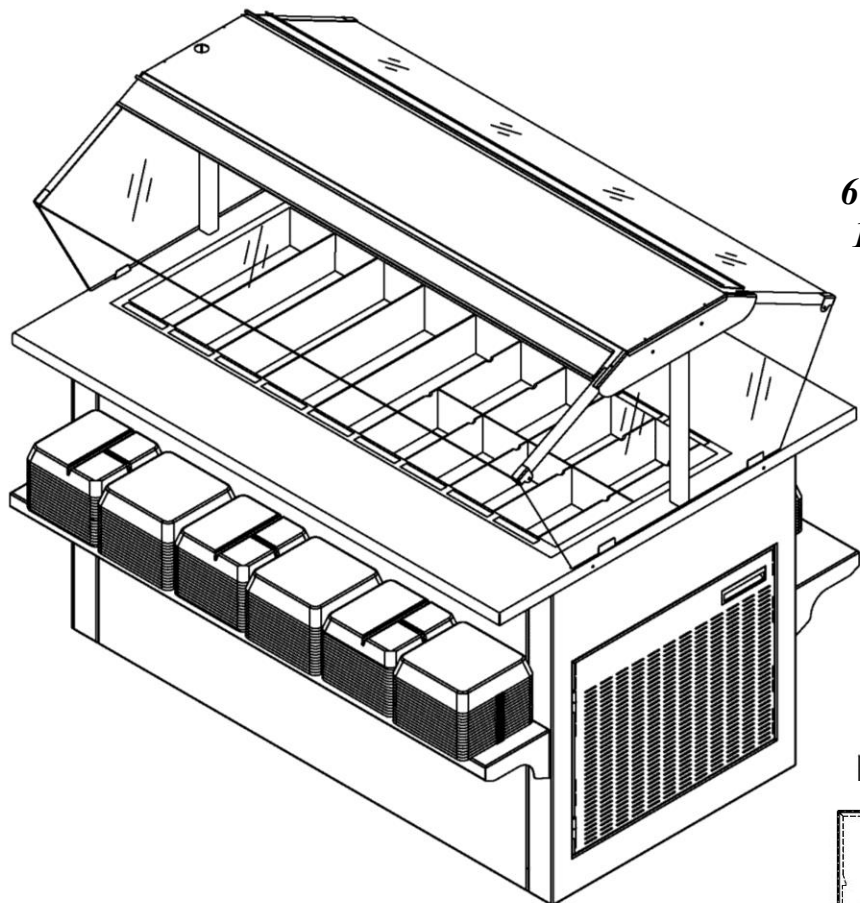


Mobile Refrigerated Salad/Olive/Condiment Bar with NSF7 Air Overflow Refrigeration System

IP # MRM6044-AOF4

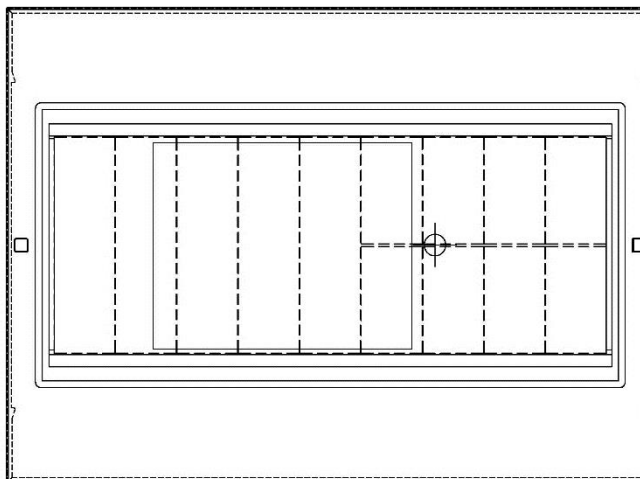
60" L x 44" D x 56" H (36" counter height)



Pan Package:

6 each half long pans x 4" deep
12 each quarter size x 4" deep
With NSF radius corners

Plan View



Scroll down for more views

Approval – Complete All Sections

Colors:

Body: Stainless Steel

Bumper: _____

Countertop: Stainless Steel

Refrigeration: Self Contained

Electric:

Voltage 120V

Phase: Single

Source: Ceiling _____ Floor _____

Delivery

Site: Loading Dock _____ Ground Level _____

Delivery hours: _____

Depth of case is 44" which will fit through narrowest space between delivery point and install location. Yes _____ No _____ If no – CALL US ASAP

Approval signature: _____

Date: _____

See last page for specifications table – your signature above verifies the installation site has the required power as shown

Celebrating 70
Years in 2017!

PREPARED

Atlantic Food Bars
Hot & Cold Food
Merchandising Equipment
Specialists

888-MEAL-SOLUTIONS (888-632-5765)
www.atlanticfoodbars.com

Mobile Refrigerated Salad/Olive/Condiment Bar with NSF7 Air Overflow Refrigeration System

IP # MRM6044-AOF4

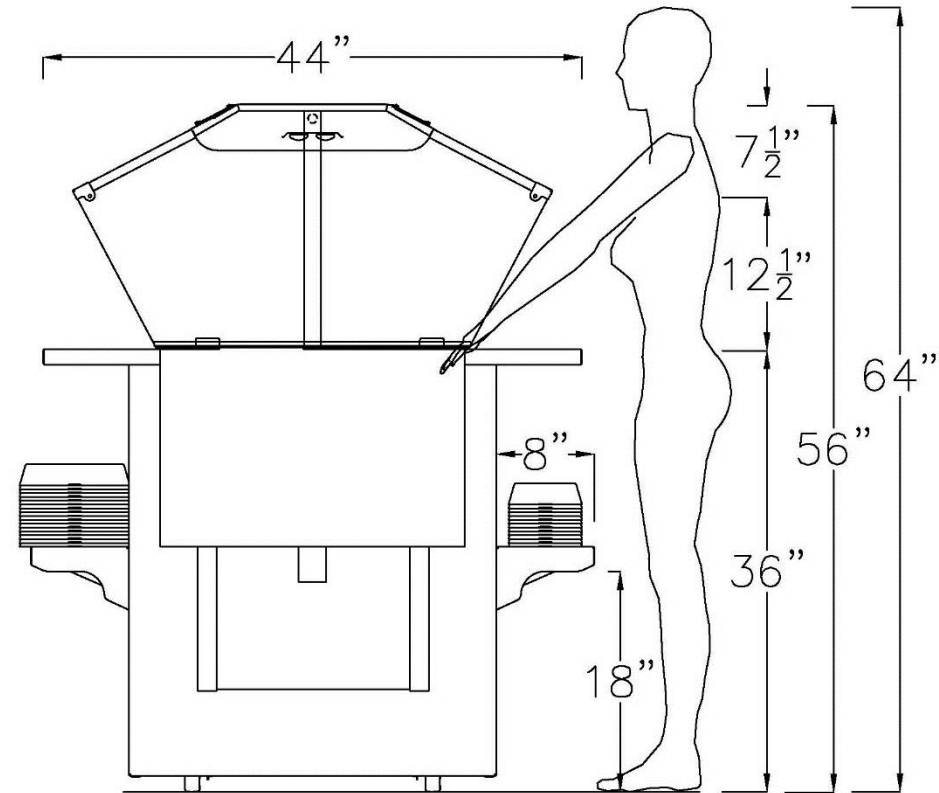
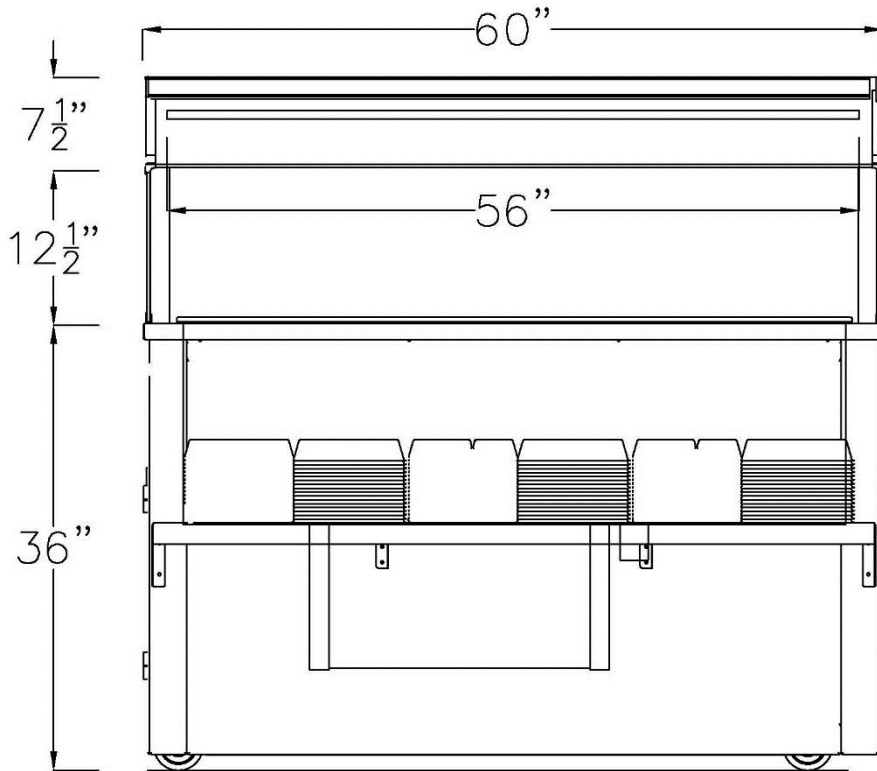
60" L x 44" D x 56" H (36" counter height)

Details per sign off on page 1 and specifications on this page

Approval signature: _____

Date: _____

Cross Sections



Internal Part #	Custom Description	Dimensions	Voltage	Self-Contained Refrigeration	Full Size Pan Capacity
				Amps 1 Ph	
MRM6044-AOF4	3-pan Mobile Refrigerated Merchandiser	60" L x 44" D x 56" H	120	15.9	3

Comes with NEMA #5-20P cord & plug

Celebrating 70 Years in 2017!

PREPARED

Atlantic Food Bars
Hot & Cold Food Merchandising Equipment Specialists

888-MEAL-SOLUTIONS (888-632-5765)
www.atlanticfoodbars.com

Custom Stainless Steel Food Pans

HEAVY DUTY

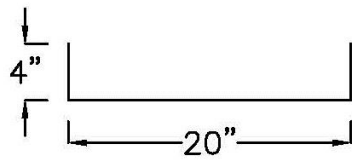
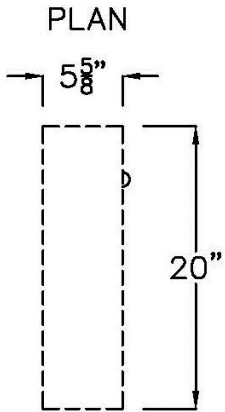
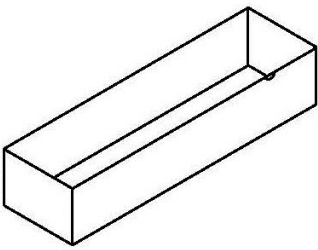
16 Gauge 304 Series

Fully Welded

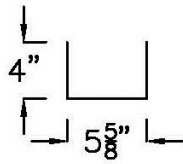
Approval

Approved: _____

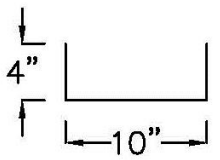
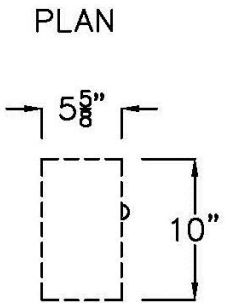
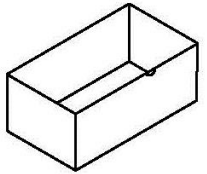
Date: _____



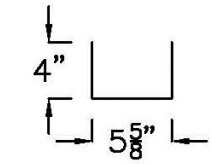
LONG CROSS



SHORT CROSS



LONG CROSS



SHORT CROSS

Size	Quantity	Flanges	NSF radius corners
Half long x 4" deep	6	NONE	YES
Quarter size x 4" deep	12	NONE	YES



Atlantic Food PANS
Hot & Cold Food
Merchandising Equipment
Specialists

888-MEAL-SOLUTIONS
 (888-632-5765)
www.atlanticfoodbars.com