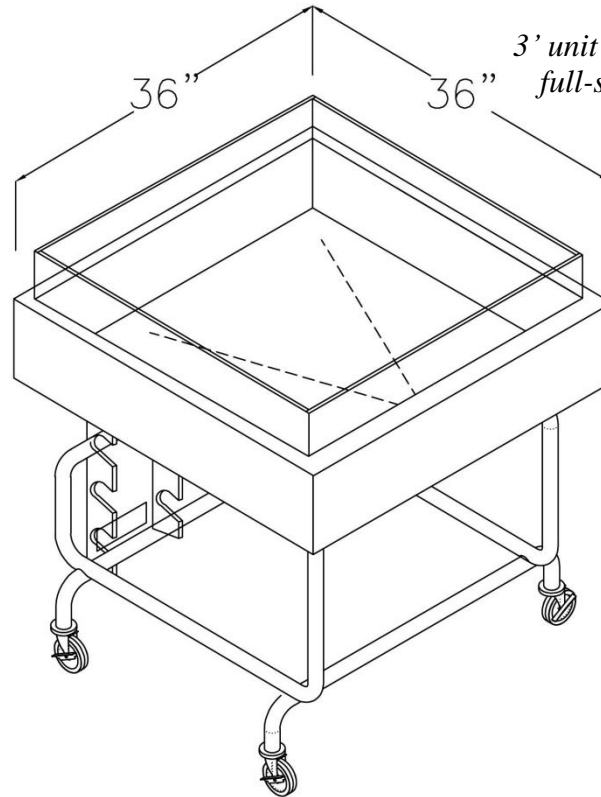
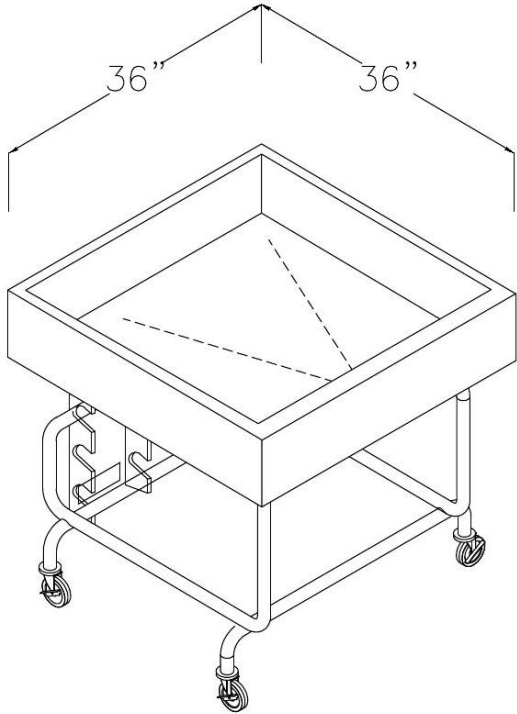
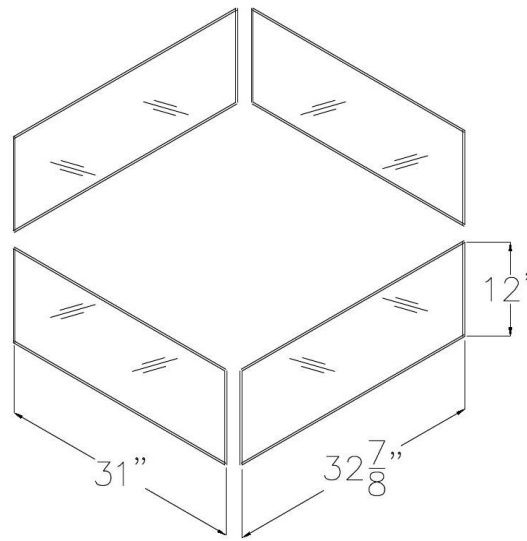
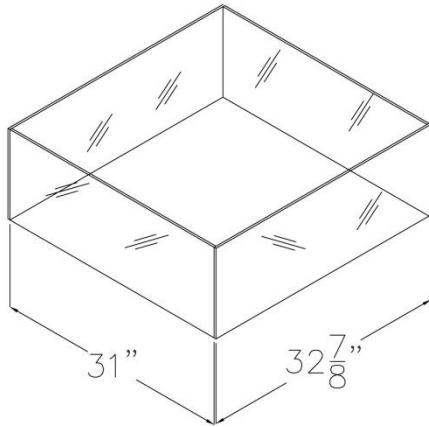


36" Modular Mobile Ice Table

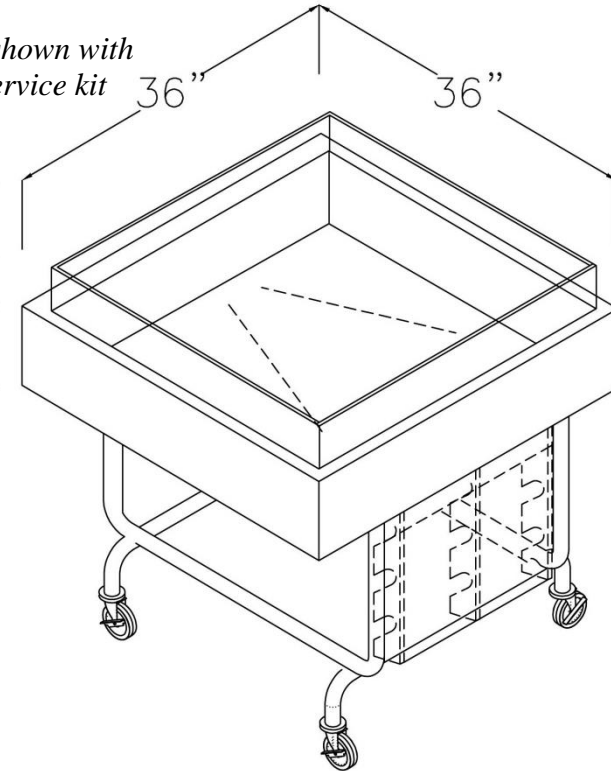
With Self-Service Kit

IP #MIT3636M-SSKT3

36" L x 36" D x 34" H (base), 39" H (top of Self-Service Kit)



3' unit shown with full-service kit



Atlantic Food Bars
Hot & Cold Food
Merchandising Equipment
Specialists

888-MEAL-SOLUTIONS
(888-632-5765)
www.atlanticfoodbars.com