

72" Tall Four Level Hot Packaged Food Merchandiser

Vertical Profile

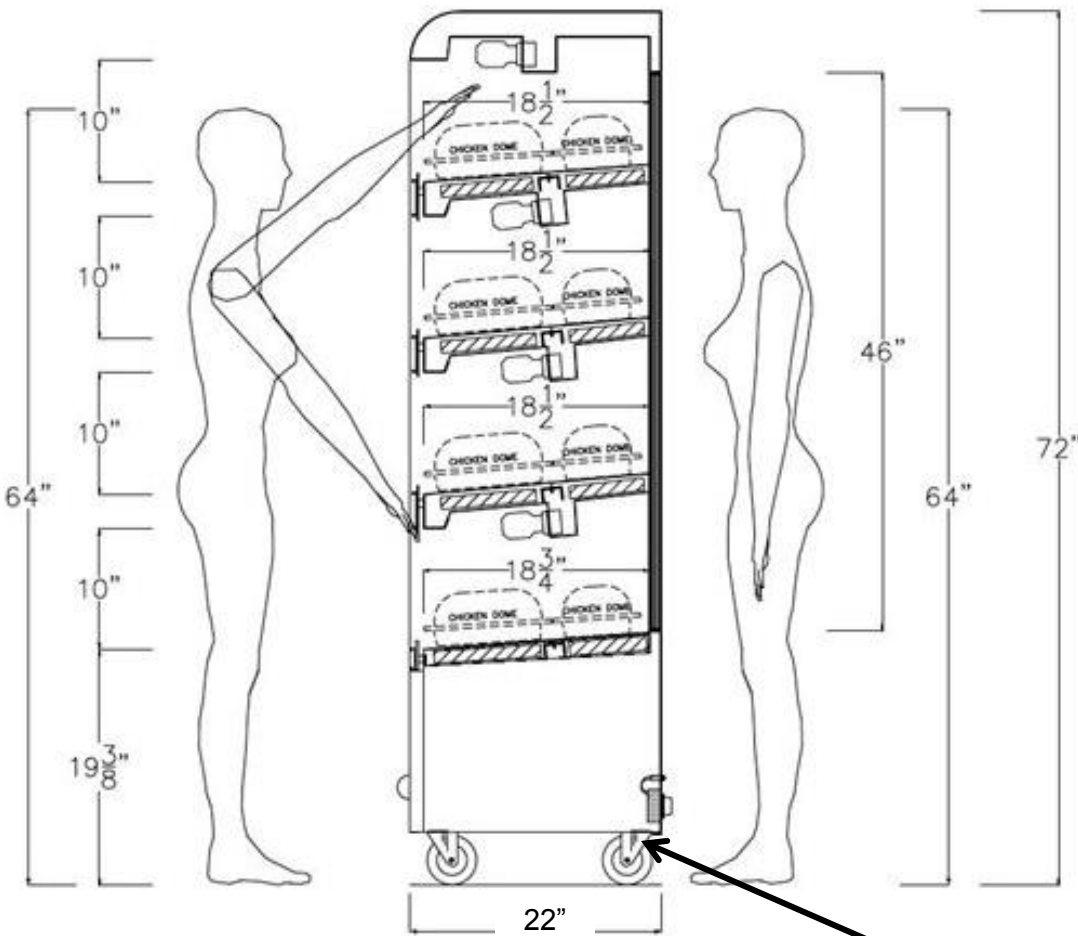
IP #WR4822T-F-AS-CE-SRM

50" L x 23" D x 72" H

Details per sign off on page 1 and specifications on last page

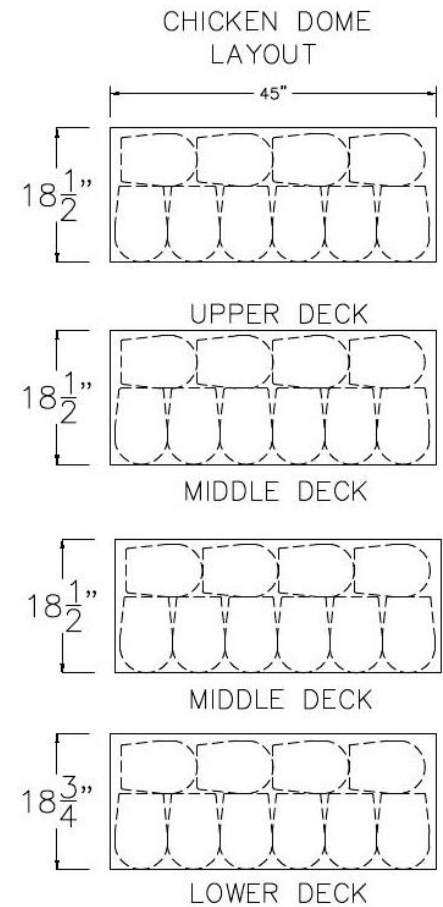
Approval signature: _____

Date: _____



Cross Section

Cord and plug to come out of base of case in center toward rear



**SCROLL DOWN –
PAGES 3-4 SHOW
ADDITIONAL
VIEWS**



Atlantic Food Bars

Your **HOT & COLD** Food Equipment Specialist !

888-MEAL-SOLUTIONS (888-632-5765)

www.atlanticfoodbars.com

72" Tall Four Level Hot Packaged Food Merchandiser

Vertical Profile

IP #WR4822T-F-AS-CE-SRM
50" L x 23" D x 72" H

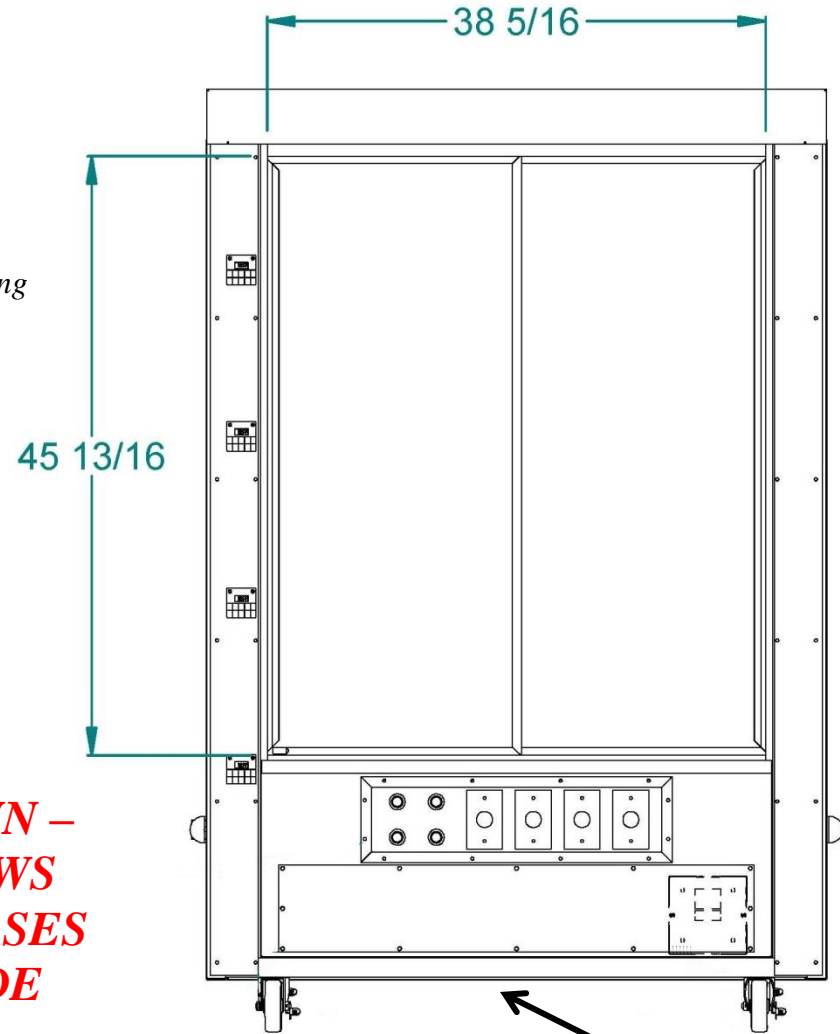
Bakersfield, CA
McKinney, TX
Ft. Worth, TX
Coeur D' Alene, ID
Norco, CA

Details per sign off on page 1 and specifications on last page

Approval signature: _____

Date: _____

Rear door opening dimensions



**SCROLL DOWN –
PAGE 4 SHOWS
BOTH HOT CASES
SIDE-BY-SIDE**

Rear Elevation

Cord and plug to come out of base of case in center toward rear

Internal Part #	Custom Description	Dimensions	Voltage	Amps 1 Ph	Rotisserie Chicken Capacity
WR4822T-F-AS-CE-SRM	48" Four Level Hot Packaged Food Merchandiser	50" L x 23" D x 72" H	120 / 208	25.6	40

Unit will come with NEMA #14-50 cord and plug



Atlantic Food Bars
Your **HOT & COLD** Food Equipment Specialist!
888-MEAL-SOLUTIONS (888-632-5765)

www.atlanticfoodbars.com

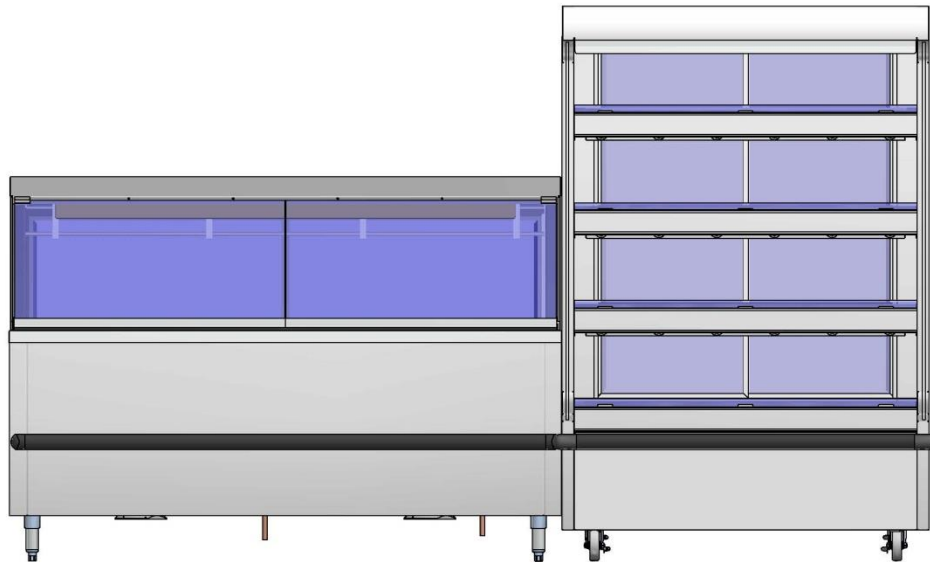
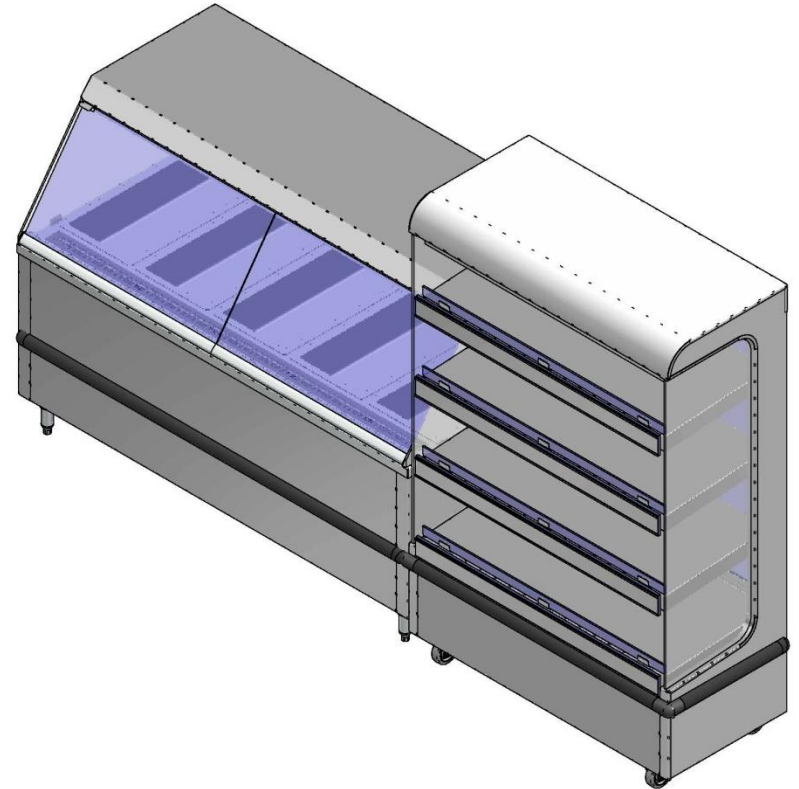
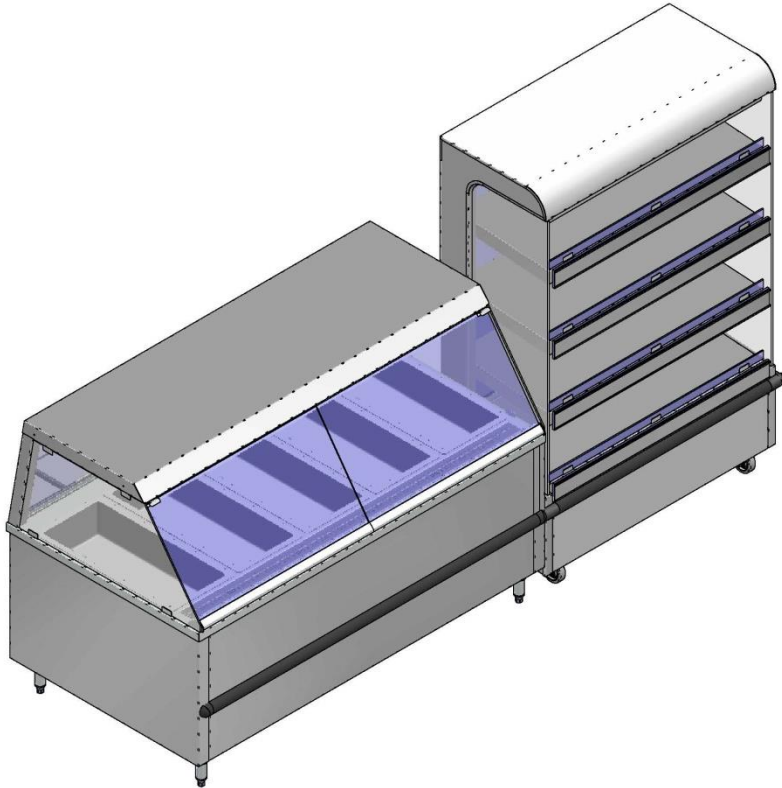
Hot Cases

IP #SHFB7240-WIN and
IP #WR4822T-F-AS-CE-SRM

Details per sign off on page 1 and
specifications on last page

Approval signature: _____

Date: _____



Atlantic Food Bars
Your **HOT & COLD** Food Equipment Specialist !
888-MEAL-SOLUTIONS (888-632-5765)
www.atlanticfoodbars.com