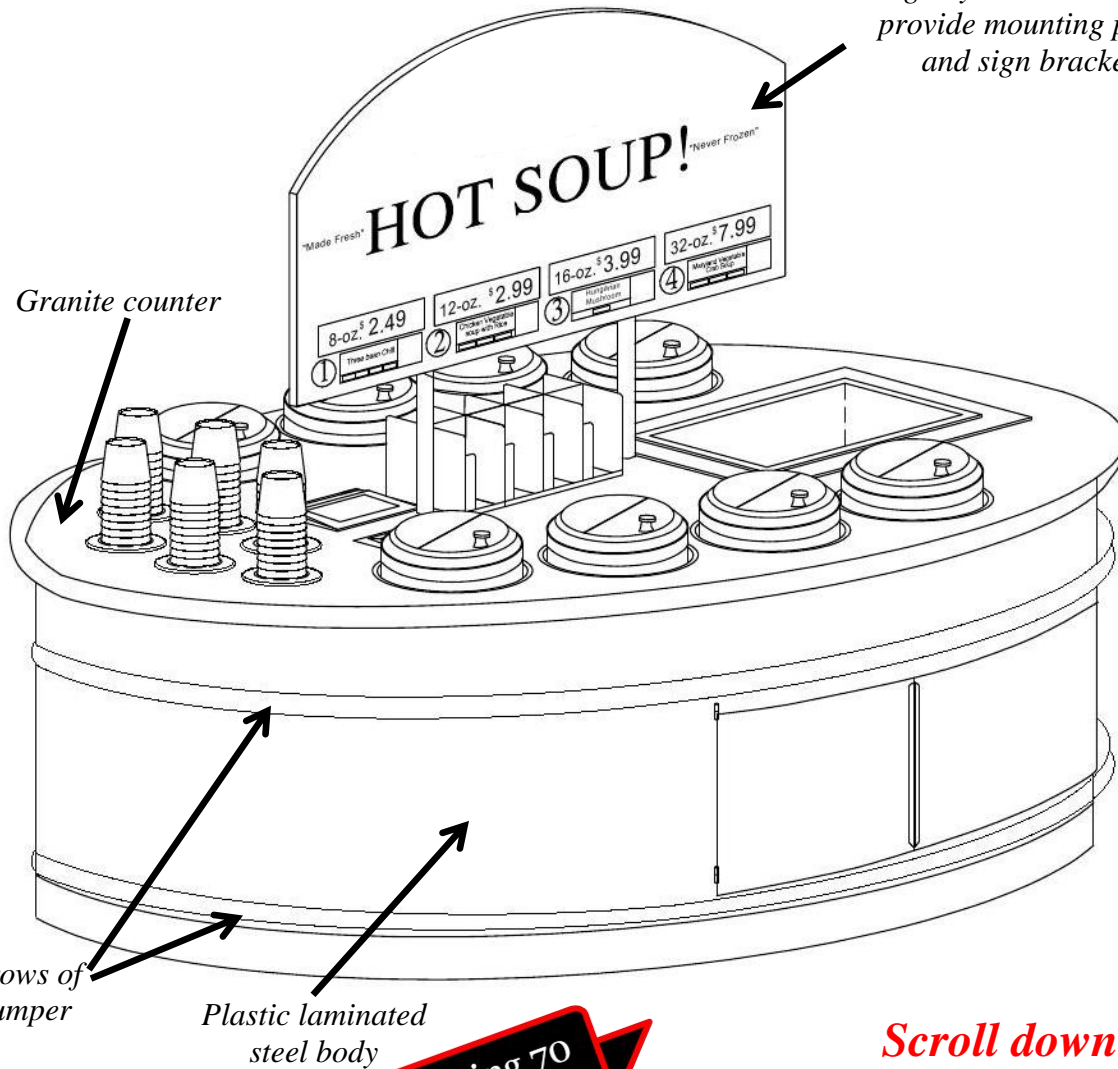


# 8 Well Oval Soup Island

with Refrigerated Cold Pan and  
Elevated Sign

IP #OSB9960-ES-GC-ISW-LB

99" L x 60" D x 34" H



Sign by Others. AFB to  
provide mounting posts  
and sign bracket

## Approval – Complete All Sections

### Colors:

Body Laminate: \_\_\_\_\_  
Wood grain to run  horizontally or  vertically  
(check one)  
Bumper: black  
Countertop: Granite - \_\_\_\_\_  
Kickplate: \_\_\_\_\_

### Electric:

Voltage: 120V  
Phase: Single  
Source: Floor

### Delivery

Site: Loading Dock  Ground Level

Delivery hours: \_\_\_\_\_

Depth of case is 60" which will fit through narrowest space  
between delivery point and install location

Yes  No  If no – CALL US ASAP

Approval signature: \_\_\_\_\_

Date: \_\_\_\_\_

See last page for specifications table – your signature  
above verifies the installation site has the required power

Scroll down  
for more views

Celebrating 70  
Years in 2017!



**Atlantic SOUP Bars**  
Soup Merchandising  
Equipment Specialists

888-MEAL-SOLUTIONS  
(888-632-5765)  
[www.atlanticfoodbars.com](http://www.atlanticfoodbars.com)

# 8 Well Oval Soup Island

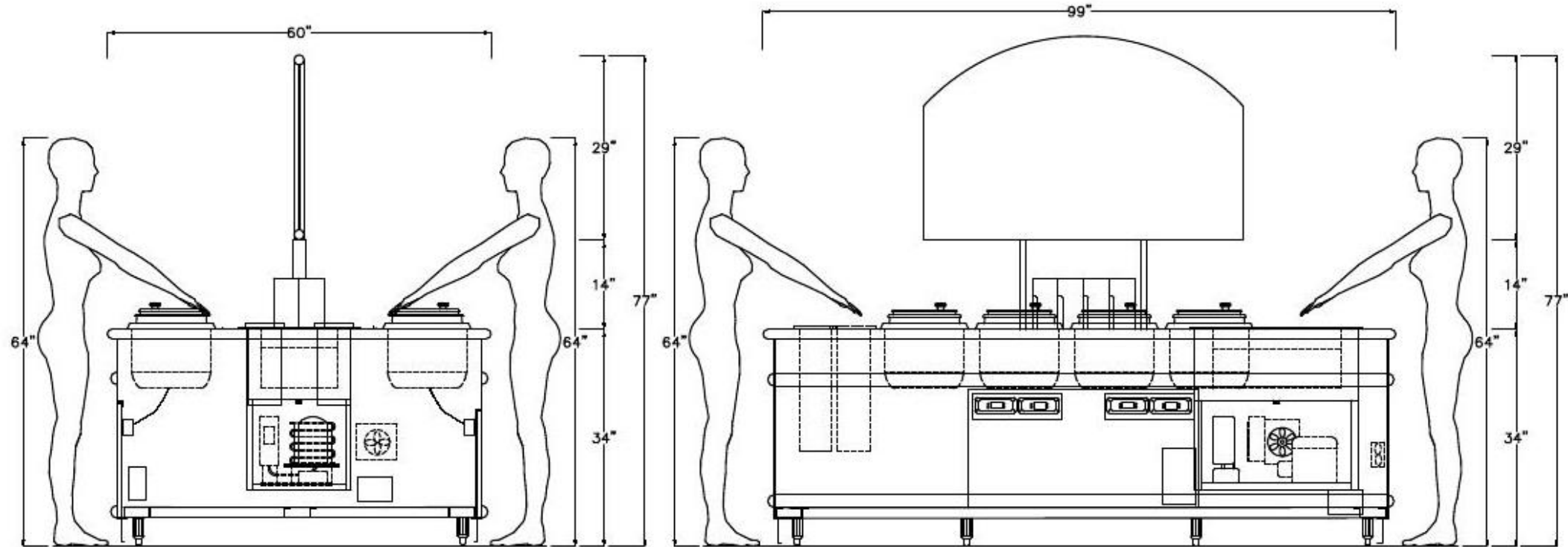
with Refrigerated Cold Pan and  
Elevated Sign

IP #OSB9960-ES-GC-ISW-LB  
99" L x 60" D x 34" H

Details per sign off on page 1 and  
specifications on last page

Approval signature: \_\_\_\_\_

Date: \_\_\_\_\_



*Cross Section - short*

*Cross Section - long*

*Scroll down for more views*

Celebrating 70  
Years in 2017!



**Atlantic** SOUP Bars  
Soup Merchandising  
Equipment Specialists

888-MEAL-SOLUTIONS  
(888-632-5765)  
[www.atlanticfoodbars.com](http://www.atlanticfoodbars.com)

# 8 Well Oval Soup Island

with Elevated Sign

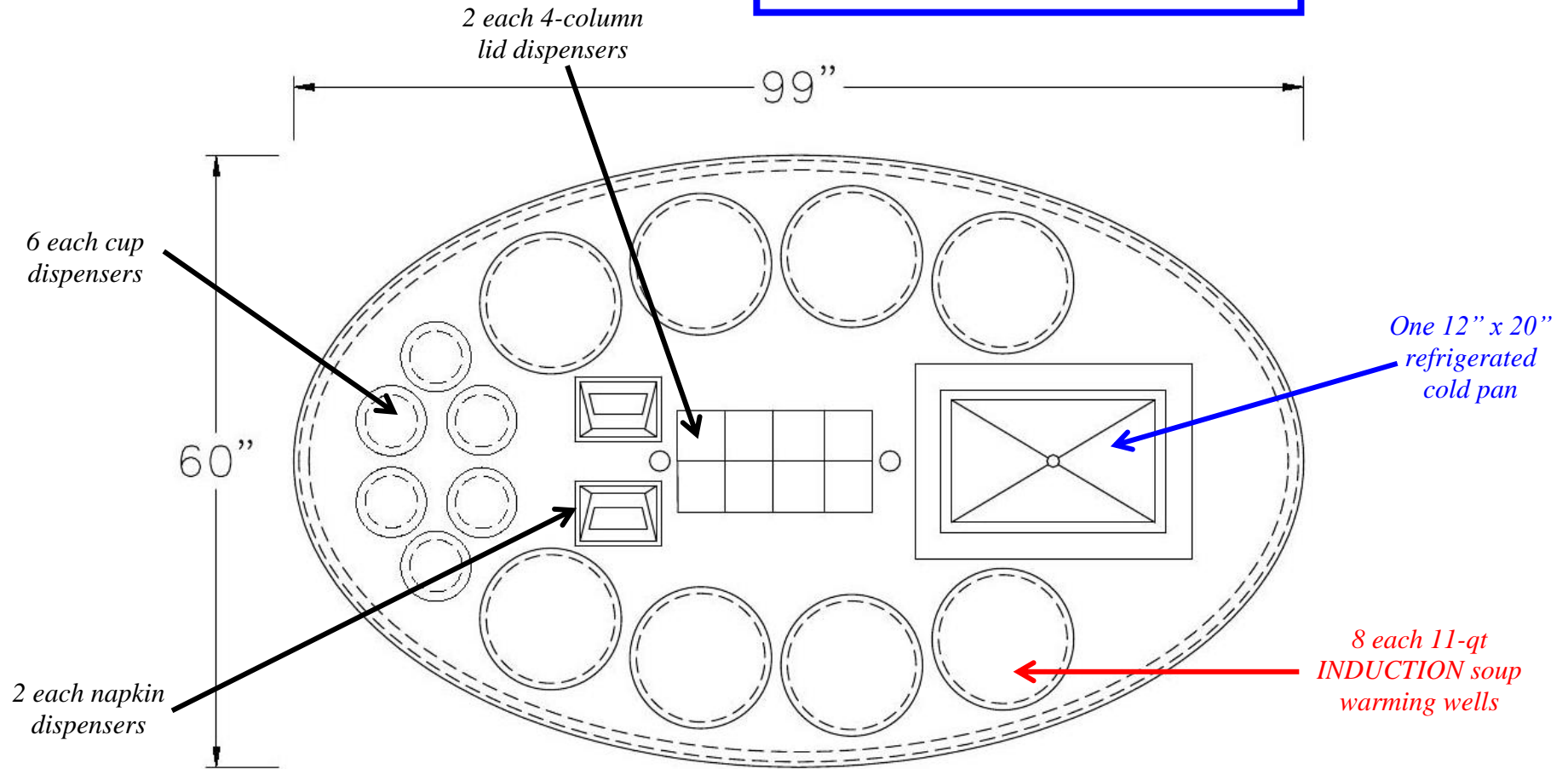
IP #OSB9960-ES-GC-ISW-LB

99" L x 60" D x 34" H

Details per sign off on page 1 and specifications on last page

Approval signature: \_\_\_\_\_

Date: \_\_\_\_\_



Plan View

IP CODE	DIMENSIONS L" X W" X H"	CAPACITY	ELECTRICAL			
		11-QT SOUP	VOLTAGE	AMPS	PLUG	MCA
OSB9960-ES-GC-ISW-LB	99 x 60 x 54	8	120	26.0 - 1Ø	-	32.5



**Atlantic SOUP Bars**  
**Soup Merchandising**  
**Equipment Specialists**

888-MEAL-SOLUTIONS (888-632-5765)  
[www.atlanticfoodbars.com](http://www.atlanticfoodbars.com)