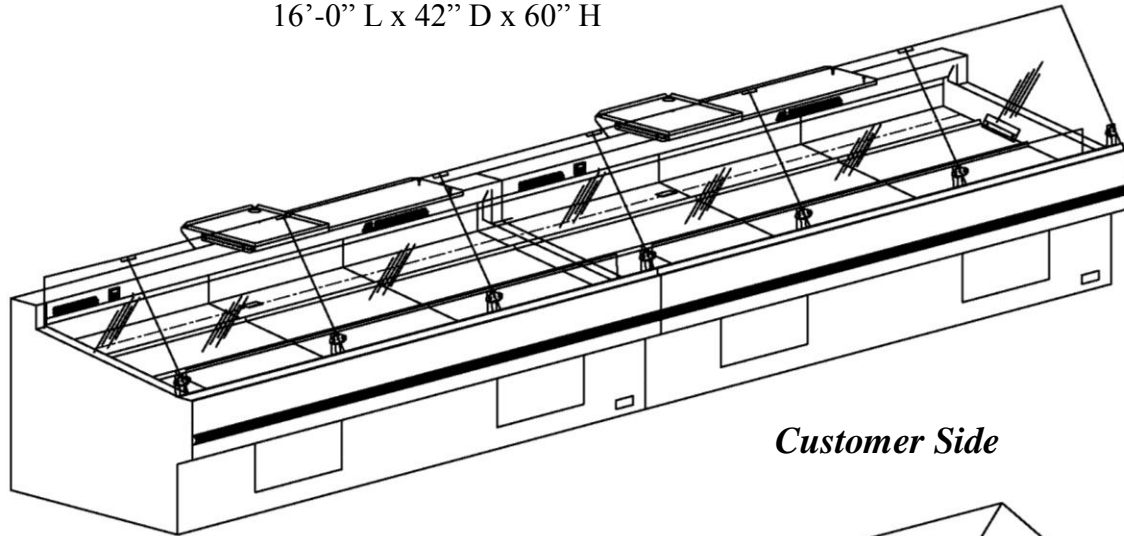


# Two each 8' Full Service Refrigerated Fresh Seafood Merchandisers

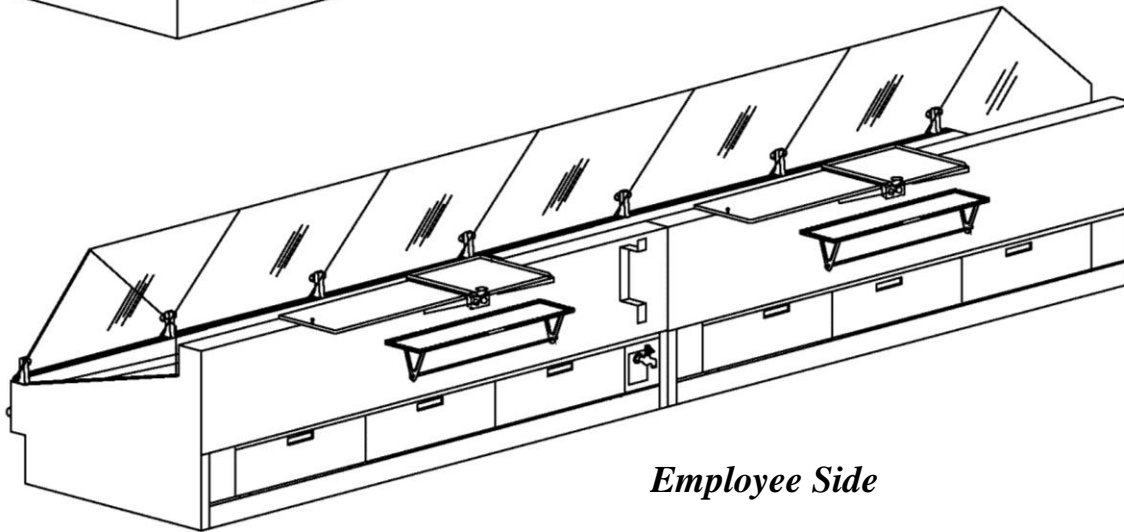
With Air Overflow Refrigeration System

IP #FSCN9642-AWD-CSCB-CWP-LED-MST-SOH

16'-0" L x 42" D x 60" H



*Customer Side*



*Employee Side*

*Scroll down for more views*

## Approval – Complete All Sections

### Colors:

Body: Stainless Steel

Bumper: Black

Refrigeration: Remote - Refrigerant \_\_\_\_\_

### Electric:

Voltage: 120V

Phase: Single

Source: Floor

### Delivery

Site: Loading Dock \_\_\_ Ground Level \_\_\_

Delivery hours: \_\_\_\_\_

Depth of case is 42" which will fit through narrowest space between delivery point and install location. Yes \_\_\_ No \_\_\_ If no – CALL US ASAP

Approval signature: \_\_\_\_\_

Date: \_\_\_\_\_

See last page for specifications table – your signature above verifies the installation site has the required power as shown



**SEA**  
**Atlantic Food Bars**  
Seafood Merchandising  
Equipment Specialists

888-MEAL-SOLUTIONS  
(888-632-5765)  
[www.atlanticfoodbars.com](http://www.atlanticfoodbars.com)

Celebrating 70  
Years in 2017!

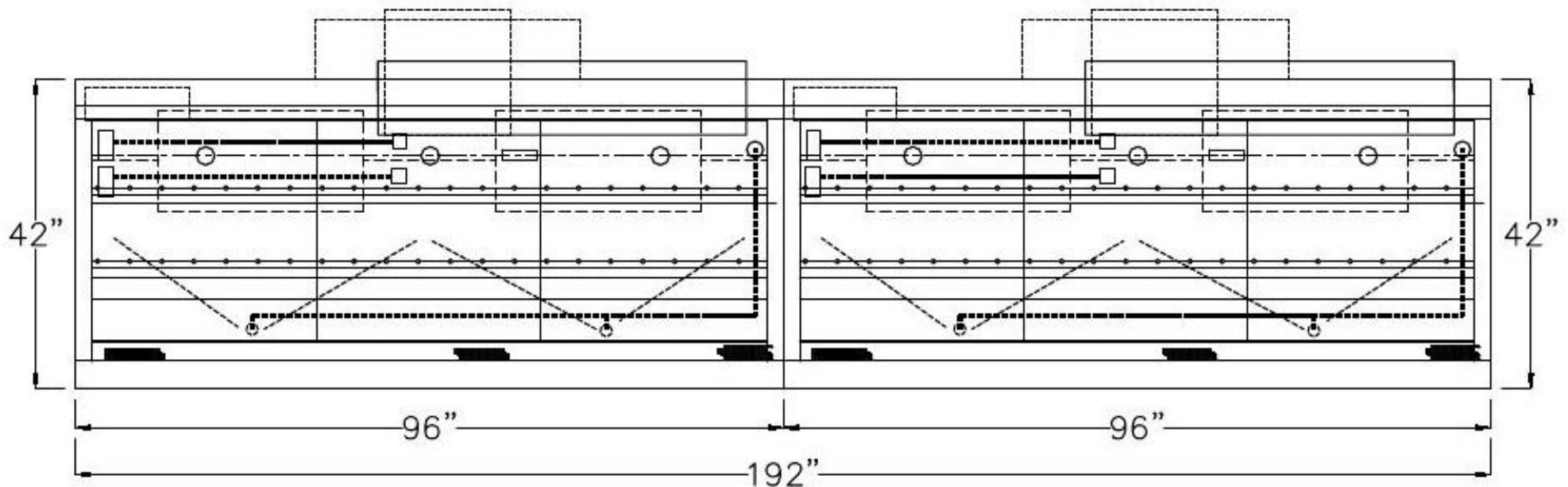
# Two each 8' Full Service Refrigerated Fresh Seafood Merchandisers

With Air Overflow Refrigeration System  
IP #FSCN9642-AWD-CSCB-CWP-LED-MST-SOH  
16'-0" L x 42" D x 60" H

Details per sign off on page 1 and  
specifications on last page

Approval signature: \_\_\_\_\_

Date: \_\_\_\_\_



Plan View

*Scroll down for more views*



**SEA**  
**Atlantic Food Bars**  
**Seafood Merchandising**  
**Equipment Specialists**

888-MEAL-SOLUTIONS  
(888-632-5765)  
[www.atlanticfoodbars.com](http://www.atlanticfoodbars.com)

Celebrating 70  
Years in 2017!

# Two each 8' Full Service Refrigerated Fresh Seafood Merchandisers

With Air Overflow Refrigeration System

IP #FSCN9642-AWD-CSCB-CWP-LED-MST-SOH

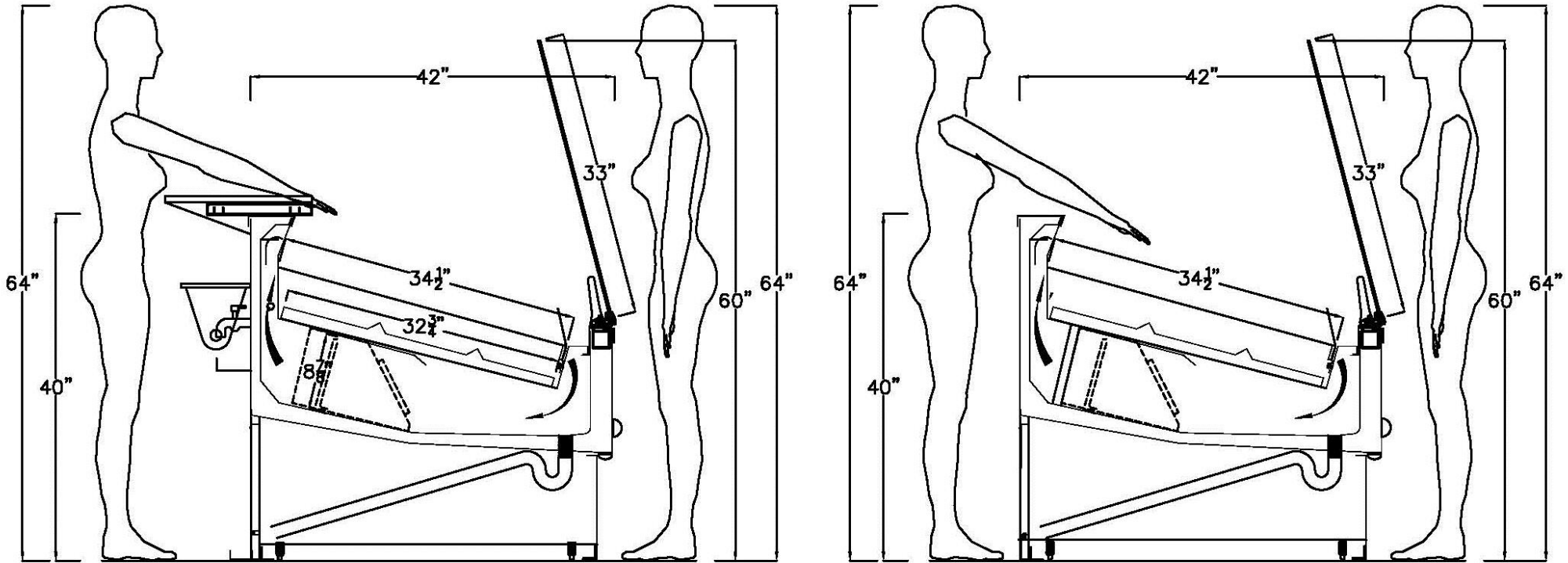
16'-0" L x 42" D x 60" H

Details per sign off on page 1 and  
specifications on last page

Approval signature: \_\_\_\_\_

Date: \_\_\_\_\_

## Cross Sections



Internal Part #	Custom Description	Dimensions	Voltage	Amps 1 Ph	Electrical	BTU
FSCN9642-AWD-CSCB - CWP-LED-MST-SOH	8' Fresh Seafood Merchandiser - EA	8'-0" L x 42" D x 60" H	120	5.33	1 each 120V 20 Amp duplex receptacle for scale; 1 each 120V 15 Amp circuits for fans	6,000
Suction temp = 20°						

**Celebrating 70  
Years in 2017!**

**SEA**  
**Atlantic Food Bars**  
Seafood Merchandising  
Equipment Specialists

888-MEAL-SOLUTIONS (888-632-5765)  
www.atlanticfoodbars.com