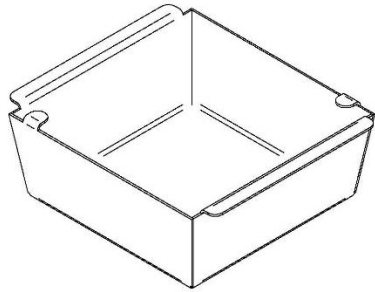


Custom Stainless Steel Food Pans

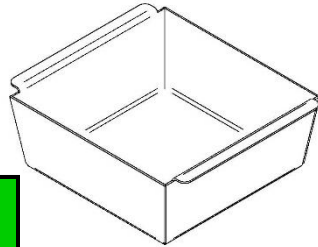
HEAVY DUTY

16 Gauge 304 Series

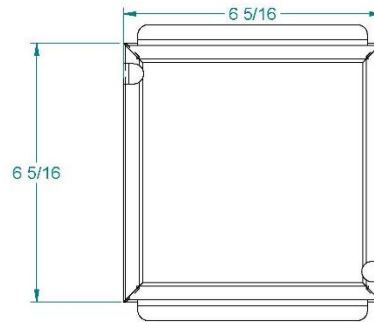
Fully Welded



2 WITH tabs



10 with NO tabs

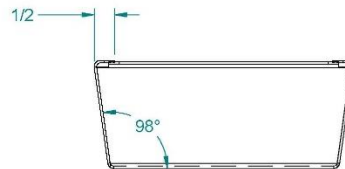
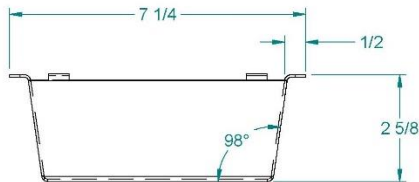


Approval signature: _____

Date: _____

ITEM #1

6-5/16" x 6-5/16" x
2.5" D



Size	Quantity	Flanges on short ends	Finger Tab
6-5/16" x 6-5/16" x 2 1/2" D	12	On all 12 pans	2 on 2 pans

Celebrating 70
Years in 2017!



Atlantic Food PANS
Hot & Cold Food
Merchandising Equipment
Specialists

Look Ma -
No Flange !!!

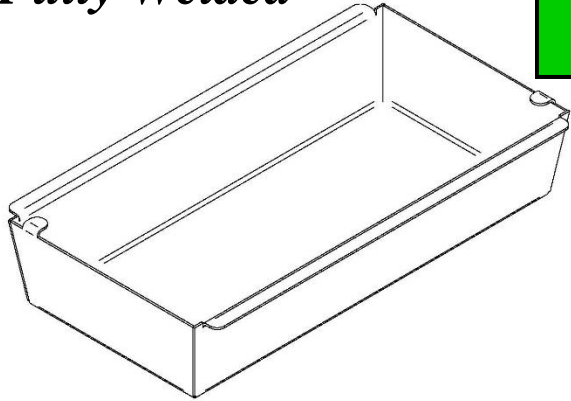
888-MEAL-SOLUTIONS
(888-632-5765)
www.atlanticfoodPANS.com

Custom Stainless Steel Food Pans

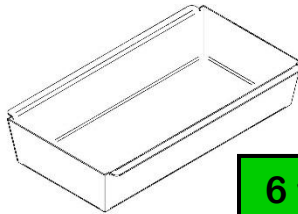
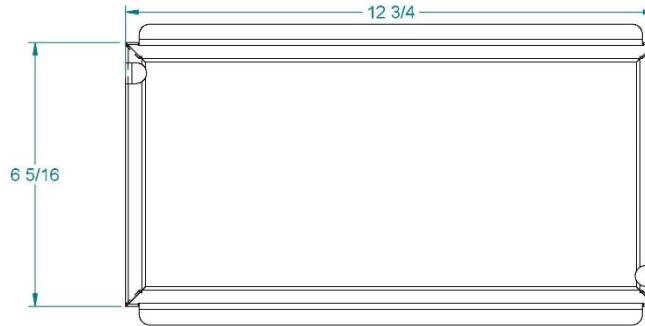
HEAVY DUTY

16 Gauge 304 Series

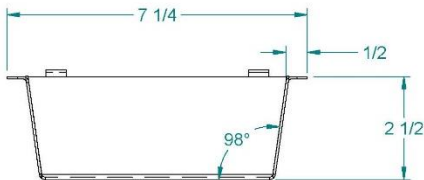
Fully Welded



6 WITH tabs



6 with NO tabs



Approval signature: _____
 Date: _____

ITEM #2
 12-3/4" x 6-5/16" x
 2.5" D

Size	Quantity	Flanges on long sides	Finger Tab
12 3/4" x 6-5/16" x 2 1/2" D	12	All pans	2 on 6 pans



Atlantic Food PANS
 Hot & Cold Food
 Merchandising Equipment
 Specialists



888-MEAL-SOLUTIONS
 (888-632-5765)
www.atlanticfoodPANS.com