

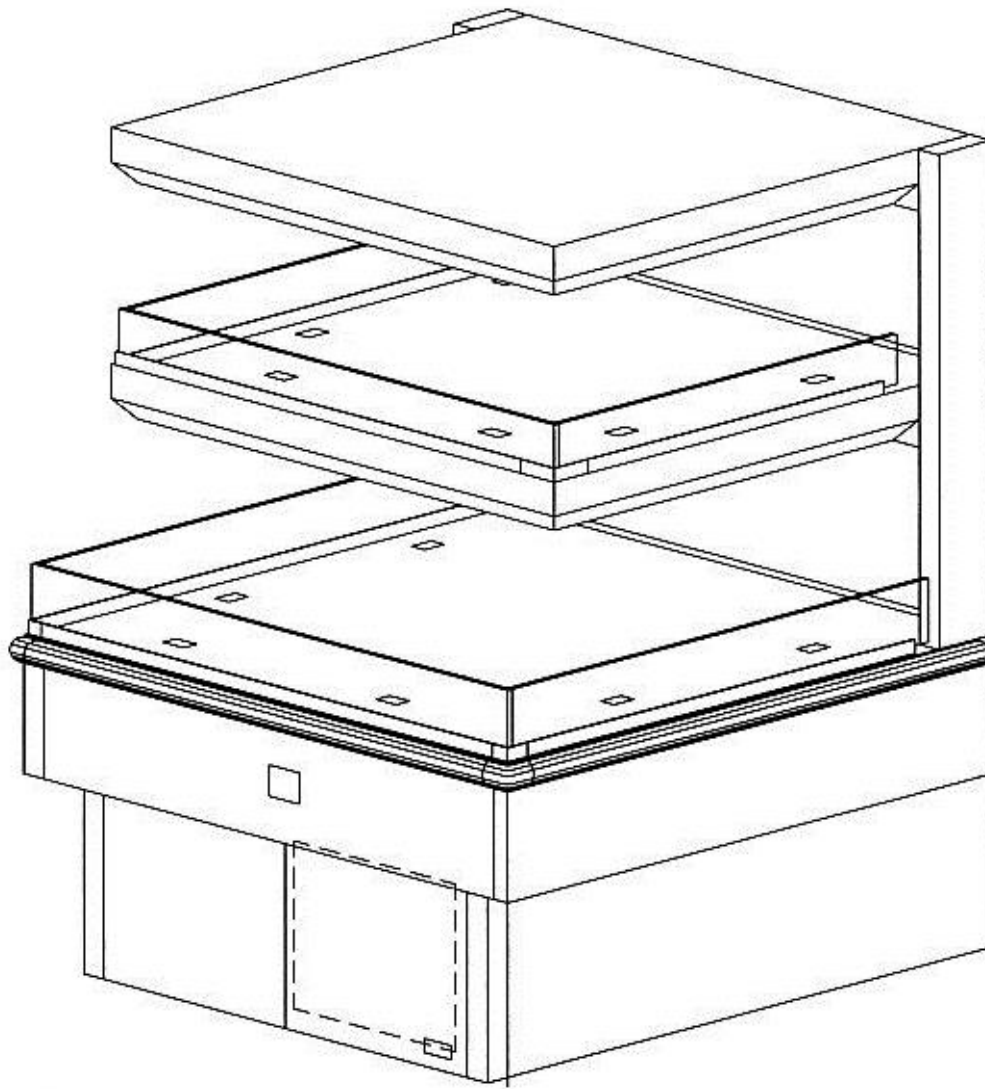
End Cap Express - Shallow

3' Two-Tier End Cap

Hot Packaged Grab & Go

IP #ECE2-3635

38" L x 36" D x 62" H



36" unit with 2 *hot* levels and
front controls

Approval – Complete All Sections

Colors:

Body – Stainless steel

Bumper: black

Electric :

Voltage 120V X

Phase : Single X

Source : Ceiling Floor

Delivery

Site: Loading Dock Ground Level

Delivery hours :

Depth of case is 36" which will fit through
narrowest space between delivery point and install
location Yes No If no – CALL US ASAP

Approval signature:

Date:

*See last page for specifications table – your
signature above verifies the installation site has the
required power as shown*



Atlantic Food Bars

Your **HOT & COLD** Food Equipment Specialist !

888-MEAL-SOLUTIONS (888-632-5765)

www.atlanticfoodbars.com

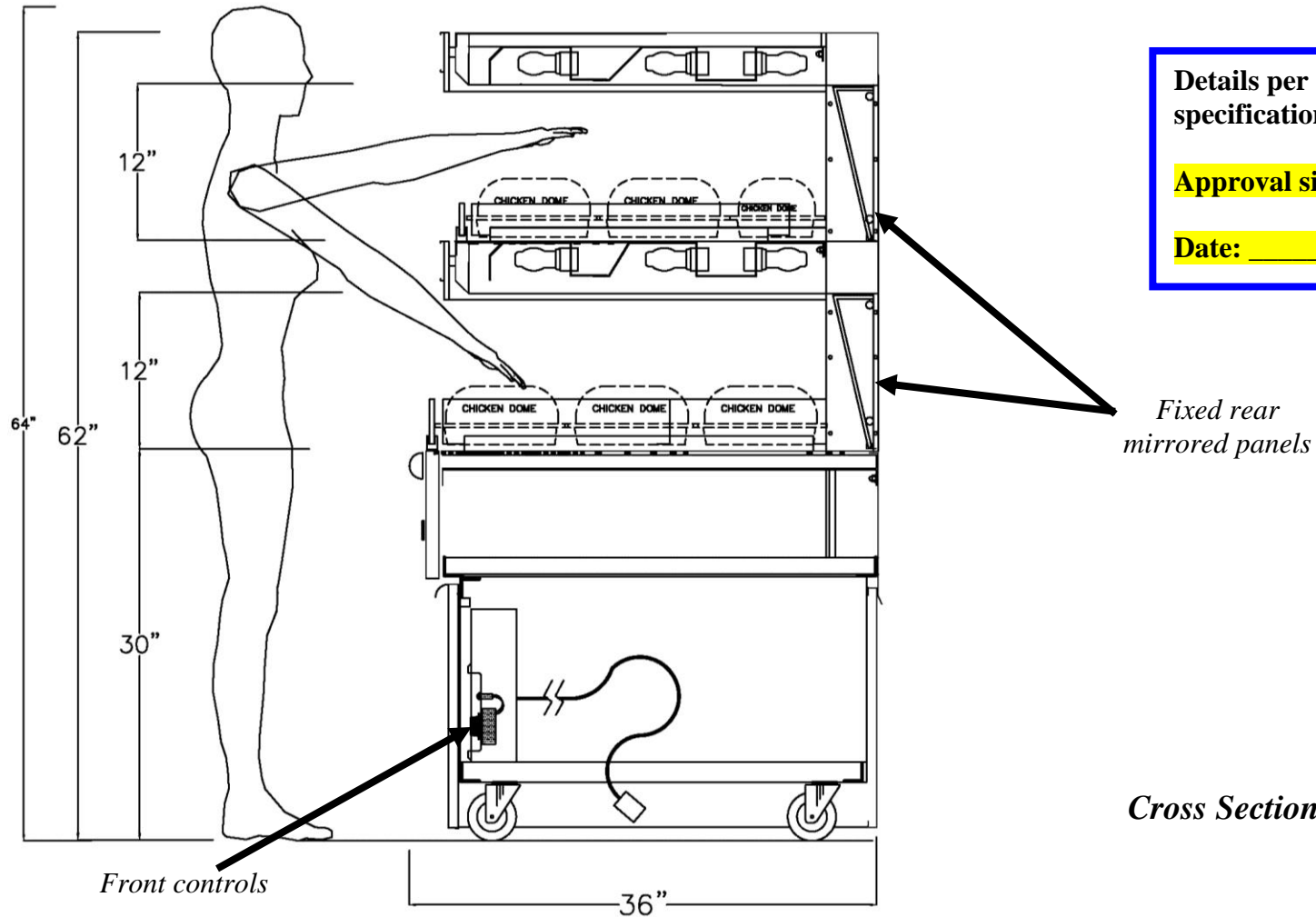
End Cap Express - Shallow

3' Two-Tier End Cap

Hot Packaged Grab & Go

IP #ECE2-3635

38" L x 36" D x 62" H



Details per sign off on page 1 and specifications on last page

Approval signature: _____

Date: _____

Internal Part #	Custom Description	Dimensions	Voltage	Amps 1 Ph	Rotisserie Chicken Capacity
ECE2-3635	36" Two Tier End Cap Hot Packaged Grab and Go	38" L x 36" D x 62" H	120	31.3	19
Requires 50-amp circuit					



Atlantic Food Bars

Your **HOT & COLD** Food Equipment Specialist !

888-MEAL-SOLUTIONS (888-632-5765)

www.atlanticfoodbars.com