

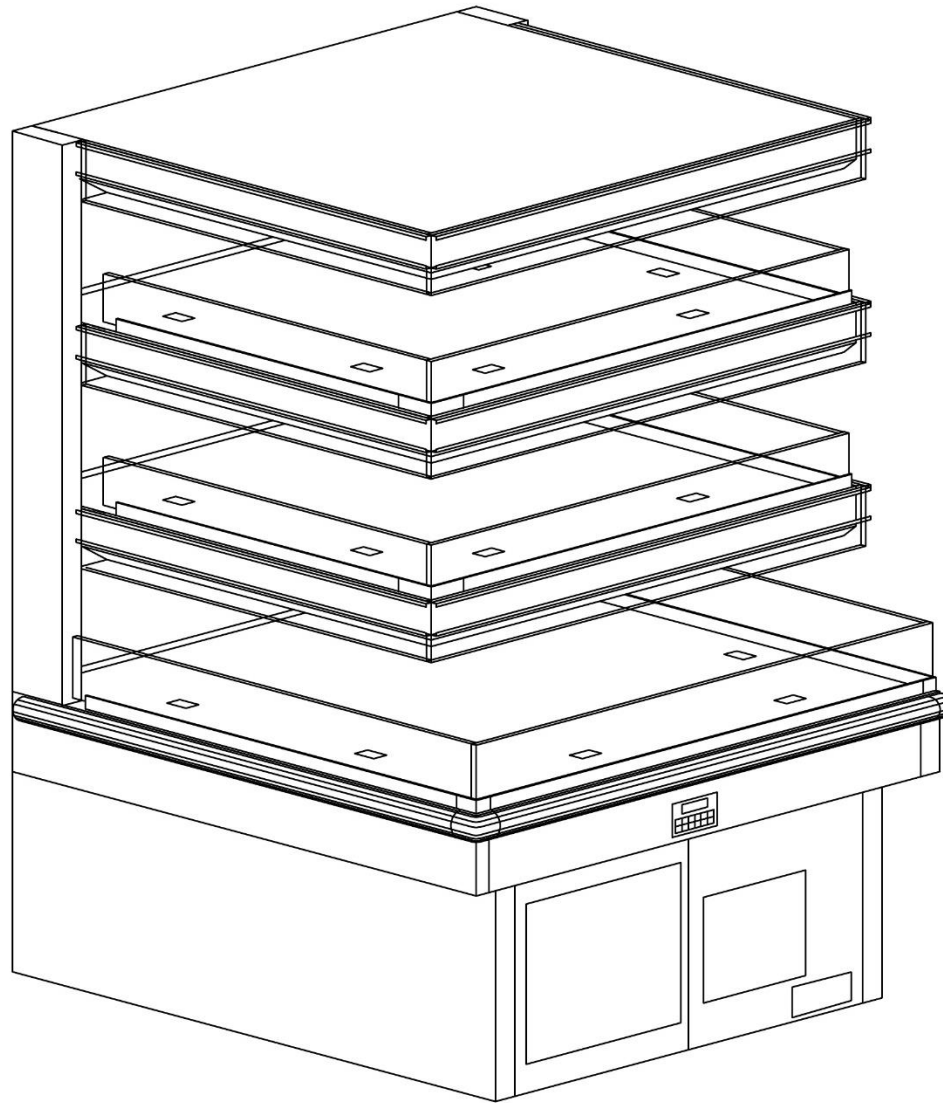
3' Three-Tier End Cap Express™

Hot Packaged Grab and Go

IP #ECE3-3635 Series

38" L x 36 D x 63" H

ECE3 Series



36" unit with 3 hot levels and front controls

Scroll down for more views

Celebrating 70 Years in 2017!

HOT



Atlantic Food Bars
Hot Food Merchandising
Equipment Specialists

888-MEAL-SOLUTIONS (888-632-5765)
www.atlanticfoodbars.com

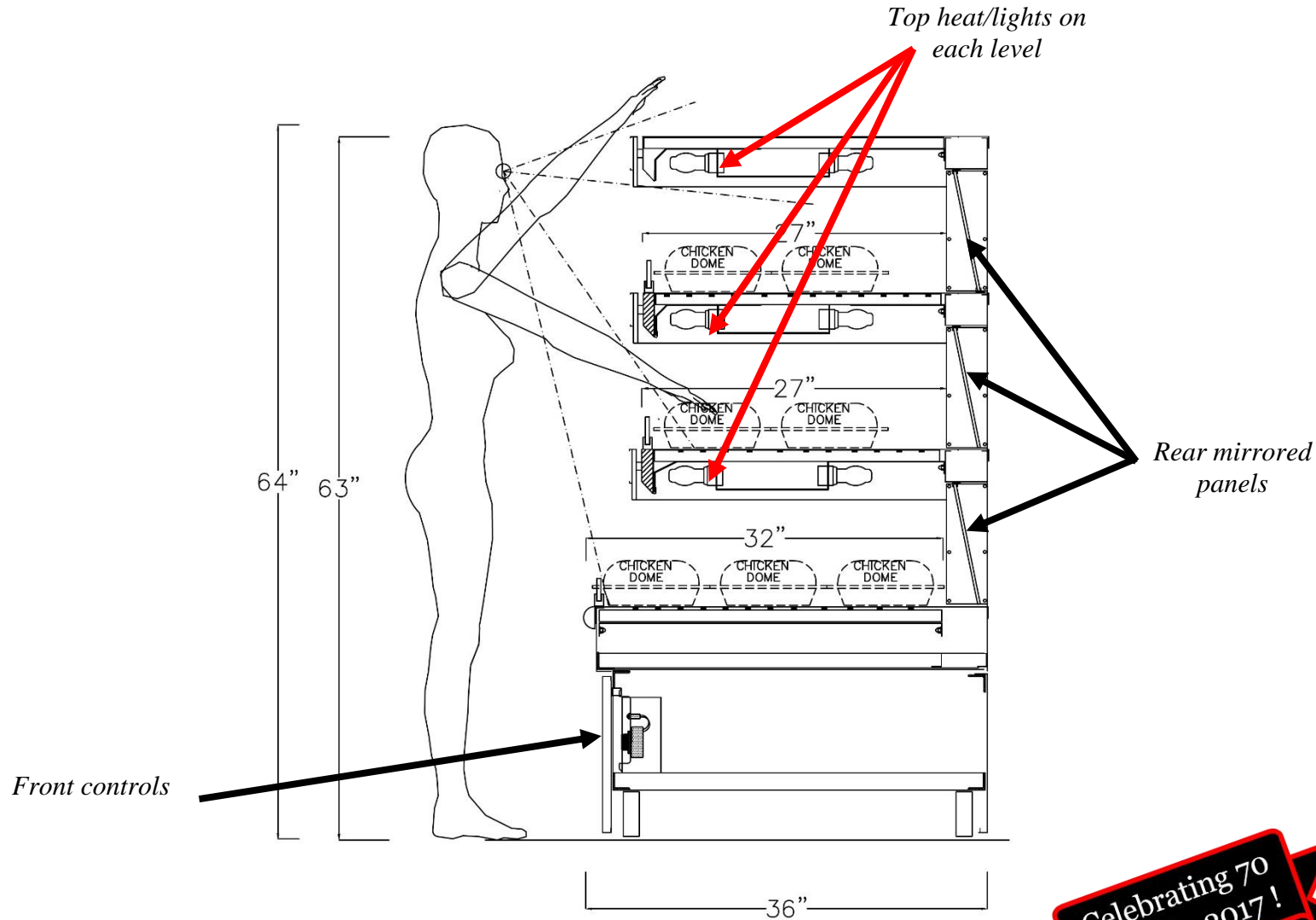
3' Three-Tier End Cap Express™

Hot Packaged Grab and Go

IP #ECE3-3635 Series

38" L x 37" D x 63" H

ECE3 Series



Cross Section

IP CODE	DIMENSIONS L" X W" X H"	CAPACITY
		LEVELS
ECE3-3635 Series	38.25 x 37 x 63	3

Celebrating 70 Years in 2017!

HOT

Atlantic Food Bars
Hot Food Merchandising
Equipment Specialists

888-MEAL-SOLUTIONS (888-632-5765)
www.atlanticfoodbars.com