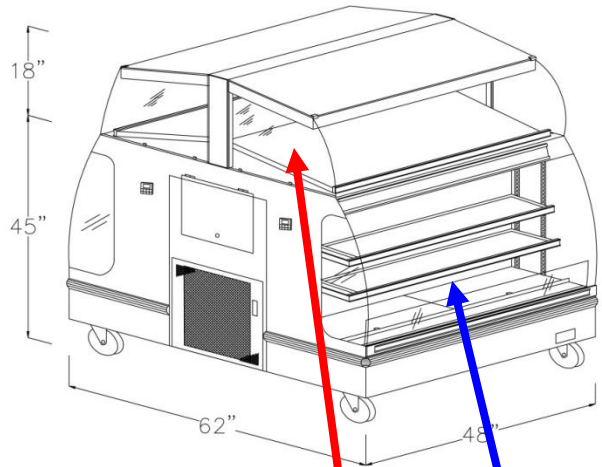
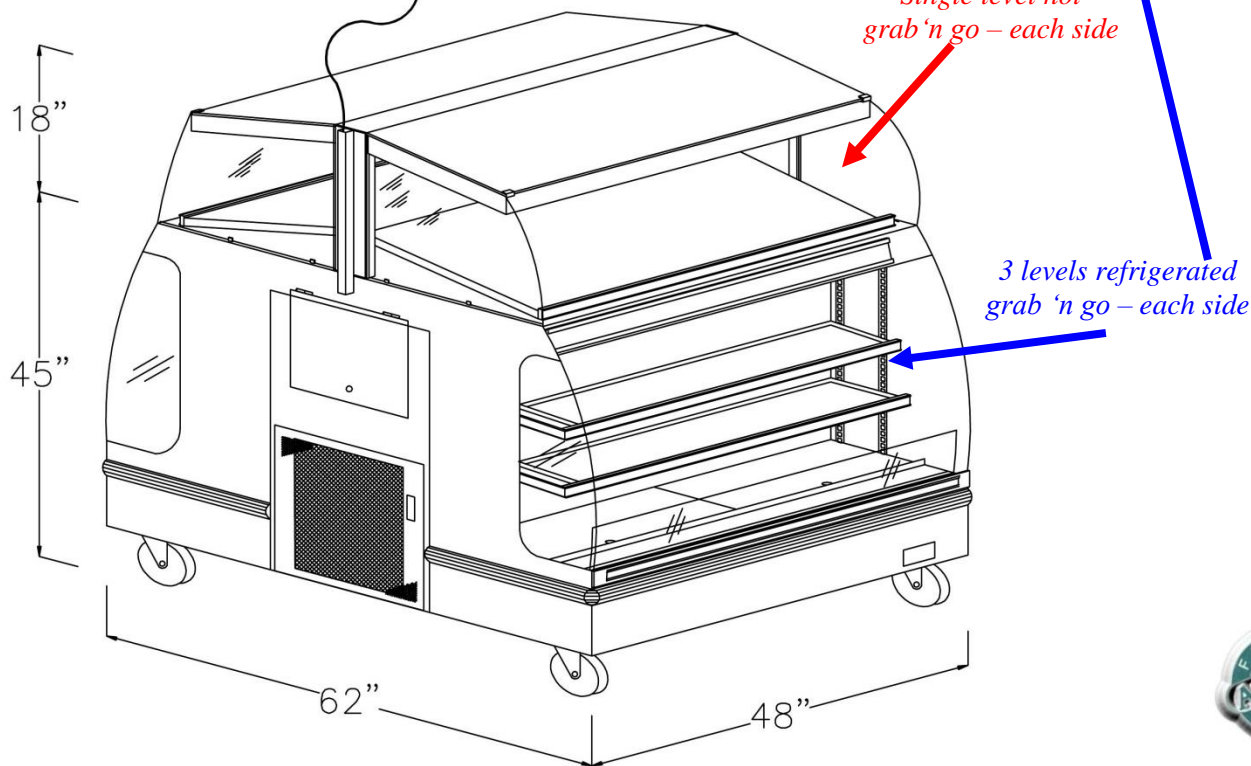


# Two-Sided Multi-Tier Combination **Hot & Cold** Packaged Food Merchandiser

IP # HCIT4862-LP  
4'-2" L x 64" D x 63" H



12' cord and twist lock cap exits top of case – hidden by a removable s/s cover



## Approval – Complete All Sections

### Colors:

Body: Stainless Steel

Bumper: black

Refrigeration : Self Contained

### Electric :

Voltage 120/208V

Phase : Single

Source : Ceiling

### Delivery

Site: Loading Dock  Ground Level

Delivery hours : \_\_\_\_\_

Depth of case is 64" which will fit through narrowest space between delivery point and install location  Yes  No  If no – CALL US ASAP

Approval signature: \_\_\_\_\_

Date: \_\_\_\_\_

See last page for specifications table – your signature above verifies the installation site has the required power as shown



**Atlantic Food Bars**

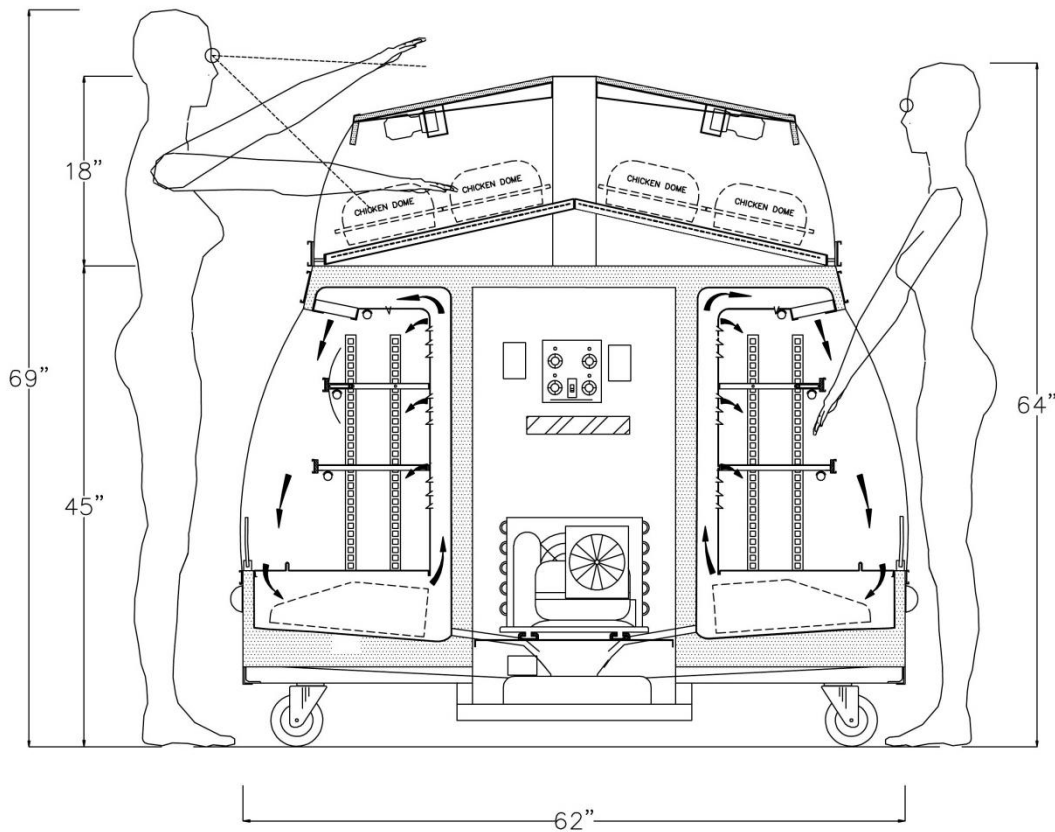
Your **HOT & COLD** Food Equipment Specialist !

888-MEAL-SOLUTIONS (888-632-5765)

[www.atlanticfoodbars.com](http://www.atlanticfoodbars.com)

# Two-Sided Multi-Tier Combination **Hot & Cold** Packaged Food Merchandiser

IP # HCIT4862-LP  
4'-2" L x 64" D x 63" H

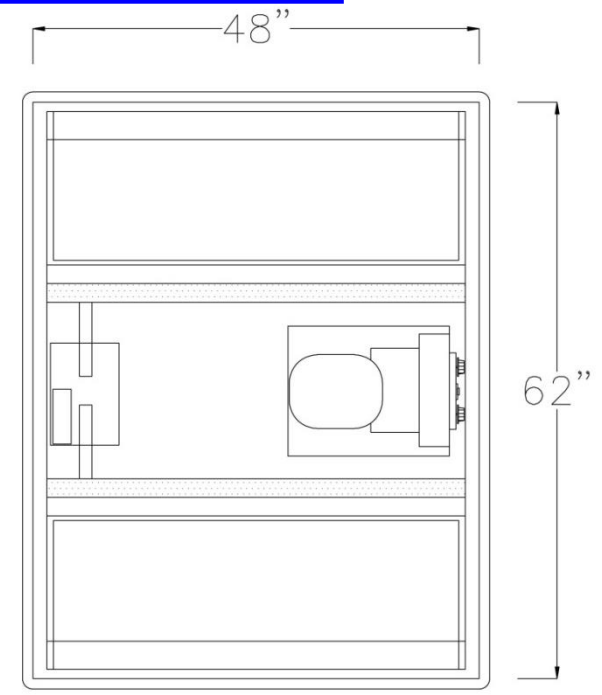


**Cross Section**

Details per sign off on page 1 and specifications on last page

Approval signature: \_\_\_\_\_

Date: \_\_\_\_\_



**Plan View**

Internal Part #	Custom Description	Dimensions	Voltage	Self-contained Refrigeration	Rotisserie Chicken Capacity
				Amps 1 Ph	
HCIT4862-LP	4' Mobile Combination Refrigerated Base and Hot Rotisserie Chicken & Packaged Food Merchandiser	4'-2" L x 64"D x 63" H	120/208	35.4	24
Unit comes with Hubble CS6365C 50-amp twist lock plug					



**Atlantic Food Bars**  
Your **HOT & COLD** Food Equipment Specialist!  
888-MEAL-SOLUTIONS (888-632-5765)  
[www.atlanticfoodbars.com](http://www.atlanticfoodbars.com)