

**Make your Hot and Cold  
Grab & Go Food offerings a self service  
profit center with our  
HCWT / HCIT Series Single / Double Sided  
Combination Over-Under Merchandisers !**



HCIT4862-LP 4' Double-Sided Low Profile Unit Shown  
with Stainless Steel Finish and single hot shelf

Create more impulse sales and grow your hot and cold grab & go program! Maximize merchandising impact with optional clear end panels to provide visibility from all angles.

This unit is a **MONEY MAKER** and a **SELL-THROUGH BEAST !**

This single or double sided case is ideal for heated grab & go rotisserie chickens, sandwiches and snacks on top and refrigerated sandwiches, salads, fruit, sides, and beverages on the bottom. If you are selling hot and cold food full service, you won't believe the profitability of this self service unit due to reduced labor costs, convenience for shoppers, higher sales and lower shrink.



HCWT364-AS2 3' Single-Sided Unit Shown  
with Laminated Finish and 2<sup>nd</sup> hot shelf

**HCWT & HCIT Series  
Combination Hot Over Cold  
Grab & Go Merchandiser – Single or Double-Sided**



**Atlantic Food Bars**

**Hot & Cold Food Equipment Specialists**

888-MEAL-SOLUTIONS (888-632-5765)

info@atlanticfoodbars.com

www.atlanticfoodbars.com



# HCWT & HCIT Series

Combination Hot Over Cold Grab & Go Merchandiser – Single or Double Sided



HCWT3642 3' Single-Sided Unit Shown

## Standard Features

- 2 upper levels of hot food
- 3 lower refrigerated levels
- Remote refrigeration system
- Stainless steel body and heavy duty protective bumper in colors of your choice
- High output heat element in decks provides consistent heat and unmatched reliability
- Infinite top and bottom heat controls
- Tempered glass end draft control panels
- Hidden controls in base
- Heavy-duty casters
- Sign track on every level



HCIT3656 3' Double-Sided Unit Shown

## Options

- Self contained refrigeration
- Curved profile
- Low profile
- Tall profile
- Entire body to be steel finish in lieu of laminated steel
- One less hot level for low profile or increased refrigerated merchandising
- Additional hot shelf with heat lamps (maximum of 1 for total of 3 as shown at right)
- Additional cold shelf with lighting (maximum of 1 for total of 3 as shown above)
- Electric feed through top of case



## Atlantic Food Bars

**Hot & Cold Food Equipment Specialists**

888-MEAL-SOLUTIONS (888-632-5765)

info@atlanticfoodbars.com

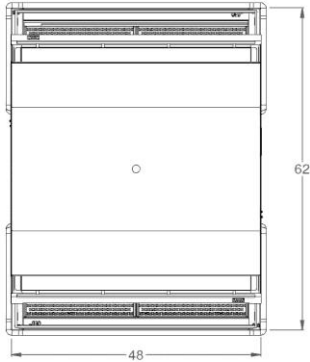
www.atlanticfoodbars.com



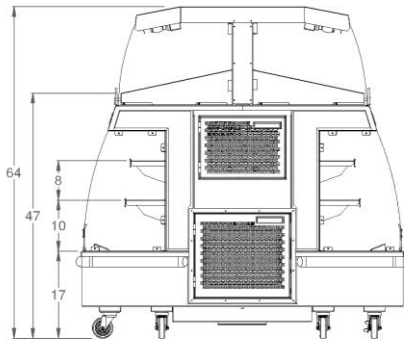
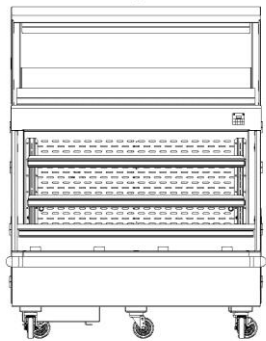
# HCWT & HCIT Series

## Combination Hot Over Cold Grab & Go Merchandiser – Single or Double Sided

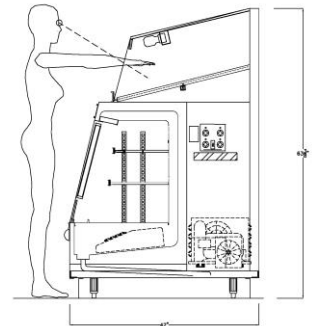
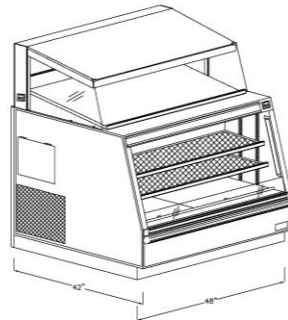
**Atlantic Food Bars** HCWT & HCIT Series Combination Hot Over Cold Grab & Go Merchandisers are covered by our INDUSTRY'S LONGEST WARRANTY – 1 year parts and labor. Warranty does not cover glass breakage, or abuse / misuse by operator. In line with its policy to continually improve its products, Atlantic Food Bars reserves the rights to change materials and specifications without notice.



**HCIT Double Sided**



**HCWT Single Sided**



<i>IP Code</i>	<i>O.A. Dimensions L" x W" x H"</i>	<i>Total Merchandising Levels – Hot / Cold</i>	<i>Voltage</i>
HCWT3642	3'-0" x 43" x 73"	Single Sided: 1-3 / 3-4	120/208
HCIT3656	3'-0" x 58" x 72"	Double Sided: 2-6 / 6-8	120/208
HCWT4842	4'-0" x 43" x 73"	Single Sided: 1-3/ 3-4	120/208
HCIT4856	4'-0" x 58" x 72"	Double Sided: 2-6 / 6-8	120/208



**Atlantic Food Bars**  
**Hot & Cold Food Equipment Specialists**  
 888-MEAL-SOLUTIONS (888-632-5765)  
[info@atlanticfoodbars.com](mailto:info@atlanticfoodbars.com)    [www.atlanticfoodbars.com](http://www.atlanticfoodbars.com)





# ***Options, accessories and features offer you the perfect merchandiser for your food service operation!***

## **MAX OUT YOUR MERCHANDISING WITH UP TO THREE HOT LEVELS ON EACH SIDE**

Increase sales in a compact footprint by going vertical! This multi-deck case comes in 3' / 4' / 5' / 6' standard sizes or custom configurations.



## **CLEAR VIEW END PANELS**

Provide clear visibility from all angles with optional clear end panels.



## **FINISHES AVAILABLE IN STAINLESS STEEL, LAMINATE OR POWDER COAT - ANY COLOR**

Have it your way, in any finish.

## **SELF CONTAINED OR REMOTE REFRIGERATION**

Super cold airflow refrigeration system built to meet your needs.



## **SIGN TRACK**

Multiple levels of sign track allow for easy, organized display of product signage. Your individual labels will be ready to slide right into the price tag molding the moment you receive the merchandiser!

**Celebrating 70  
Years in 2017!**

## **Atlantic Food Bars**

**Hot & Cold Food Equipment Specialists**

888-MEAL-SOLUTIONS (888-632-5765)

info@atlanticfoodbars.com

www.atlanticfoodbars.com



**Options & Features**  
**HCWT & HCIT Series**