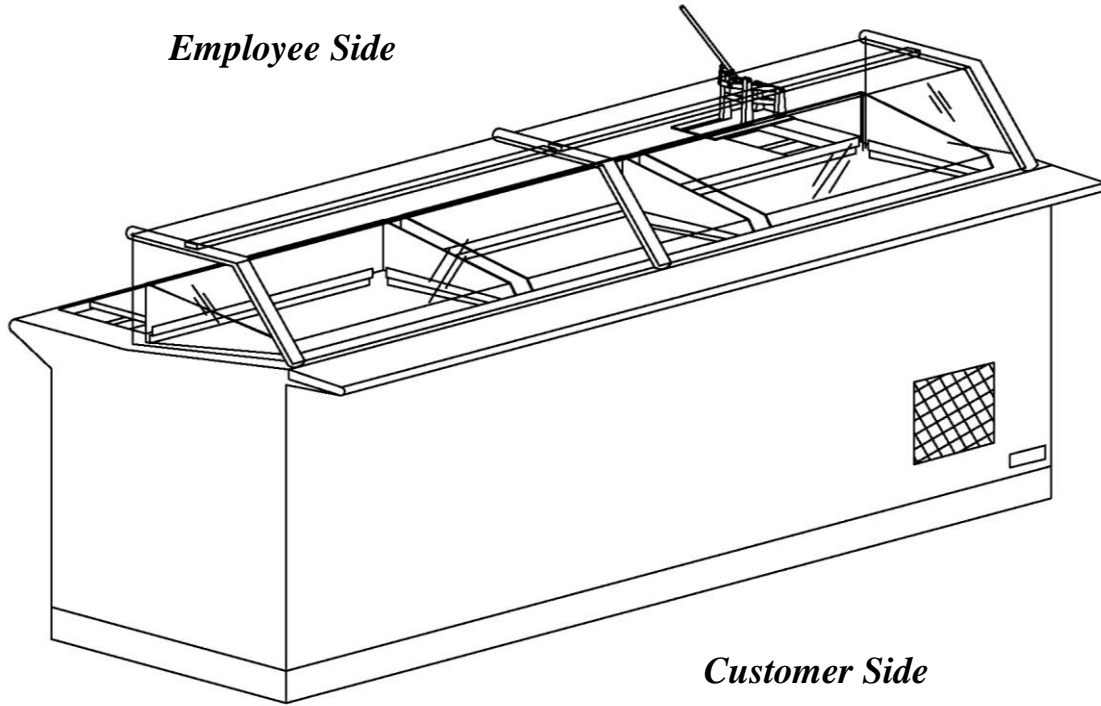


Custom Full Service Oyster Case

IP #OYB9642

8'-0" L x 42" D x 54" H

Employee Side



Customer Side

**SCROLL DOWN FOR
ADDITIONAL VIEWS**

Approval – Complete All Sections

Colors:

Body: Stainless Steel X

Countertop: Solid Surface : X Mfr: Silestone

Color: Zirconium

Refrigeration :

Remote X Refrigerant: glycol

Electric :

Voltage 120V X

Phase : Single X

Source : Floor X

Delivery

Site: Loading Dock Ground Level

Delivery hours :

Depth of case is 42" which will fit through narrowest space between delivery point and install location Yes No If no – CALL US ASAP

Approval signature:

Date:

See last page for specifications table – your signature above verifies the installation site has the required power as shown



HOT & COLD
Atlantic Food Bars
Hot & Cold Food
Equipment Specialists

888-MEAL-SOLUTIONS (888-632-5765)

www.atlanticfoodbars.com

Custom Full Service Oyster Case

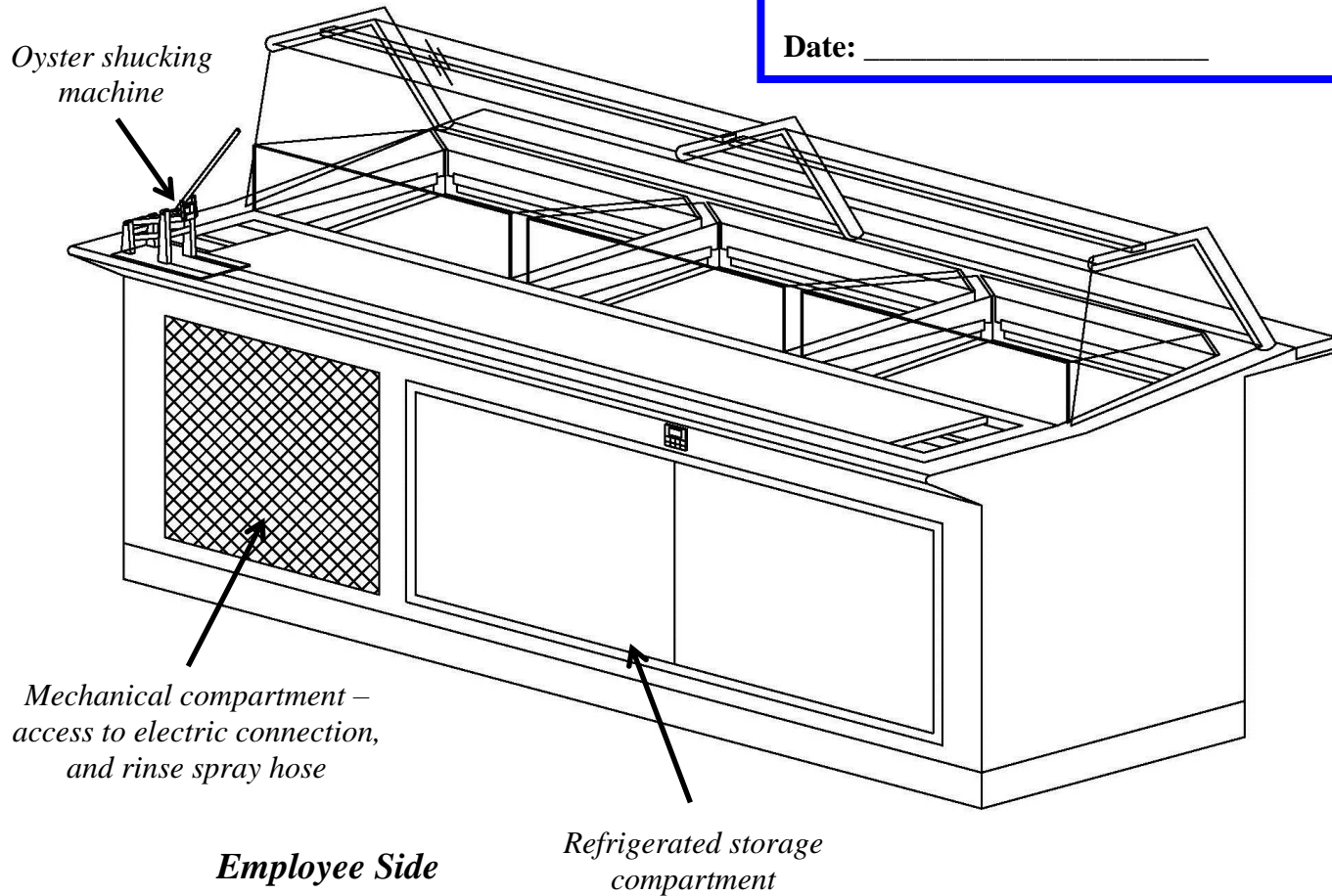
IP #OYB9642

8'-0" L x 42" D x 54" H

Details per sign off on page 1 and specifications on last page

Approval signature: _____

Date: _____



Customer Side

**SCROLL DOWN FOR
ADDITIONAL VIEWS**



HOT & COLD
Atlantic Food Bars
Hot & Cold Food
Equipment Specialists

888-MEAL-SOLUTIONS
(888-632-5765)
www.atlanticfoodbars.com

Custom Full Service Oyster Case

IP #OYB9642

8'-0" L x 42" D x 54" H

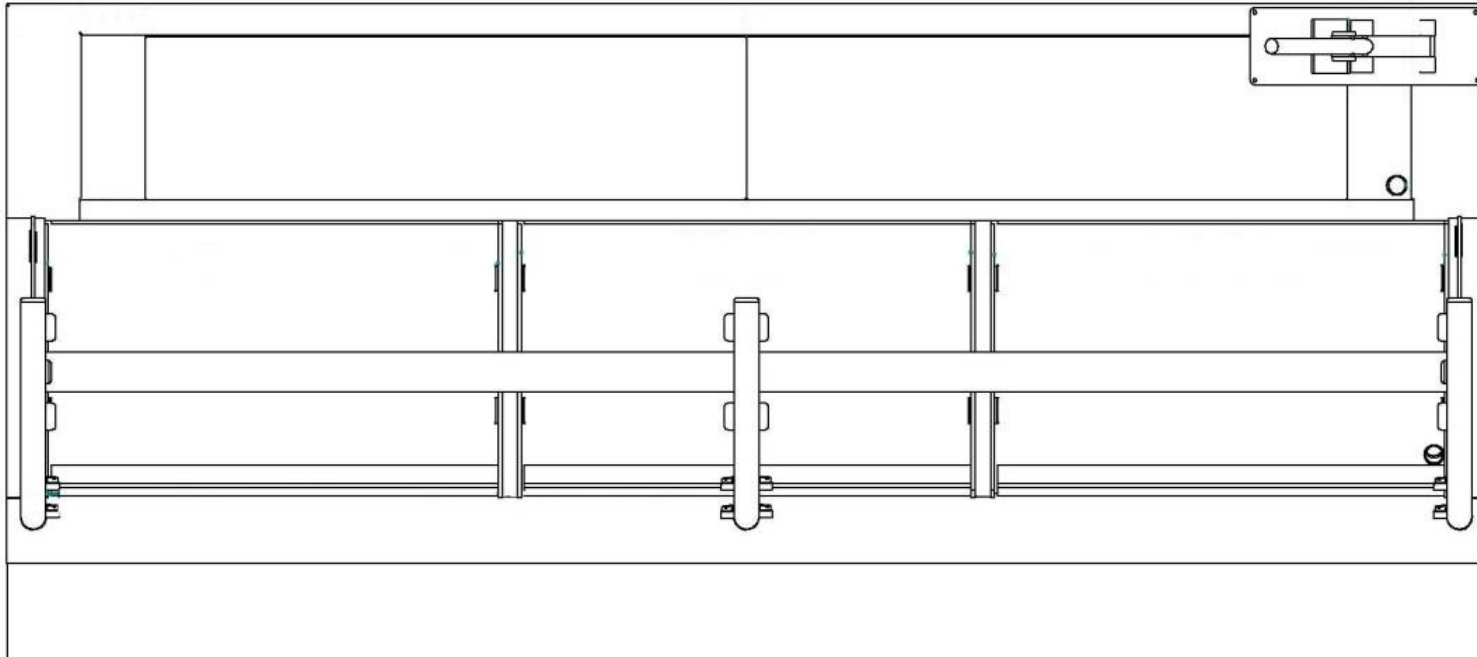
*Entire interior case
to be 304 series
stainless steel*

Details per sign off on page 1 and
specifications on last page

Approval signature: _____

Date: _____

Employee side



Plan View

Customer side

***SCROLL DOWN FOR
ADDITIONAL VIEWS***



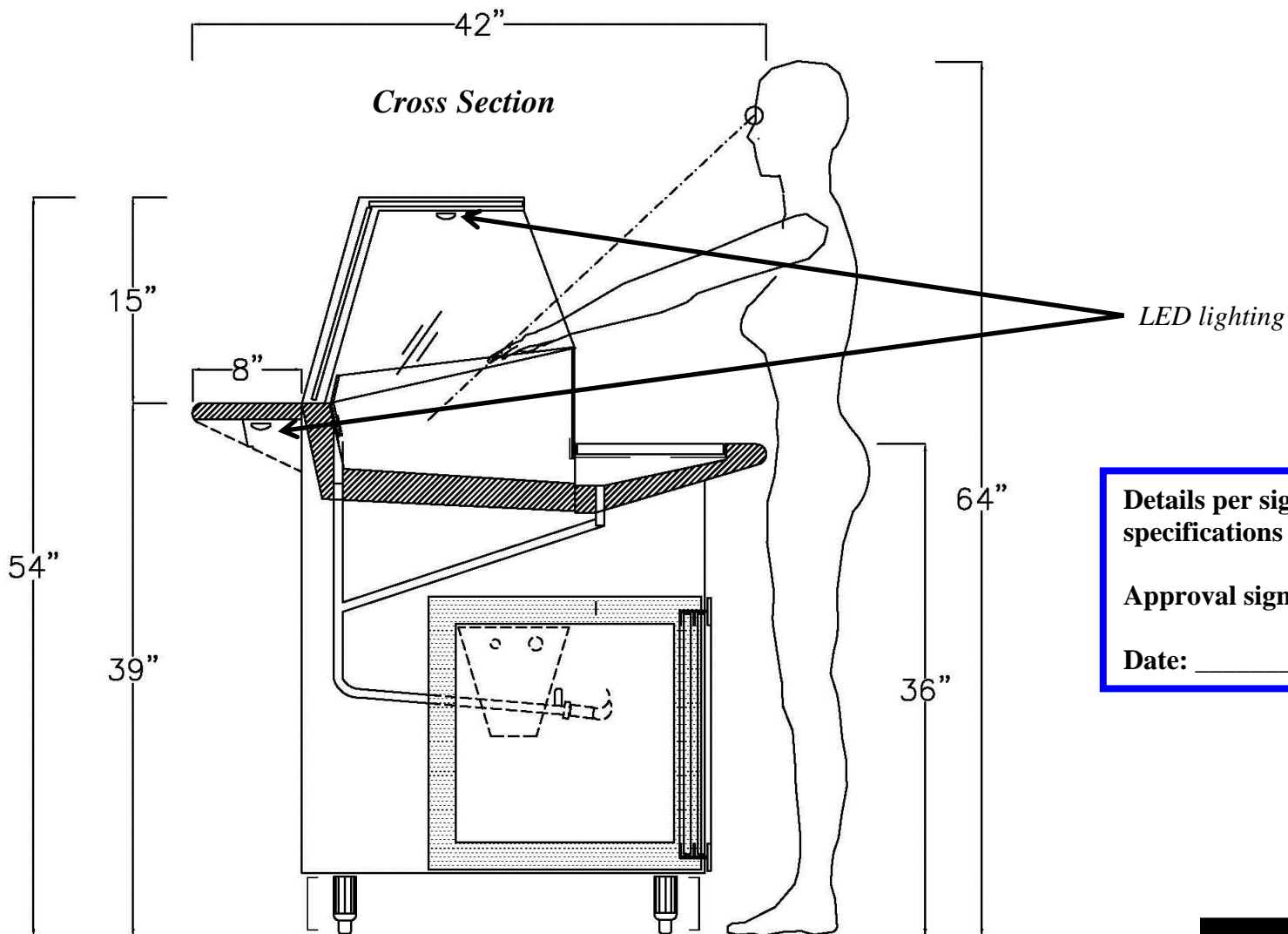
HOT & COLD
Atlantic Food Bars
Hot & Cold Food
Equipment Specialists

888-MEAL-SOLUTIONS
(888-632-5765)
www.atlanticfoodbars.com

Custom Full Service Oyster Case

IP #OYB9642

8'-0" L x 42" D x 54" H



Details per sign off on page 1 and specifications on last page

Approval signature: _____

Date: _____

Internal Part #	Custom Description	Dimensions	Voltage	Remote Refrigeration	BTU
				Amps 1 Ph.	
OYB9642	8' Full Service Oyster Case	96" L x 42" D x 54" H	120	2.2	1,200

Requires 20-amp circuit. Fixture temp = 36°. Entering glycol temp = 26°. GPM = .7

HOT & COLD

Atlantic Food Bars
Hot & Cold Food
Equipment Specialists

888-MEAL-SOLUTIONS (888-632-5765)
www.atlanticfoodbars.com