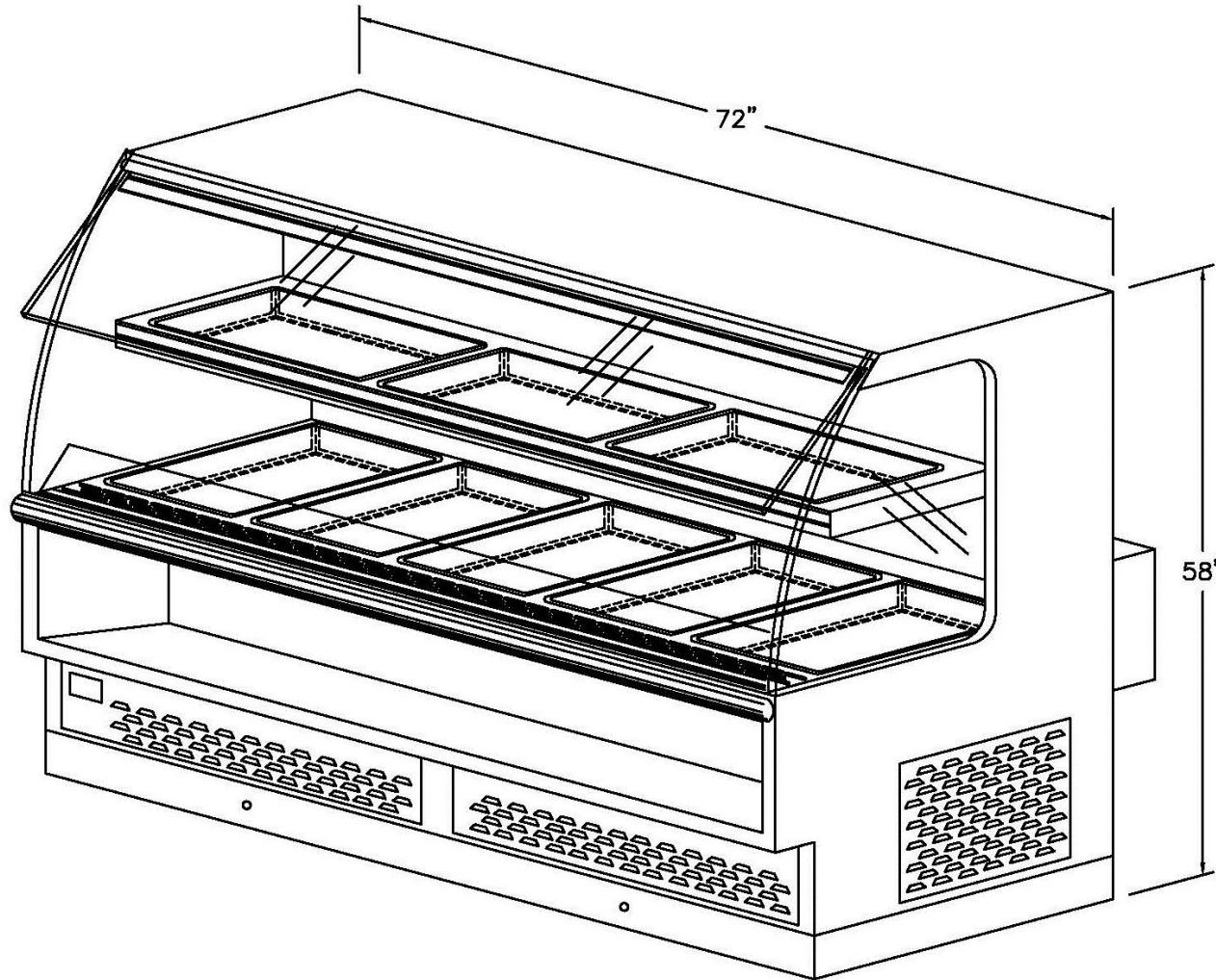


Two Tier Refrigerated Olive Bar

IP #BILR7234LP-CE-LED-SC

6'-0" L x 35" D x 58" H



Scroll down for more views



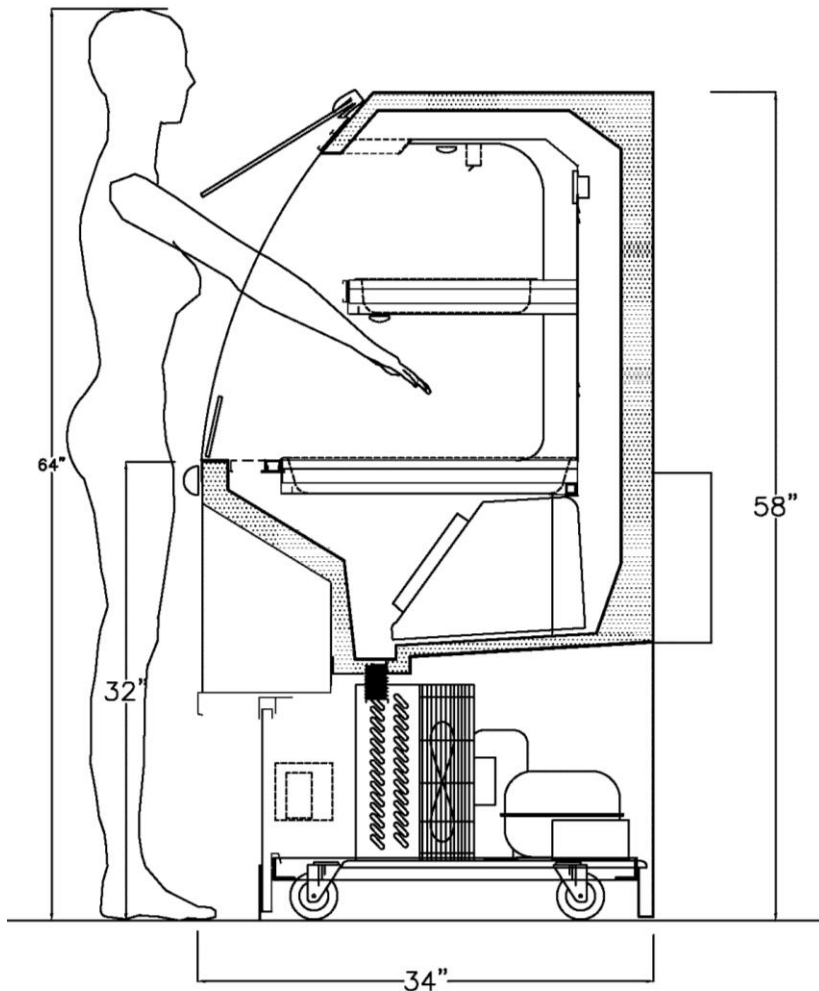
Atlantic **OLIVE** Food Bars
Olive Merchandising
Equipment Specialists

888-MEAL-SOLUTIONS
(888-632-5765)
www.atlanticfoodbars.com

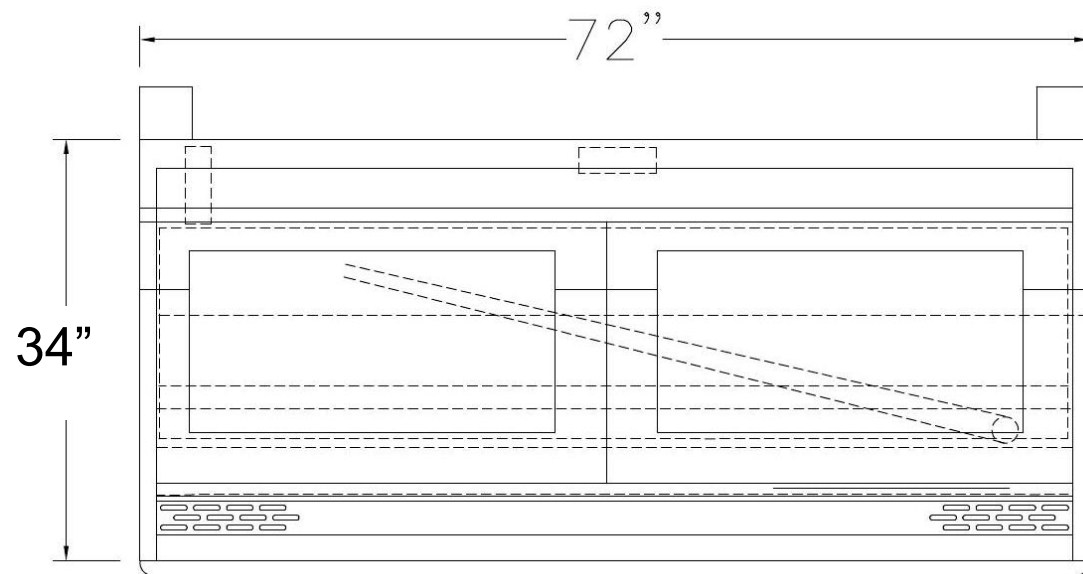
Two Tier Refrigerated Olive Bar

IP #BILR7234LP-CE-LED-SC

6'-0" L x 35" D x 58" H



Cross Section



Plan View

Internal Part #	Custom Description	Dimensions	Voltage	Self-contained Refrigeration	12" x 20" Pan Capacity
				Amps 1 Ph	
BILR7234LP-CE-LED-SC	6' Two Tier Refrigerated Olive Bar	6'-0" L x 35" D x 58" H	120	Coils/lights - 4.1	8
			208	Condensing unit - 8.7	



Atlantic ^{OLIVE} Food Bars
Olive Merchandising Equipment Specialists

888-MEAL-SOLUTIONS (888-632-5765)
www.atlanticfoodbars.com