

Narrow Island Hot Food Bar, Multi-Deck Hot Grab & Go and Soup Bar WITH End Container Shelf

IP #IHFBN12240-DCC-GC-PM-VH (10'-2" L x 40½" D x 54" H)

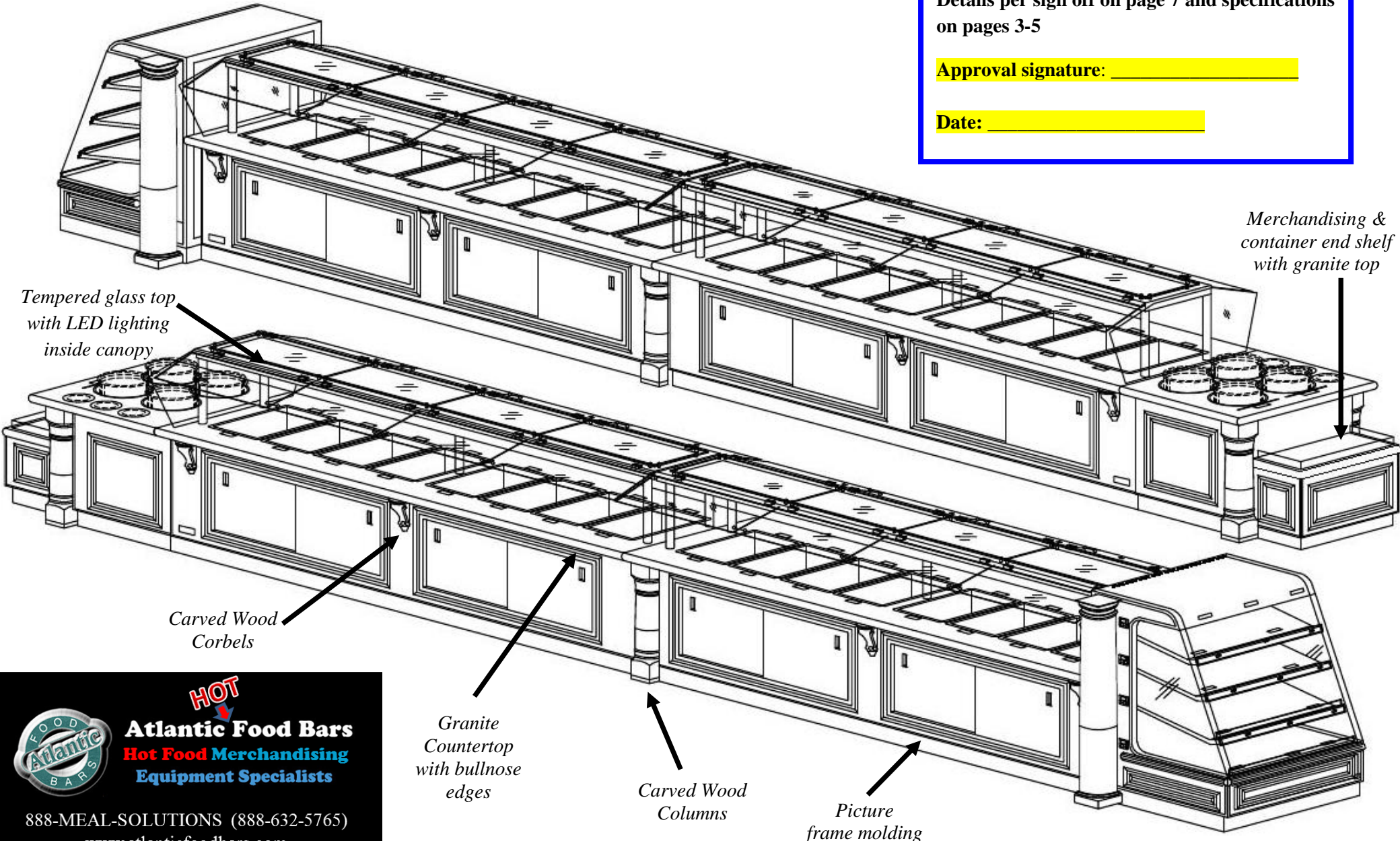
IP #SW4035-DCC-ECS-GC-ISW4-PM (48" L x 40½" D x 34" H) (Counter)

IP #WRGCL4134-AS-CE-DCC-PM (40½" L x 35" D x 54" H)

Details per sign off on page 7 and specifications on pages 3-5

Approval signature: _____

Date: _____



HOT
Atlantic Food Bars
Hot Food Merchandising
Equipment Specialists

888-MEAL-SOLUTIONS (888-632-5765)
www.atlanticfoodbars.com

Narrow Island Hot Food Bar, Multi-Deck Hot Grab & Go and Soup Bar WITH End Container Shelf

IP #IHFBN12240-DCC-GC-PM-VH (10'-2" L x 40½" D x 54" H)

IP #SW4035-DCC-ECS-GC-ISW4-PM (48" L x 40½" D x 34" H) (Counter)

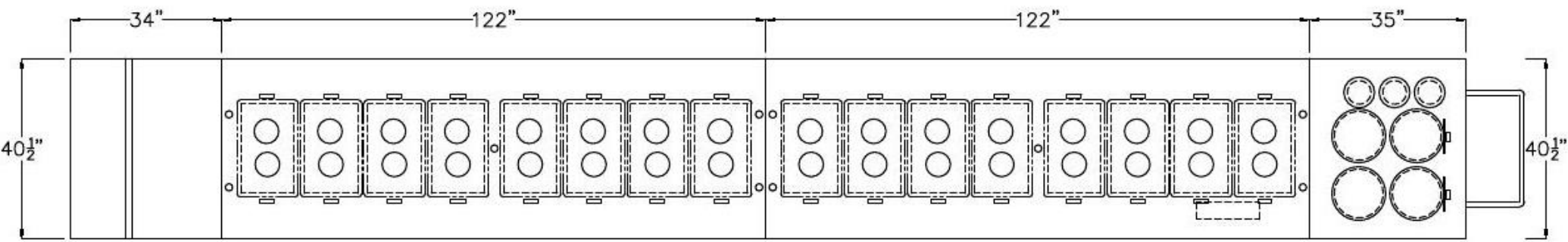
IP #WRGCL4134-AS-CE-DCC-PM (40½" L x 35" D x 54" H)

Details per sign off on page 7 and specifications on pages 3-5

Approval signature: _____

Date: _____

Plan View



HOT
Atlantic Food Bars
Hot Food Merchandising
Equipment Specialists

888-MEAL-SOLUTIONS
(888-632-5765)
www.atlanticfoodbars.com

Multi-Deck Hot Grab & Go

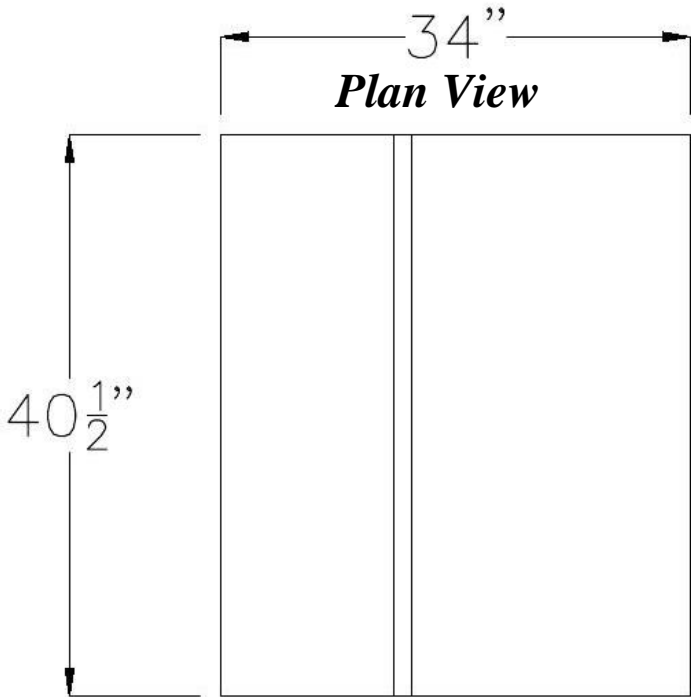
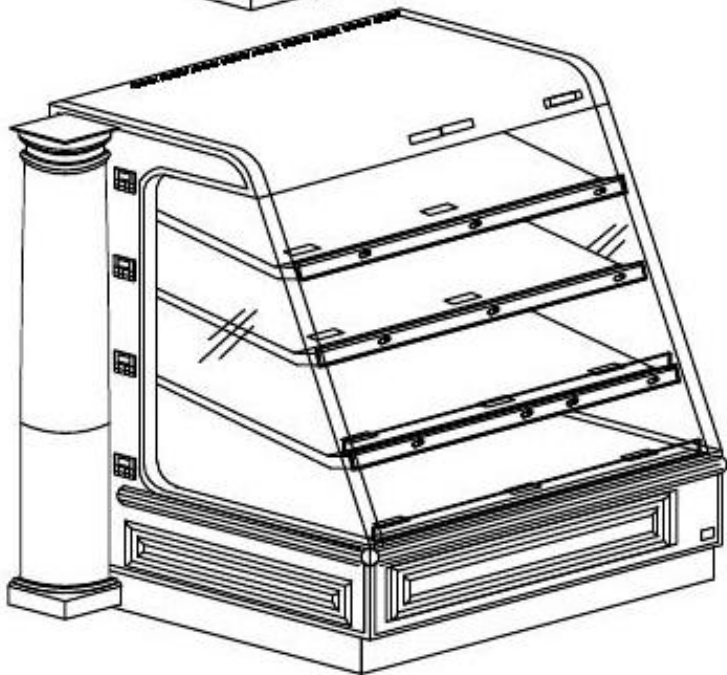
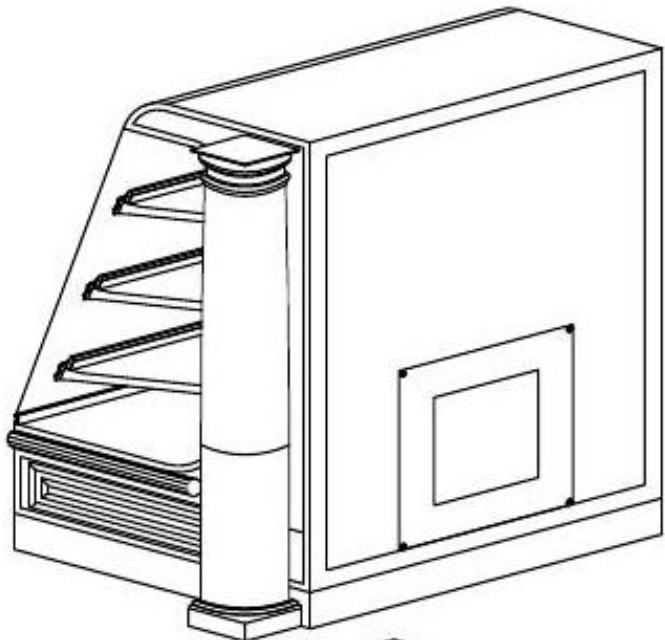
IP #WRGCL4134-AS-CE-DCC-PM

40½" L x 35" D x 54" H

Details per sign off on page 7 and specifications on pages 3-5

Approval signature: _____

Date: _____



Internal Part #	Custom Description	Dimensions	Voltage	Amps 1 Ph	Chicken Capacity
WRGCL4134-AS-CE-DCC-PM	4' Four-Tier Hot Packaged Food Merchandiser	40½" L x 35" D x 54" H	120/208	30.0	45



HOT

Atlantic Food Bars
Hot Food Merchandising
Equipment Specialists

888-MEAL-SOLUTIONS (888-632-5765)

www.atlanticfoodbars.com

10' Narrow Island Hot Food Bar

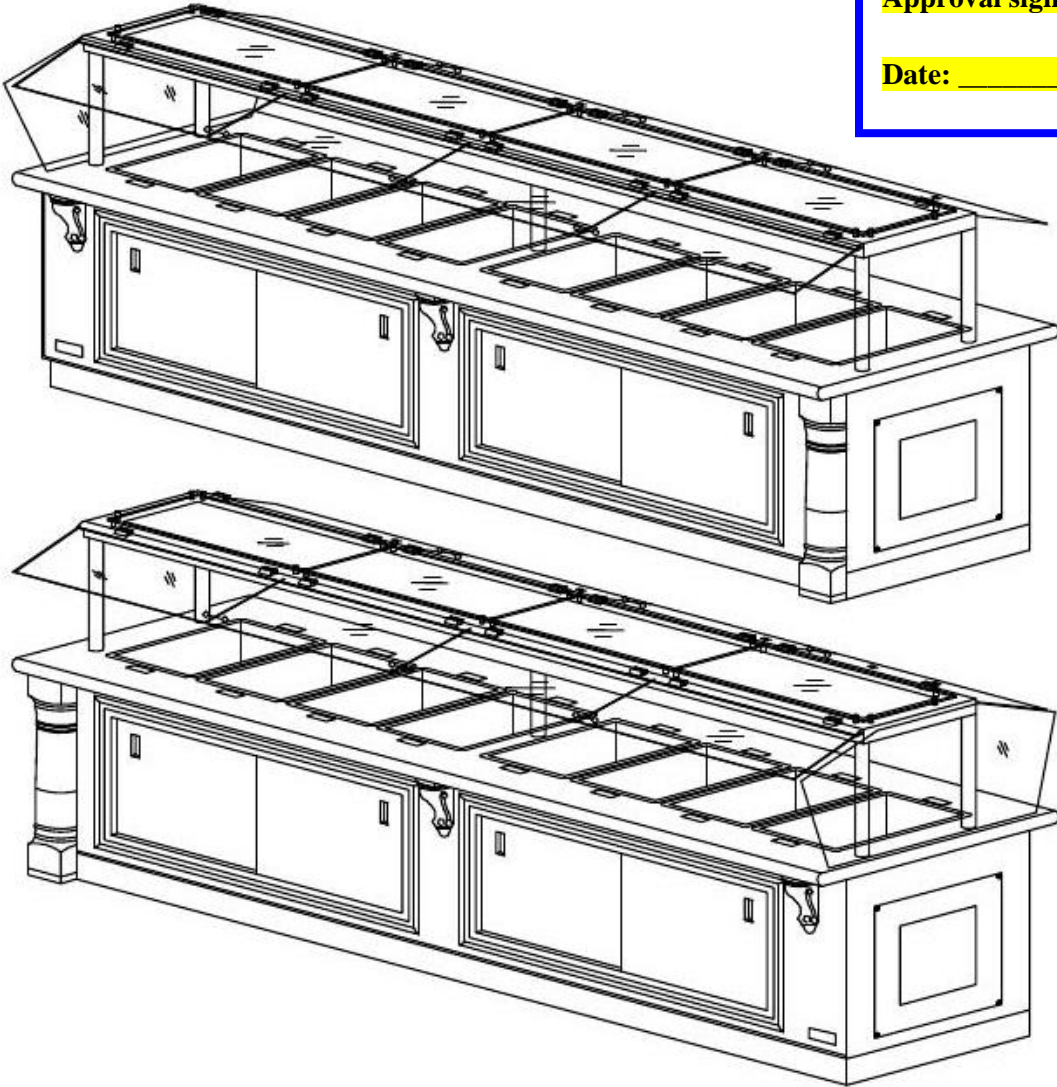
IP #IHFBN12240-DCC-GC-PM-VH
 10'-2" L x 40½" D x 54" H

Details per sign off on page 7 and specifications on pages 3-5

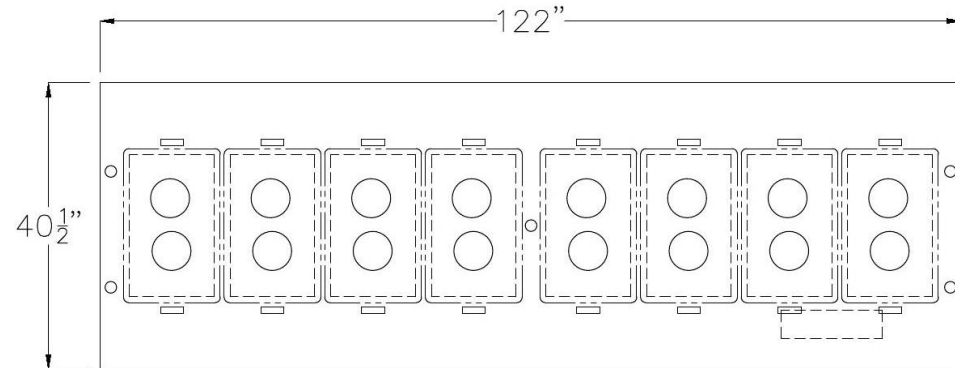
Approval signature: _____

Date: _____

**Note: 2
Required**



Plan View



Internal Part #	Custom Description	Dimensions	Voltage	Amps 3 Ph	12" x 20" Hot Wells
IHFBN12240-DCC-GC-PM-VH	10' Narrow Island Hot Food & Soup Bar	122" L x 40½" D x 54"H	120/208	47.1	8



HOT
Atlantic Food Bars
Hot Food Merchandising
Equipment Specialists

888-MEAL-SOLUTIONS (888-632-5765)

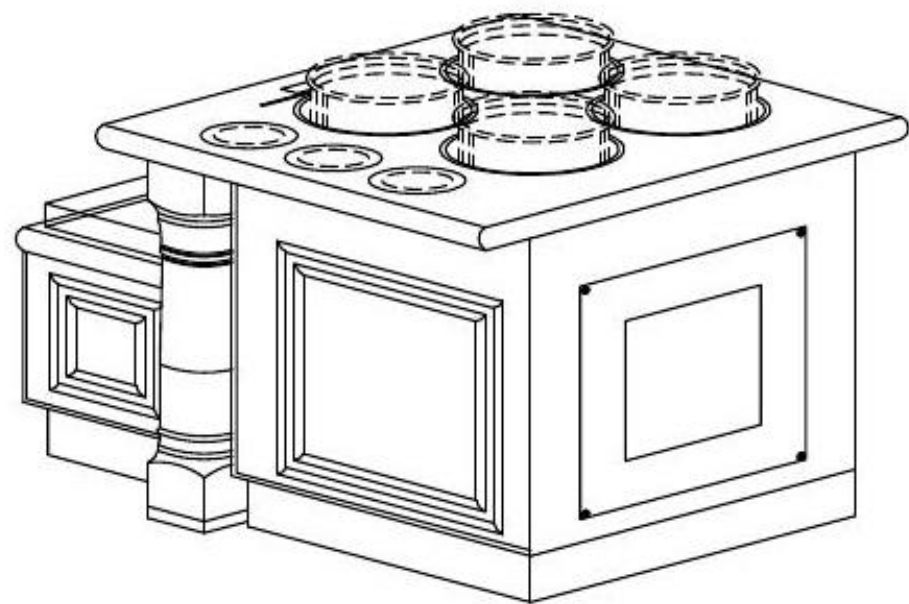
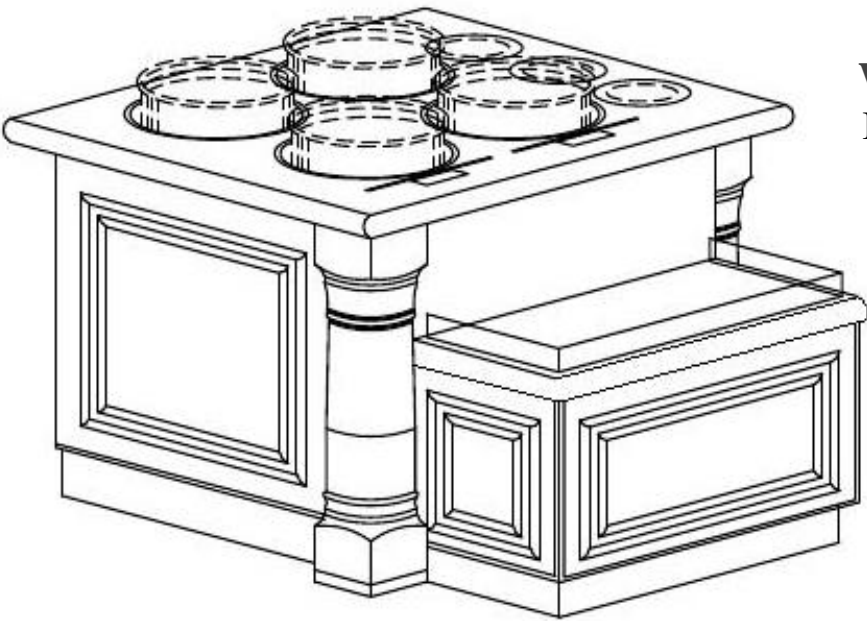
www.atlanticfoodbars.com

4 Well Soup Bar

WITH END CONTAINER SHELF

IP #SW4035-DCC-ECS-GC-ISW4-PM

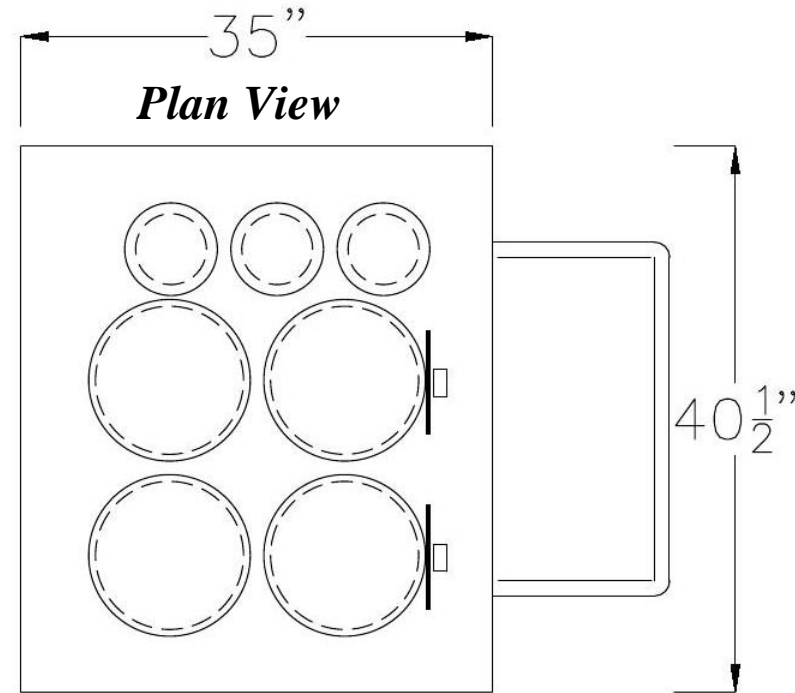
40½" L x 48" D x 34" H (Counter)



Details per sign off on page 7 and specifications on pages 3-5

Approval signature: _____

Date: _____



Internal Part #	Custom Description	Dimensions	Voltage	Amps 1 Ph	11-qt Soup Well Capacity
SW4035-DCC-ECS-GC-ISW4-PM	4' Eight-Well Soup Bar	48" L x 40 1/2" D x 34" H	120	8.3	4

Atlantic Food Bars
Hot Food Merchandising
Equipment Specialists

888-MEAL-SOLUTIONS (888-632-5765)
www.atlanticfoodbars.com

Narrow Island Hot Food Bar, Multi-Deck Hot Grab & Go And Soup Bar With and Without End Container Shelf

IP #WRGCL4134-AS-CE-DCC-PM (40-1/2" L x 35" D x 54" H)

IP #IHFBN12240-DCC-GC-PM-VH (122" L x 40-1/2" D x 53 1/2" H)

IP #SW4035-ISW4-DCC-ECS-GC-PM (48" L x 40 1/2" D x 34" H) (Counter)

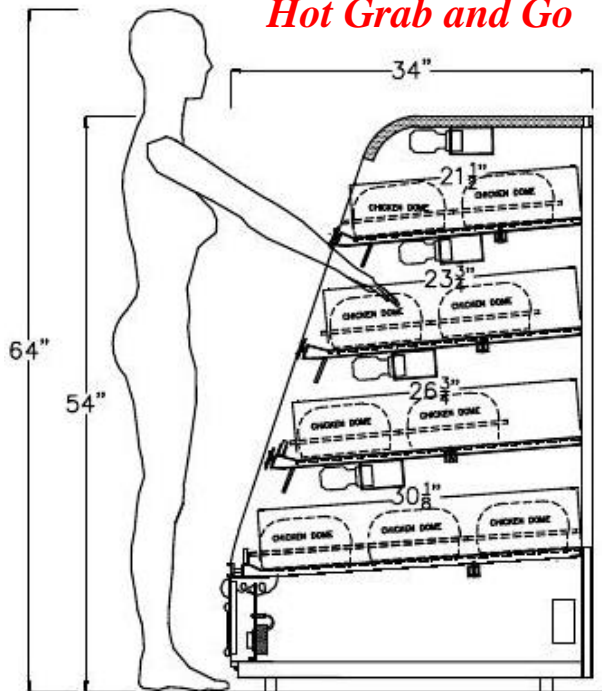
Details per sign off on page 7 and specifications on pages 3-5

Approval signature: _____

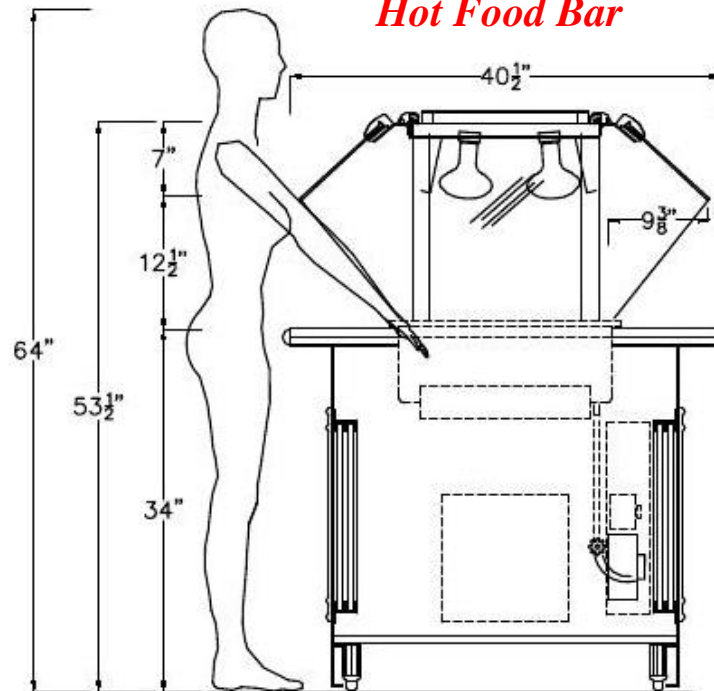
Date: _____

Cross Sections

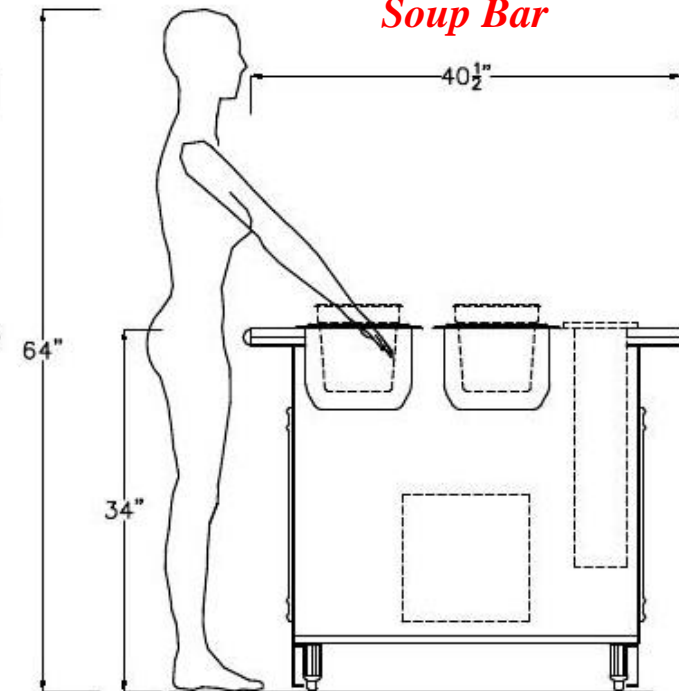
Hot Grab and Go



Hot Food Bar



Soup Bar



HOT
Atlantic Food Bars
Hot Food Merchandising
Equipment Specialists

888-MEAL-SOLUTIONS
 (888-632-5765)
www.atlanticfoodbars.com

Narrow Island Hot Food Bar, Multi-Deck Hot Grab & Go And Soup Bar With and Without End Container Shelf

IP #WRGCL4134-AS-CE-DCC-PM (40-1/2" L x 35" D x 54" H)

IP #IHFBN12240-DCC-GC-PM-VH (122" L x 40-1/2" D x 53 1/2" H)

IP #SW4035-ISW4-DCC-ECS-GC-PM (48" L x 40 1/2" D x 34" H) (Counter)

Approval – Complete All Sections

Colors:

Body: Laminate: _____ Mfr. _____
Color _____ # _____
If wood grain laminate – direction of
grain. Vertical _____ Horizontal _____

Bumper: _____

Countertop:

Granite: _____ Mfr. _____
Color _____ # _____

Electric:

Voltage See specs on pages 3-5

Source: Ceiling _____ Floor _____

Delivery

Site: Loading Dock _____ Ground Level _____

Delivery hours: _____

Depth of case is 40 1/2" which will fit through narrowest
space between delivery point and install location.

Yes _____ No _____ If no – CALL US ASAP

Approval signature: _____

Date: _____

*See last page for specifications table – your signature
above verifies the installation site has the required
power as shown*



HOT
Atlantic Food Bars
Hot Food Merchandising
Equipment Specialists

888-MEAL-SOLUTIONS
(888-632-5765)
www.atlanticfoodbars.com