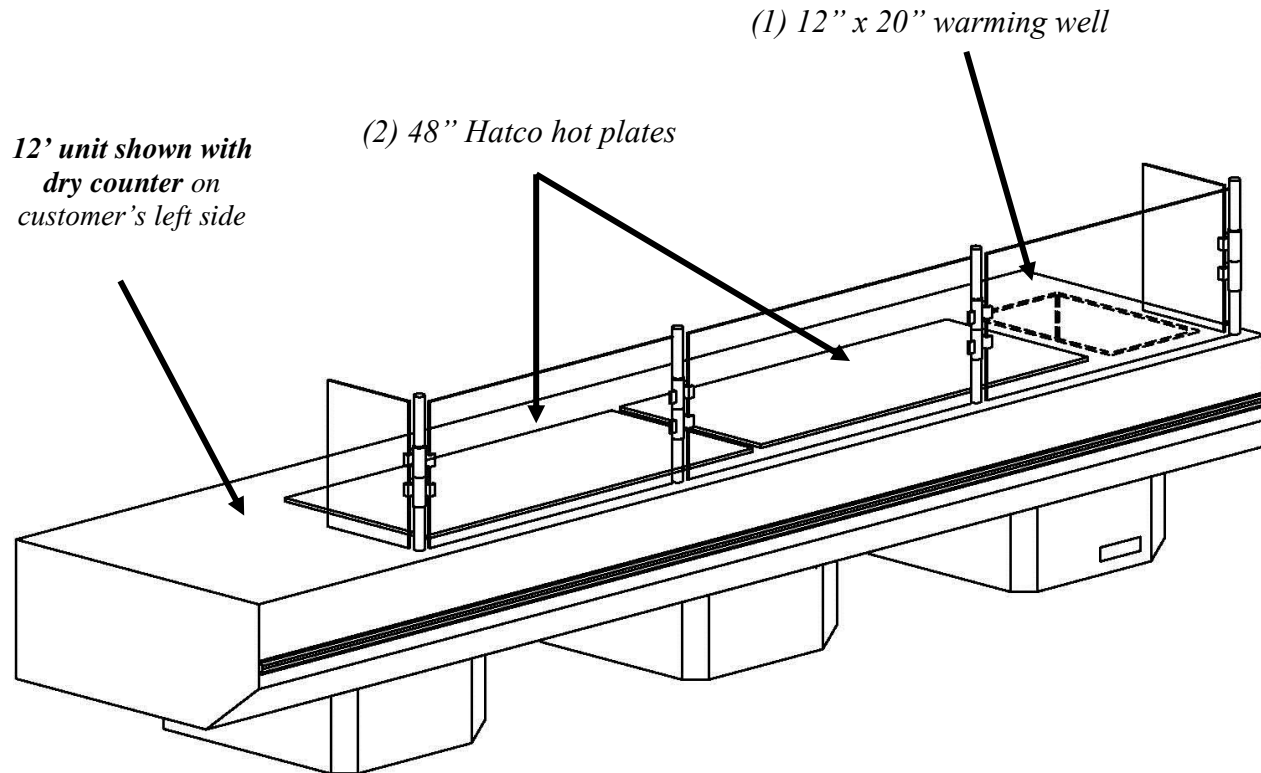


# 12' Hot Italian Food Bar with BrassSmith Sneezeguard & Pedestal Base

IP #IPS14436-P  
12'-0" L x 37" D x 58"H



Length of Hot Case - 12'

Hot well on

Customer right  or left  side  
(please check one)

Dry counter on

Customer right  or left  side  
(please check one)

Body: 304 stainless

Bumper color: McCue #101 Stock Gray

Approved by \_\_\_\_\_

Date \_\_\_\_\_

Internal Part #	Custom Description	Dimensions	Voltage	Amps 1 Ph
IPS14436-P	12' Italian Hot Food Bar	12'-0" L x 37" D x 58" H	120/208	17.7



**Atlantic Food Bars**

Toll Free 888-632-5765

[www.atlanticfoodbars.com](http://www.atlanticfoodbars.com)

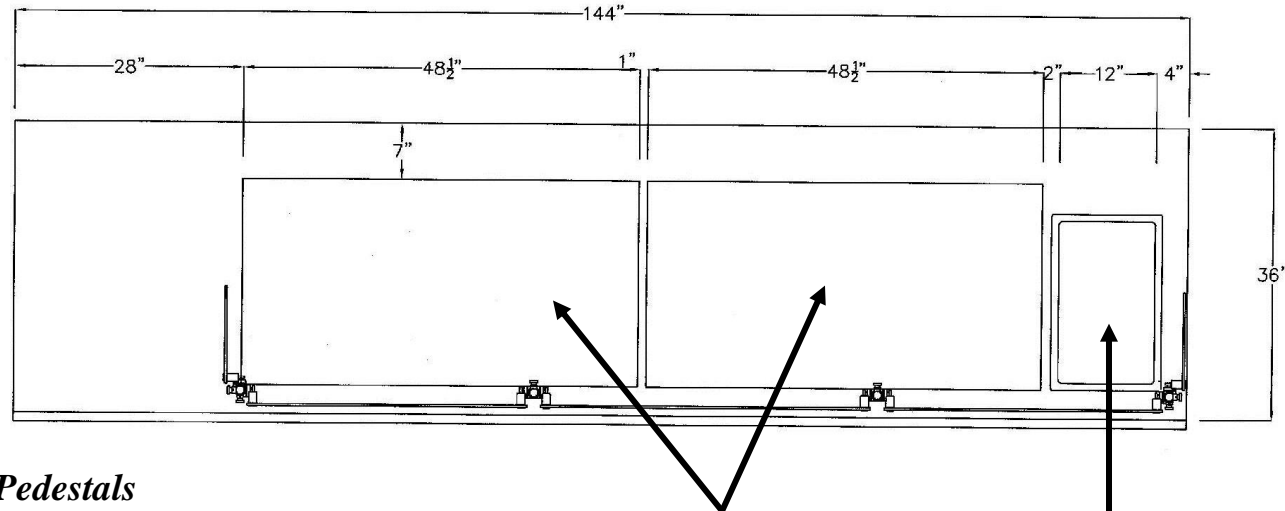
# Hy-Vee

## 12' Hot Italian Food Bar with BrassSmith Sneezeguard & Pedestal Base

IP #IPS14436-P

12'-0" L x 37" D x 58"H

*Plan View – Hot Plates & Well*

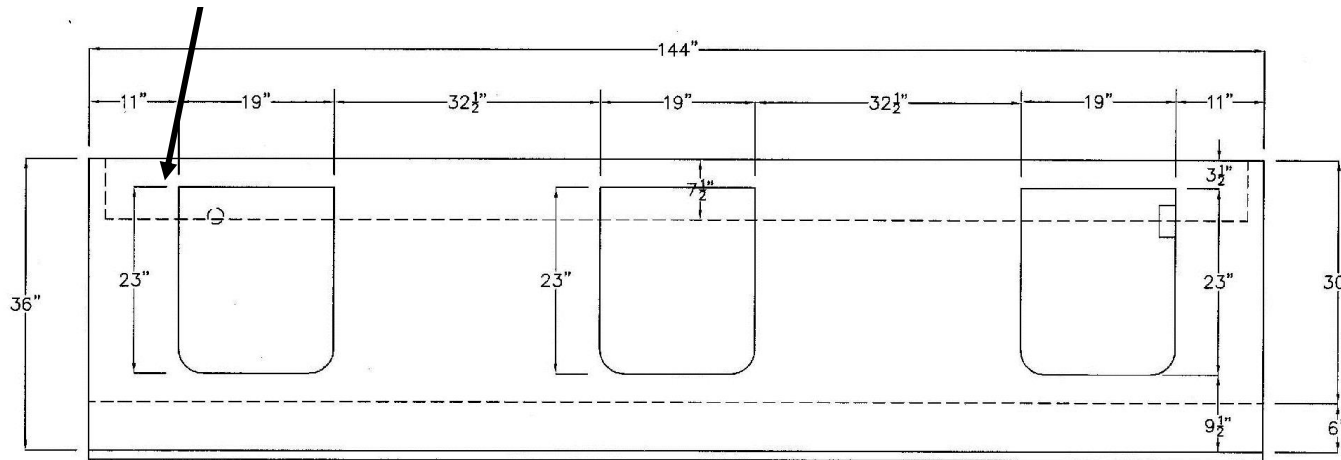


2 ea. 48" Hatco Hot Plates

1 ea. 12" x 20" Warming Well

Junction box – located on side wall opposite hot well side

*Plan View - Pedestals*



*Customer Side*

Internal Part #	Custom Description	Dimensions	Voltage	Amps 1 Ph
IPS14436-P	12' Italian Hot Food Bar	12'-0" L x 37" D x 58" H	120/208	17.7



**Atlantic Food Bars**

Toll Free 888-632-5765

[www.atlanticfoodbars.com](http://www.atlanticfoodbars.com)