

Build your seafood sales and profits with our FSM Series Full Service ICE ONLY Fresh Seafood Merchandisers. Captivate customers !

Tilt-out, swing-out or convertible full / self service style tempered glass sneezeguard allows easy access and cleaning or loading from the front of the case, while anti-slip steps in the rear feature a retention channel and tip-free design to ensure safety when merchandising and selling.



Removable stainless steel drip trays feature ice stops to keep ice in place. Lexan end panels create visibility from all angles for your shoppers. Duplex receptacles are included with scale platforms

Deep merchandising wings allow for more display area to build your sales per linear foot. Customize with countless options and accessories to make your seafood display stand out and become a full-service profit center!



This seafood merchandiser is a **MONEY MAKER** and a **SELL-THROUGH BEAST** !



SEA

Atlantic Food Bars

Hot & Cold Food Equipment Specialists

888-MEAL-SOLUTIONS (888-632-5765)

info@atlanticfoodbars.com

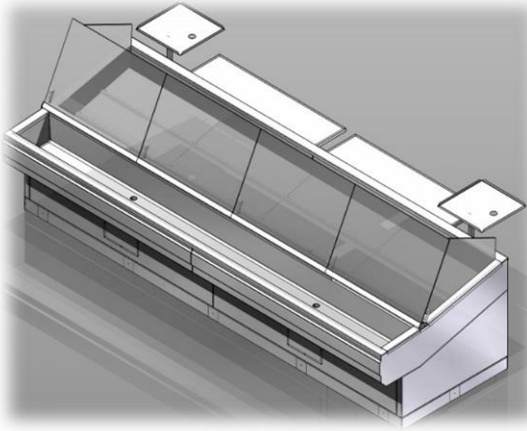
www.atlanticfoodbars.com



**Full Service Ice Only
FSM Series
Non-Refrigerated Seafood Merchandiser**

FSM Series

Full Service Ice Only Non-Refrigerated Seafood Merchandiser



FSM9642 Shown with Front ICED Clam Bar



FSM3642 Shown

Standard Features

- Frameless tilt-out tempered glass front sneeze guard with no plastic to scratch, craze or crack
- Anti-slip steps with retention channel and tip-free design
- 3/8" thick polycarbonate end panels with polished edges
- Removable stainless steel drip trays
- Stainless steel ice stops keep ice in place
- Wash down hose

Options

- Pedestal base
- Curved glass in lieu of flat
- Diamond plated finish on body
- Deep merchandising wing
- 12" self service iced clam bar on front
- Mist system
- Automatic flush down system
- Swing out glass hardware
- Combination wrap stand with paper roll holder & cutter
- Combination scale stand with sliding cutting board
- Wrap stand or bag shelf



SEA

Atlantic Food Bars

Hot & Cold Food Equipment Specialists

888-MEAL-SOLUTIONS (888-632-5765)

info@atlanticfoodbars.com

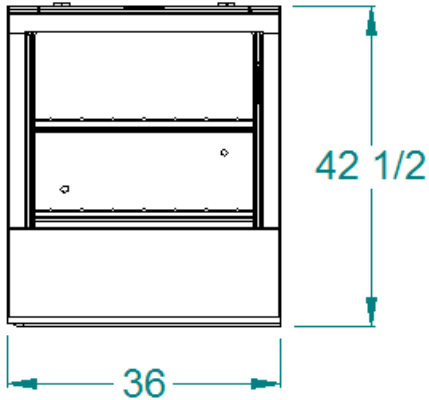
www.atlanticfoodbars.com



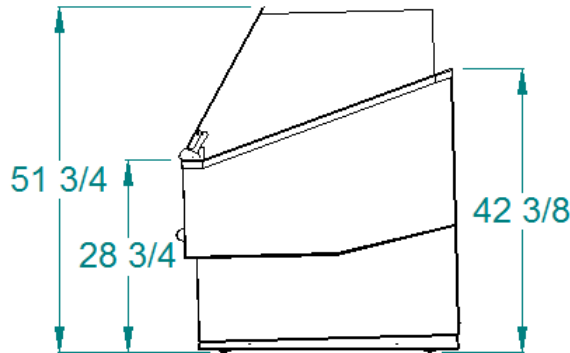
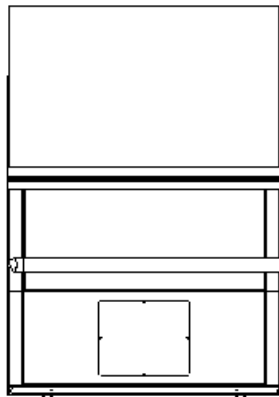
FSM Series

Full Service Ice Only Non-Refrigerated Seafood Merchandiser

Atlantic Food Bars FSM Series Full Service Refrigerated Fresh Seafood Merchandiser are covered by our INDUSTRY'S LONGEST WARRANTY – 1 year parts and labor. Warranty does not cover glass breakage or heat lamps, or abuse / misuse by operator. In line with its policy to continually improve its products, Atlantic Food Bars reserves the rights to change materials and specifications without notice.



3' example case shown – available in ANY length, ANY depth, ANY height, ANY shape, ANY angle



<i>IP Code</i>	<i>O.A. Dimensions L" x W" x H"</i>	<i>Electrical</i>
FSM3642	36" x 42" x 43"	Optional 120V 20A duplex receptacle for scale
FSM4842	48" x 42" x 43"	
FSM6042	60" x 42" x 43"	
FSM7242	72" x 42" x 43"	
FSM9642	96" x 42" x 43"	
FSM12042	120" x 42" x 43"	
FSM14442	144" x 42" x 43"	
FSM19242	192" x 42" x 43"	



Atlantic Food Bars

Hot & Cold Food Equipment Specialists

888-MEAL-SOLUTIONS (888-632-5765)

info@atlanticfoodbars.com www.atlanticfoodbars.com



Options, accessories and features offer you the perfect merchandiser for your fresh seafood operation!

INTEGRATED ENCLOSED BULK FOOD SECTION

Offer your customers additional eye candy and generate more add-on sales by merchandising ceviche, salsas and seafood accompaniments that can be sold by the pound.



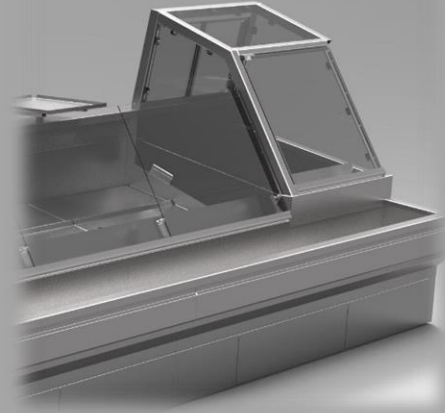
SWING-OUT GLASS HARDWARE

As visually appealing as it is functional - less opportunity for glass breakage, and greater ease of cleanability from the front of the case.



... AND SO MUCH MORE!

Custom angles - Diamond-plated finish - Misting system - Pedestal base - Auto-washdown system - Paper roll cutter - Curved glass - Rear poly work shelf - Wrap stand / bag shelf - Custom stainless steel food pans



SELF-SERVICE FRONT CLAM BAR

Available as refrigerated, dry or ice-only - integrated or fully mobile. Create impulse sales with grab & go packaged goods, or perishables such as bagged clams.



LED ACCENT LIGHTING

Make your seafood case stand out from the crowd! Brilliant illumination in color of your choice attracts shoppers like bees to honey.



Full Service Ice Only
FSM Series
Non-Refrigerated Seafood Merchandiser



Atlantic Food Bars

Hot & Cold Food Equipment Specialists

888-MEAL-SOLUTIONS (888-632-5765)

info@atlanticfoodbars.com

www.atlanticfoodbars.com



Options, accessories and features offer you the perfect merchandiser for your fresh seafood operation!

Full Service Ice Only
Non-Refrigerated Seafood Merchandiser
FSM Series

FLIP UP GLASS FOR CONVERSION FROM FULL SERVICE TO SELF-SERVICE

No tools required – convenience to sell how it works best for your seafood operation depending on product, promotions and time of day!



ICED SELF-SERVICE FRONT BUNKER

Generate additional grab & go impulse sales in your seafood department.

SLIDING FRONT GLASS PANELS FOR CONVERSION FROM FULL SERVICE TO SELF-SERVICE

No tools required – complete pass-through convenience from your employees to your shoppers.



SEA
Atlantic Food Bars
Hot & Cold Food Equipment Specialists
888-MEAL-SOLUTIONS (888-632-5765)
info@atlanticfoodbars.com www.atlanticfoodbars.com

