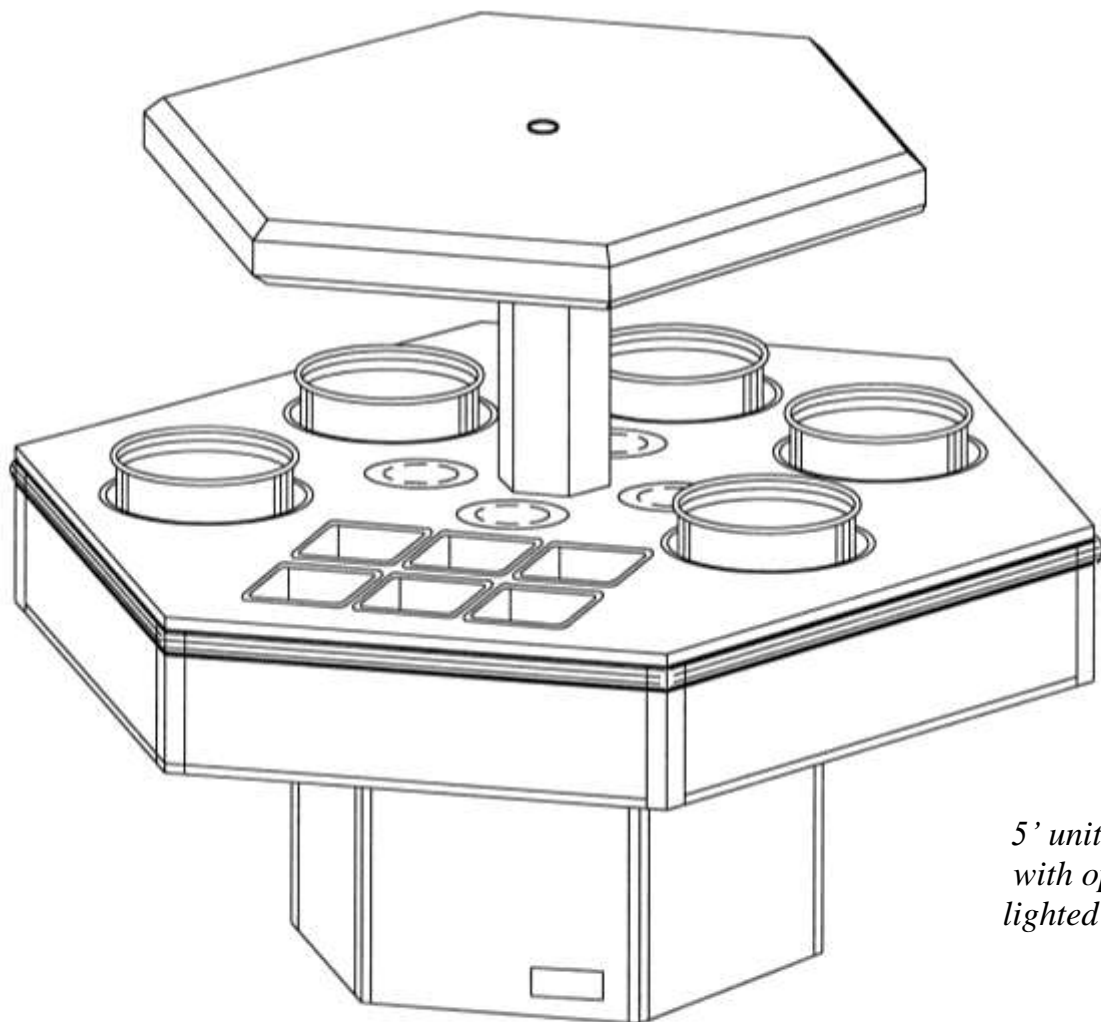
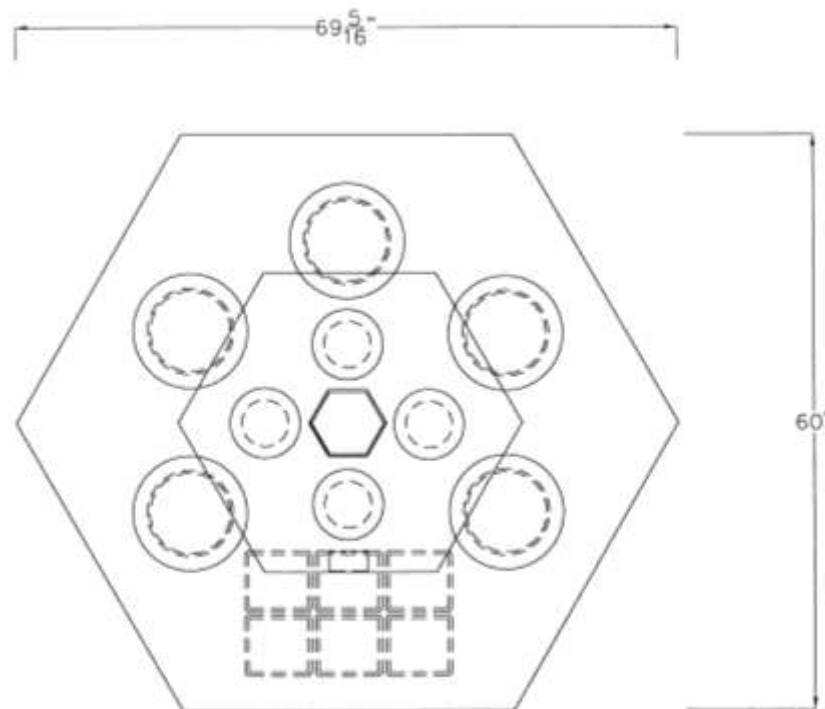


Island Hexagonal Soup Bar with Lighted Canopy

IP #SBHX6069-BOZ
5'-11" L x 5'-2" D x 54 1/2" T



5' unit shown
with optional
lighted canopy



Plan View

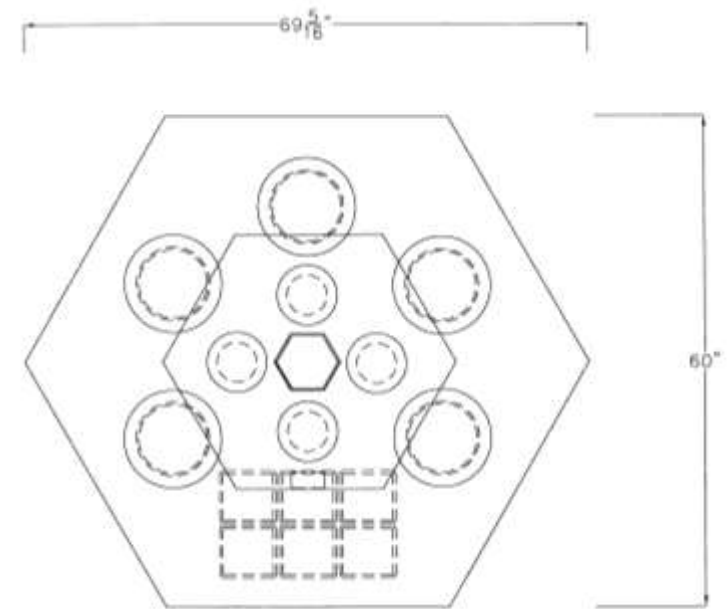
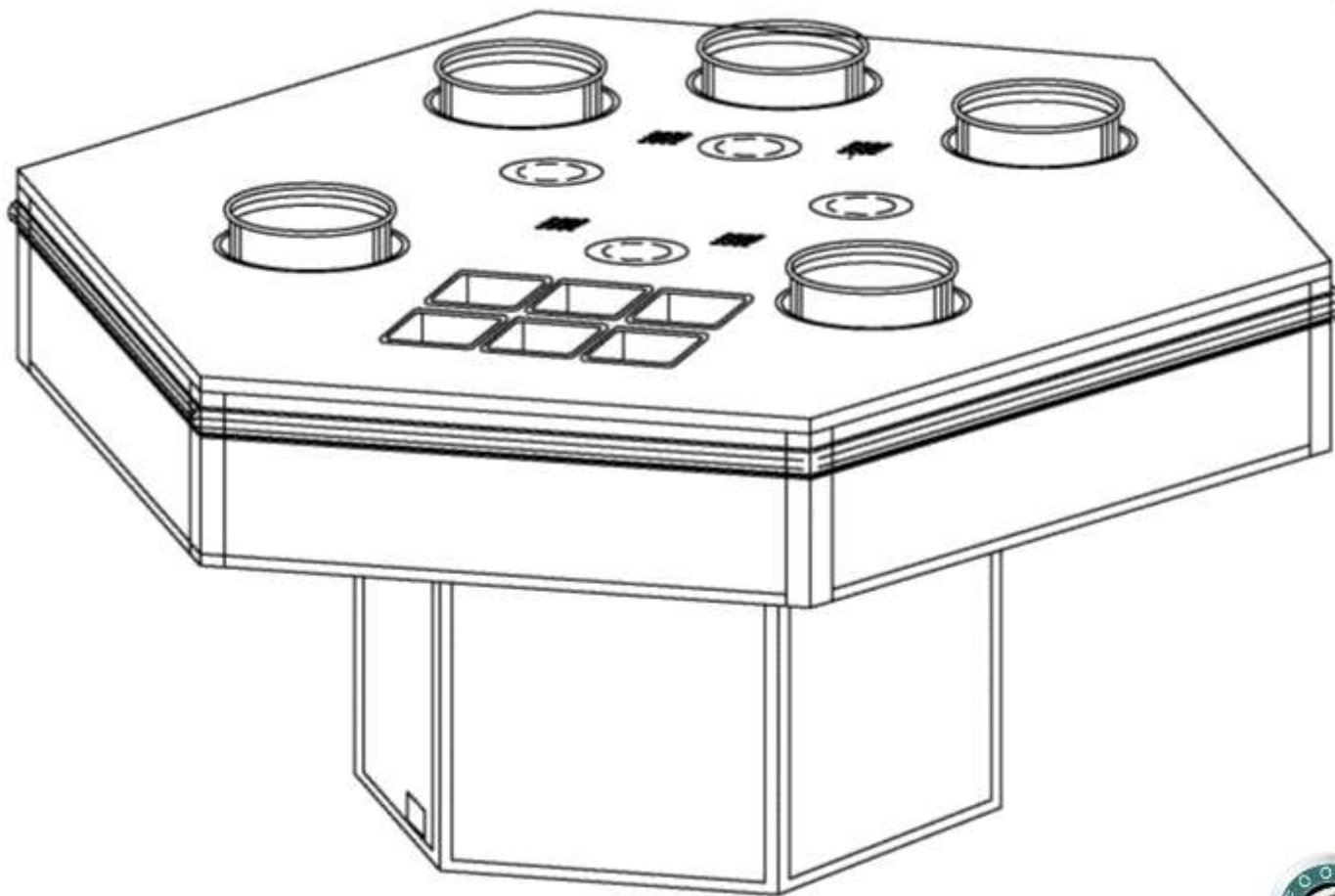
Internal Part #	Custom Description	Dimensions	Voltage	Amps 1 Ph	11-qt Soup Warming Wells
SBHX6069-BOZ	5' Hexagonal Soup Merchandiser	5'-11" L x 5'-2" D x 54 1/2" H	120/208	15.2	5



Atlantic Food Bars
Your **HOT & COLD** Food Equipment Specialist!
888-MEAL-SOLUTIONS (888-632-5765)
www.atlanticfoodbars.com

Island Hexagonal Soup Bar without canopy

IP #SBHX6069-BOZ
5'-11" L x 5'-2" D x 54 1/2" T



5' unit shown

Plan View

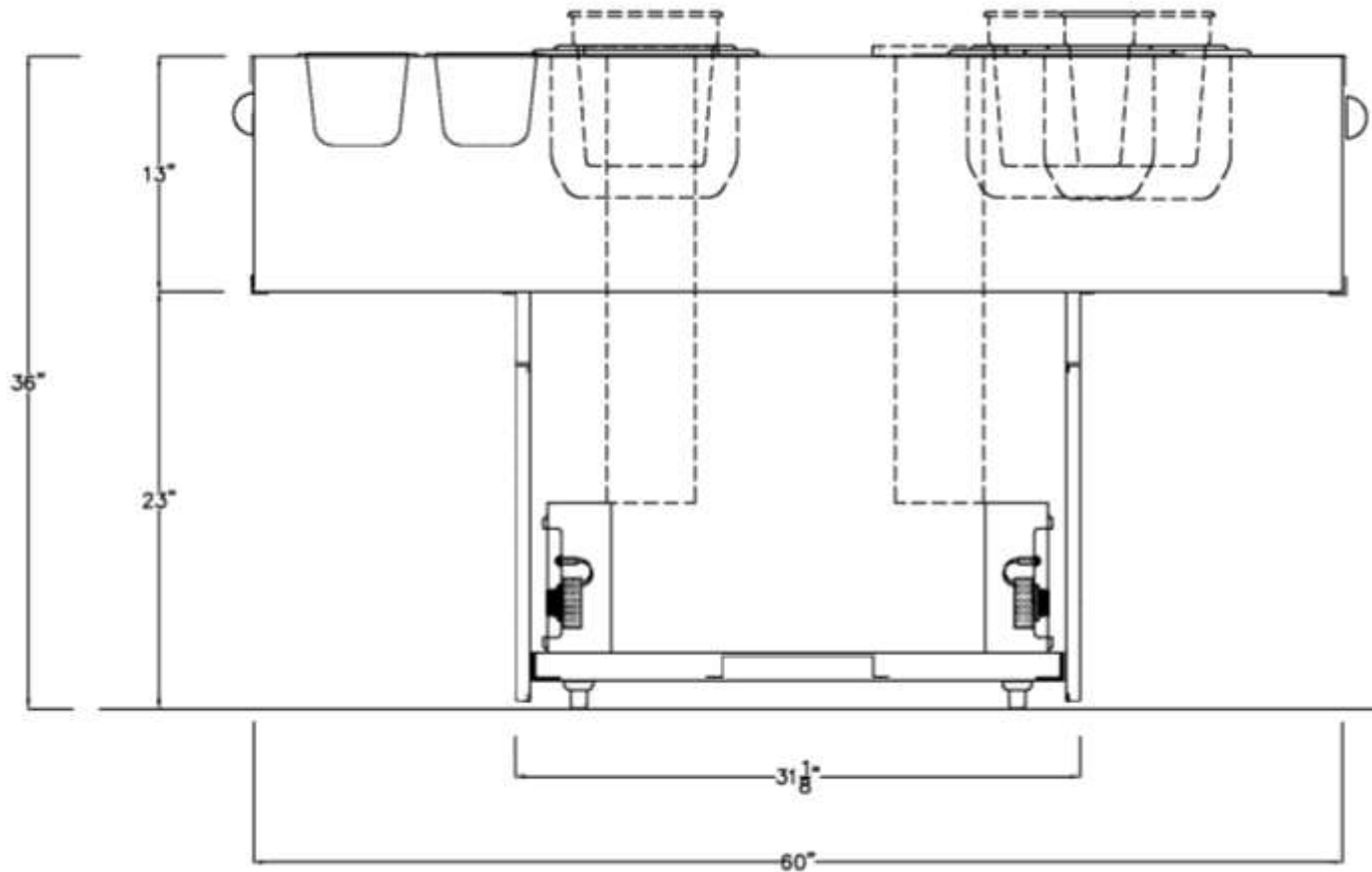


Atlantic Food Bars
Your **HOT & COLD** Food Equipment Specialist !
888-MEAL-SOLUTIONS (888-632-5765)
www.atlanticfoodbars.com

Island Hexagonal Soup Bar without canopy

IP #SBHX6069-BOZ
5'-11" L x 5'-2" D x 54 1/2" T

Cross Section



Internal Part #	Custom Description	Dimensions	Voltage	Amps 1 Ph.	11-qt Soup Warming Wells
SBHX6069-BOZ	5' Hexagonal Soup Merchandiser	5'-11" L x 5'-2" D x 36" H	208	14.9	5



Atlantic Food Bars
Your **HOT & COLD** Food Equipment Specialist!
888-MEAL-SOLUTIONS (888-632-5765)
www.atlanticfoodbars.com