

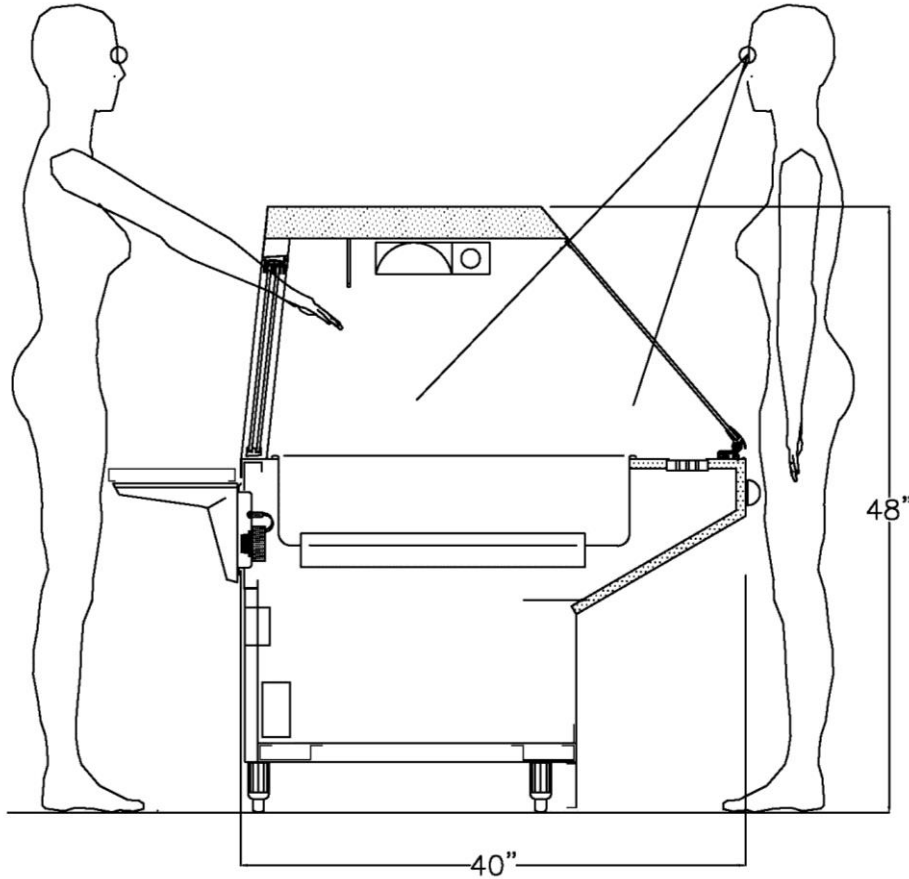
6' In-Line Full-Service Hot Meal Merchandiser

IP #SHFB7240
6'-0" L x 41" D x 48" H

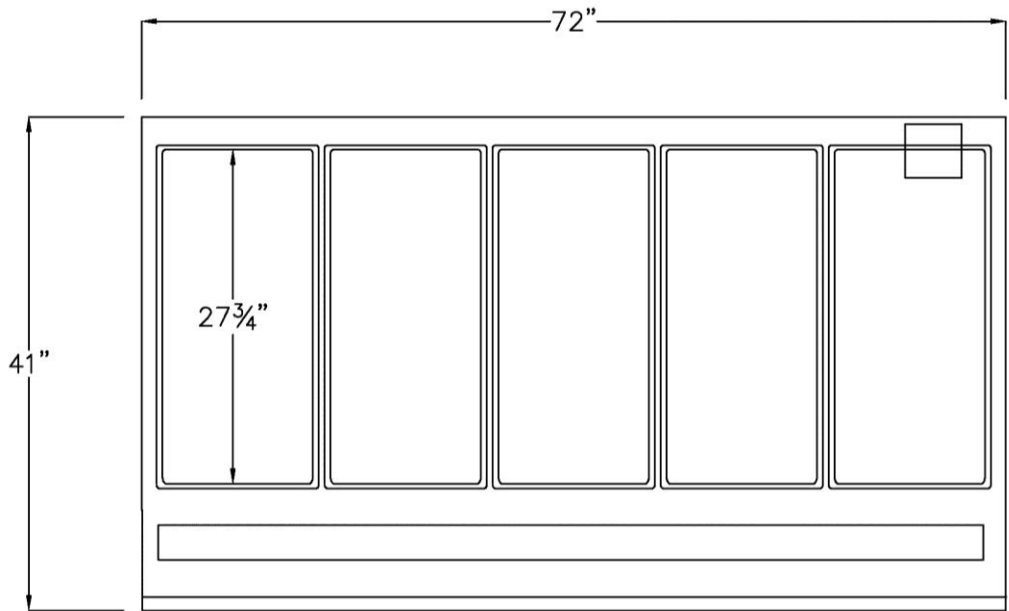
Details per sign off on page 1 and specifications on last page

Approval signature: _____

Date: _____



Cross Section



Plan View

Internal Part #	Custom Description	Dimensions	Voltage	Amps 3Ph	12" x 27" Pan Openings
SHFB7240	6' In-Line Full-Service Hot Meal Merchandiser	6'-0" L x 41" D x 48" H	120/208	26.1	5
Requires 50-amp circuit					



Atlantic Food Bars
Your **HOT** & **COLD** Food Equipment Specialist!
888-MEAL-SOLUTIONS (888-632-5765)
www.atlanticfoodbars.com