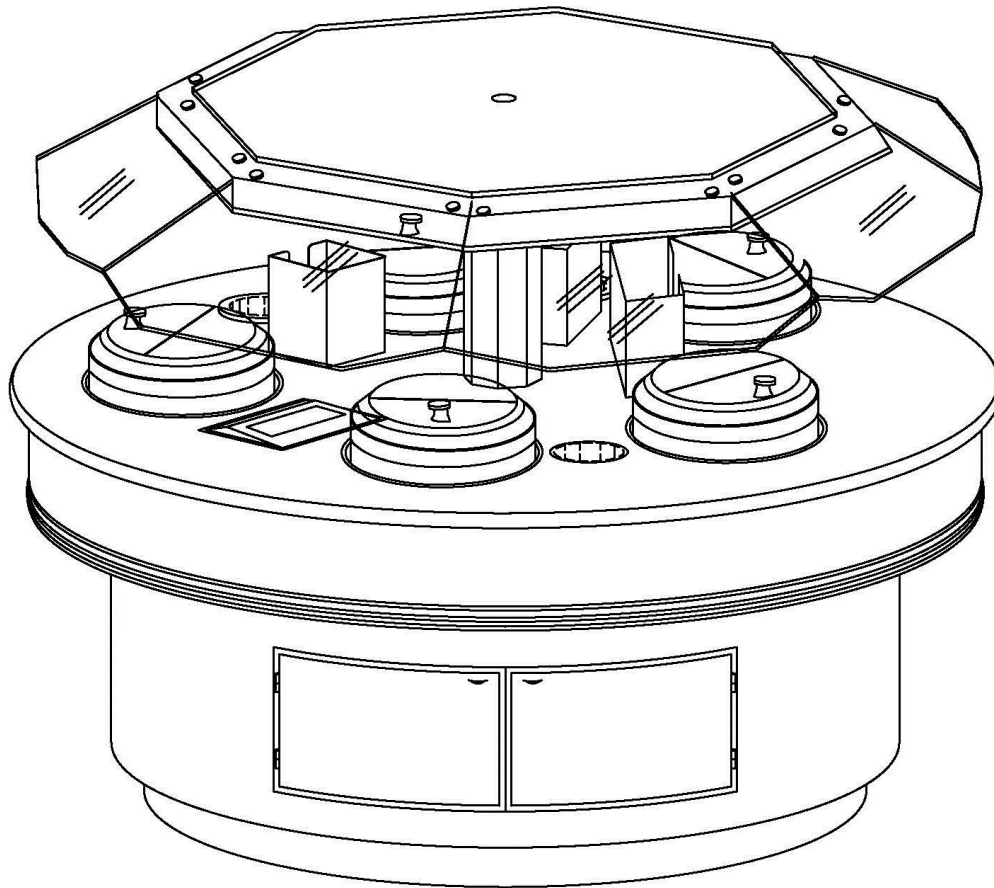


60" Five-Well Round Soup Bar with Sneezeguard

IP #SWIR6060-GC-ISW5-LED-S

60" L x 60" D x 54" H



Approval – Complete All Sections

Colors:

Body laminate: black

Bumper: black

Countertop: granite

Color

Electric:

Voltage: 120V

Phase: Single

Source: Ceiling

Delivery

Site: Loading Dock Ground Level

Delivery hours:

Depth of case is 60" which will fit through narrowest space between delivery point and install location Yes No If no – CALL US ASAP

Approval signature:

Date:

See last page for specifications table – your signature above verifies the installation site has the required power as shown

**SCROLL DOWN –
PAGE 2 HAS
ADDITIONAL VIEWS**



Atlantic SOUP Bars
Soup Merchandising
Equipment Specialists

888-MEAL-SOLUTIONS (888-632-5765)

www.atlanticfoodbars.com

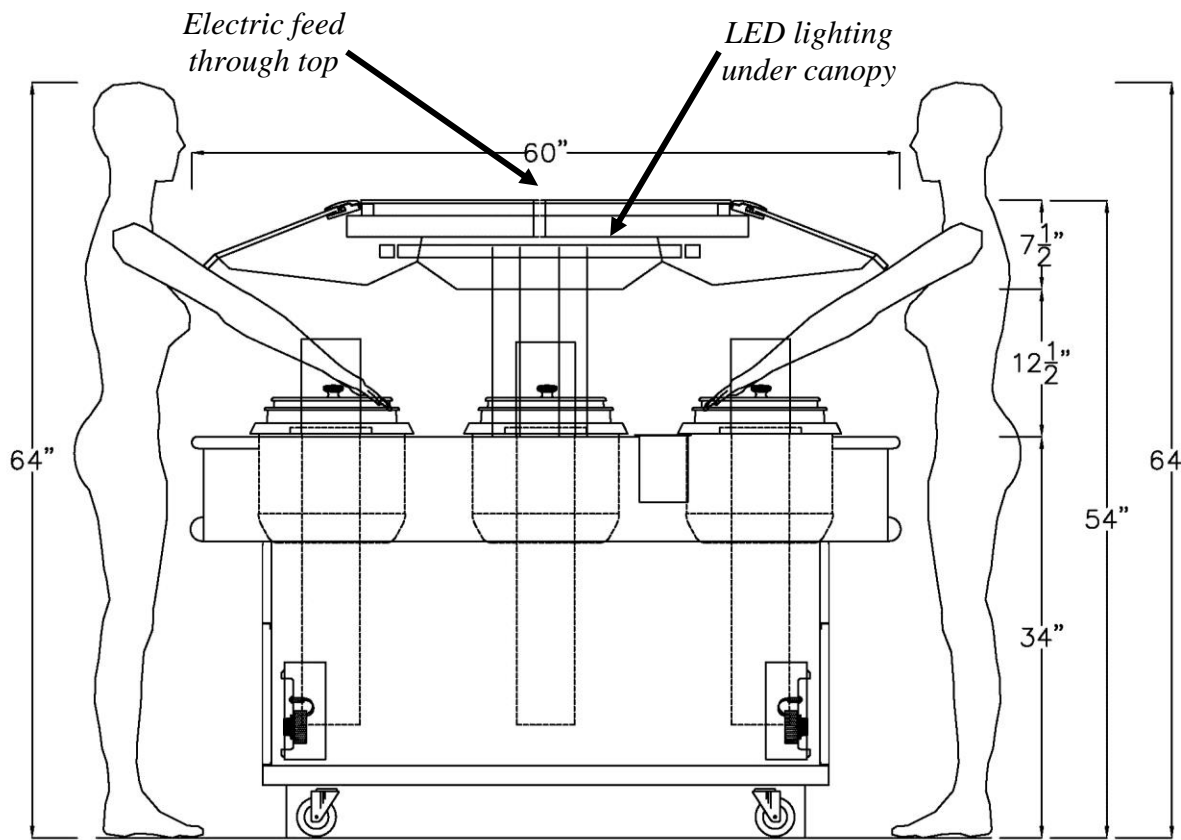
60" Five-Well Round Soup Bar with Sneezeguard

IP #SWIR6060-GC-ISW5-LED-S
60" L x 60" D x 54" H

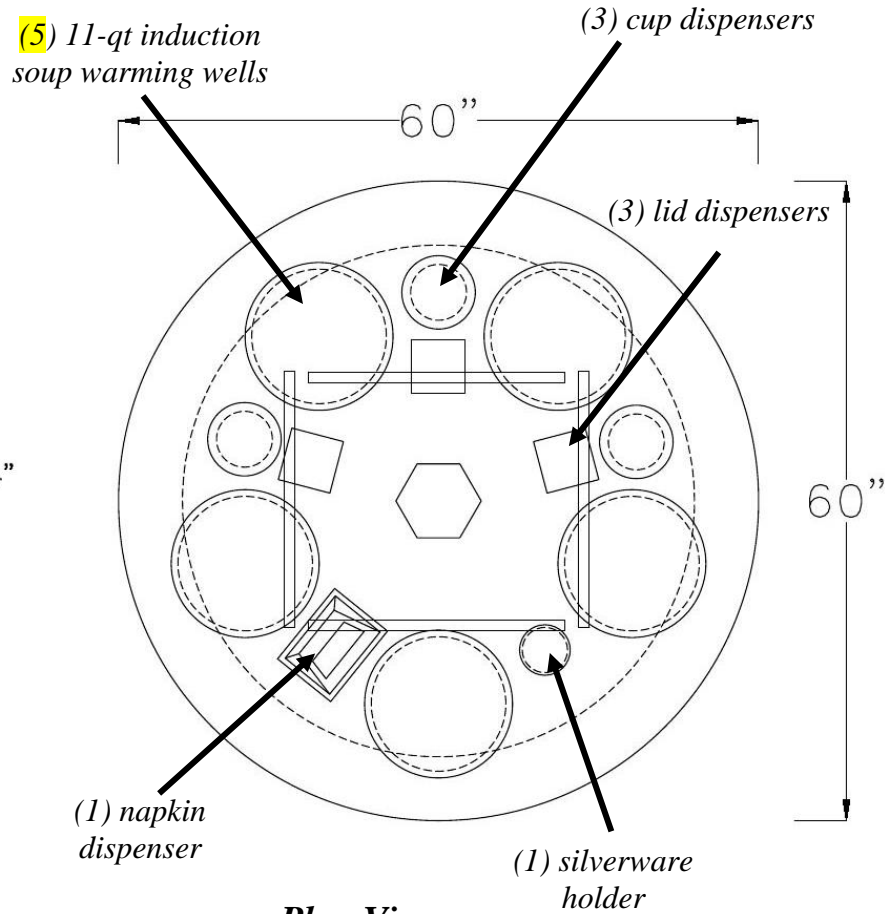
Details per sign off on page 1 and specifications on last page

Approval signature: _____

Date: _____



Cross Section



Plan View

Internal Part #	Custom Description	Dimensions	Voltage	Amps 1 Ph	11qt. Soup Well Capacity
SWIR6060-GC-ISW5-LED-S	5' Round Five-Well Island Soup Merchandiser	5'-0" L x 60" D x 54" H	120	10.8	5



Atlantic SOUP Bars
Soup Merchandising
Equipment Specialists

888-MEAL-SOLUTIONS (888-632-5765)
www.atlanticfoodbars.com