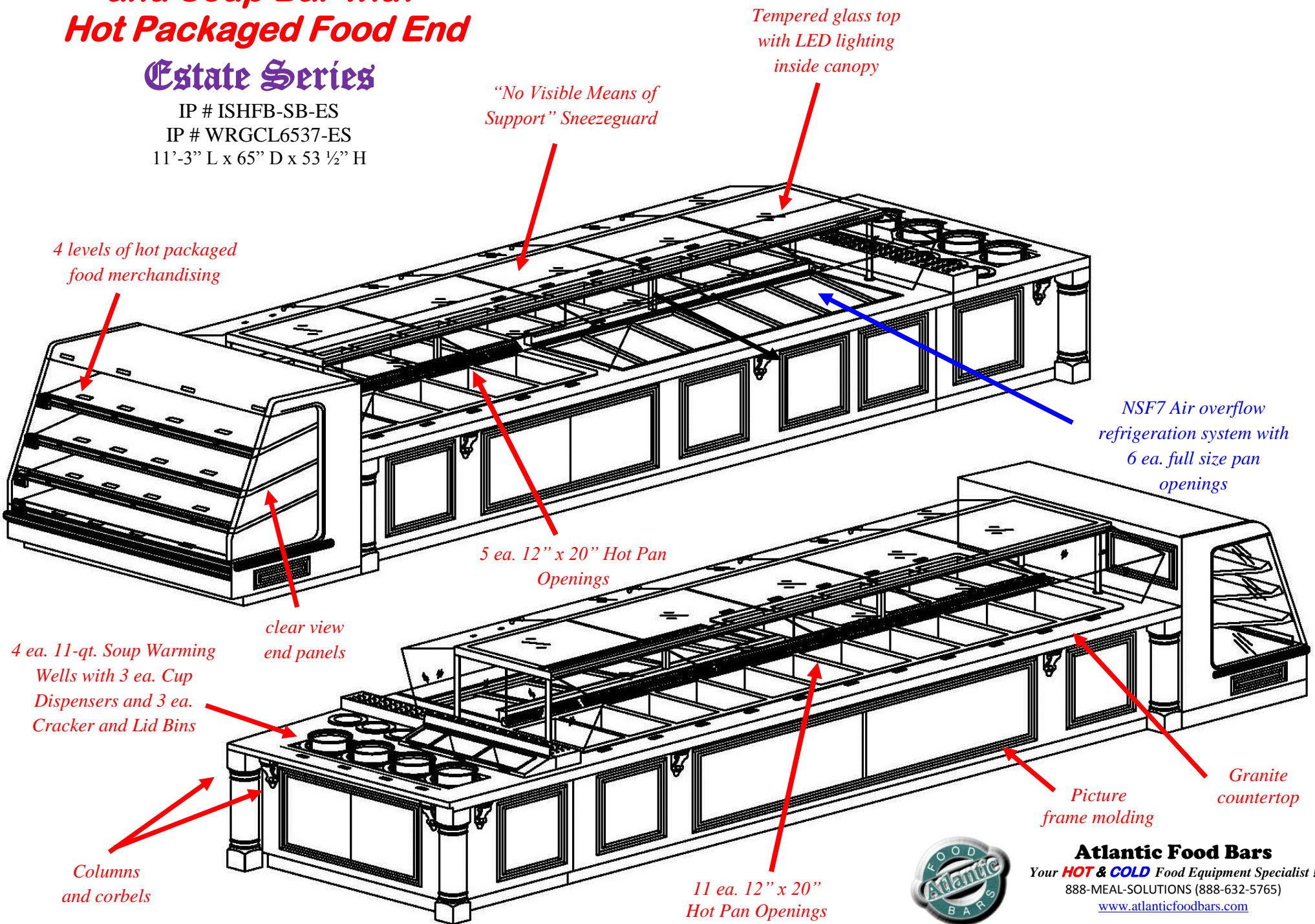


Island Hot Food, Salad and Soup Bar with Hot Packaged Food End

Estate Series

IP # ISHFB-SB-ES
IP # WRGCL6537-ES
11'-3" L x 65" D x 53 1/2" H



Tempered glass top with LED lighting inside canopy

"No Visible Means of Support" Sneeze guard

4 levels of hot packaged food merchandising

NSF7 Air overflow refrigeration system with 6 ea. full size pan openings

5 ea. 12" x 20" Hot Pan Openings

4 ea. 11-qt. Soup Warming Wells with 3 ea. Cup Dispensers and 3 ea. Cracker and Lid Bins

clear view end panels

Granite countertop

Picture frame molding

11 ea. 12" x 20" Hot Pan Openings

Columns and corbels



Atlantic Food Bars
Your **HOT & COLD** Food Equipment Specialist!
888-MEAL-SOLUTIONS (888-632-5765)
www.atlanticfoodbars.com

Island Hot Food, Salad and Soup Bar with Hot Packaged Food End

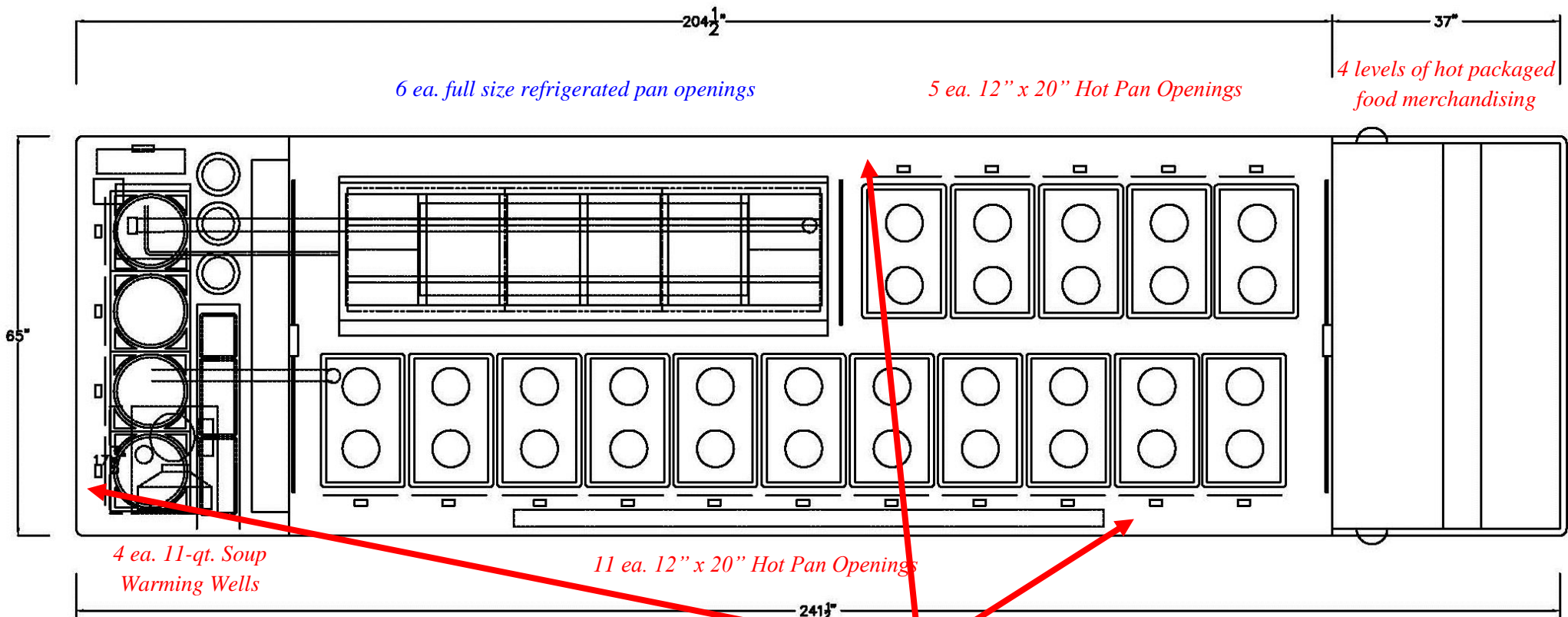
Estate Series

IP # ISHFB-SB-ES

IP # WRGCL6537-ES

11'-3" L x 65" D x 53 1/2" H

Plan View



Atlantic Food Bars
Your **HOT & COLD** Food Equipment Specialist!
888-MEAL-SOLUTIONS (888-632-5765)
www.atlanticfoodbars.com

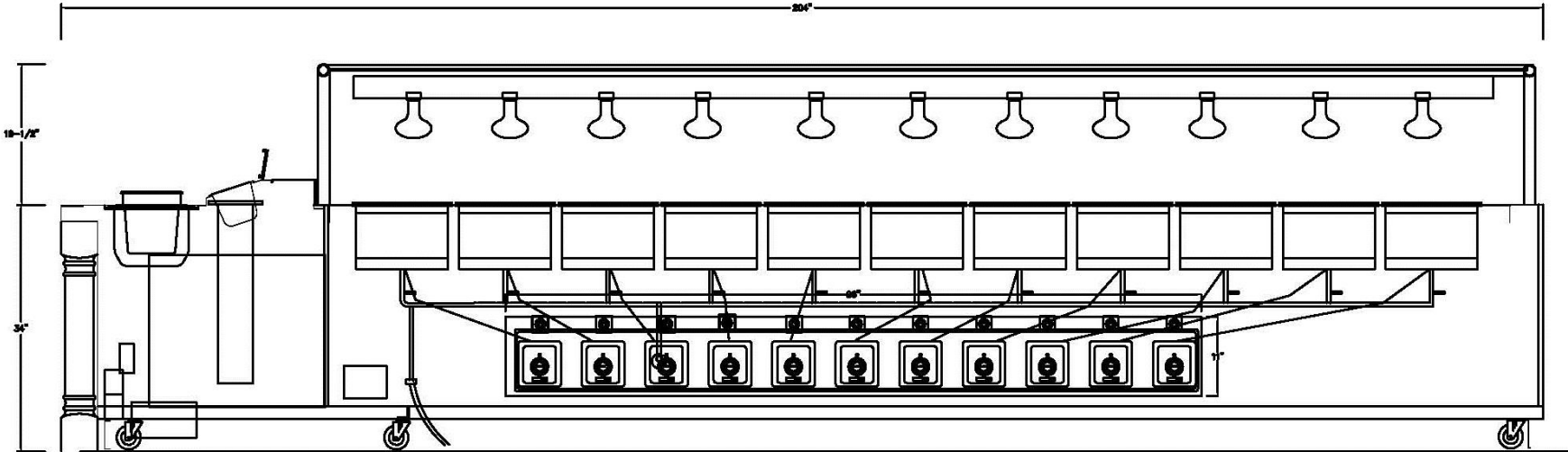
Island Hot Food, Salad and Soup Bar With Hot Packaged Food End

Estate Series

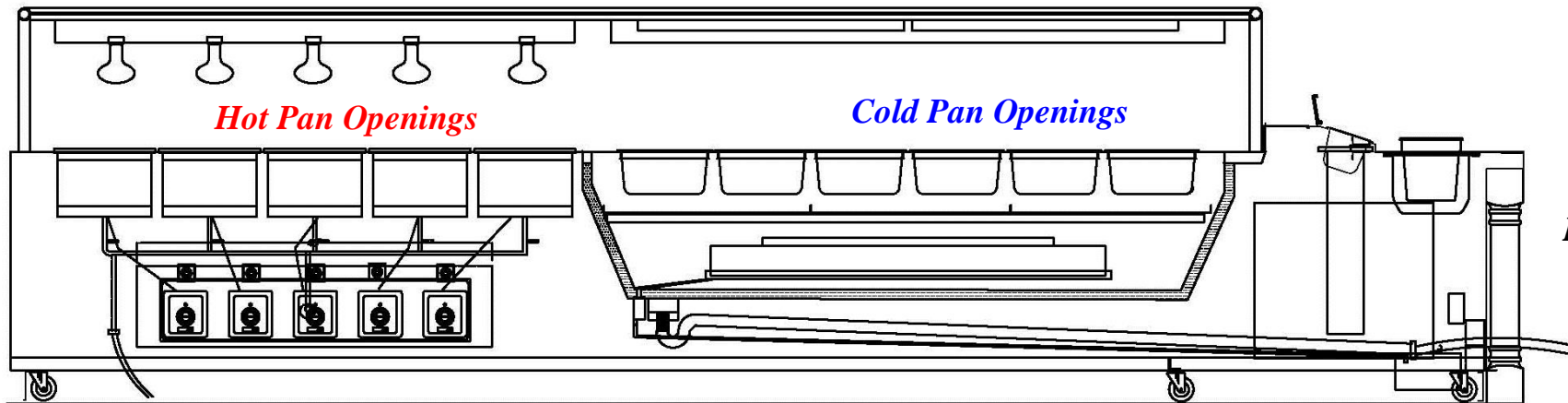
IP # ISHFB-SB-ES

IP # WRGCL6537-ES

11'-3" L x 65" D x 53 1/2" H



*Long Cross Section
Hot Pan Openings*



*Long Cross Section
Hot & Cold
Pan Openings*



Atlantic Food Bars
Your **HOT & COLD** Food Equipment Specialist!
888-MEAL-SOLUTIONS (888-632-5765)
www.atlanticfoodbars.com

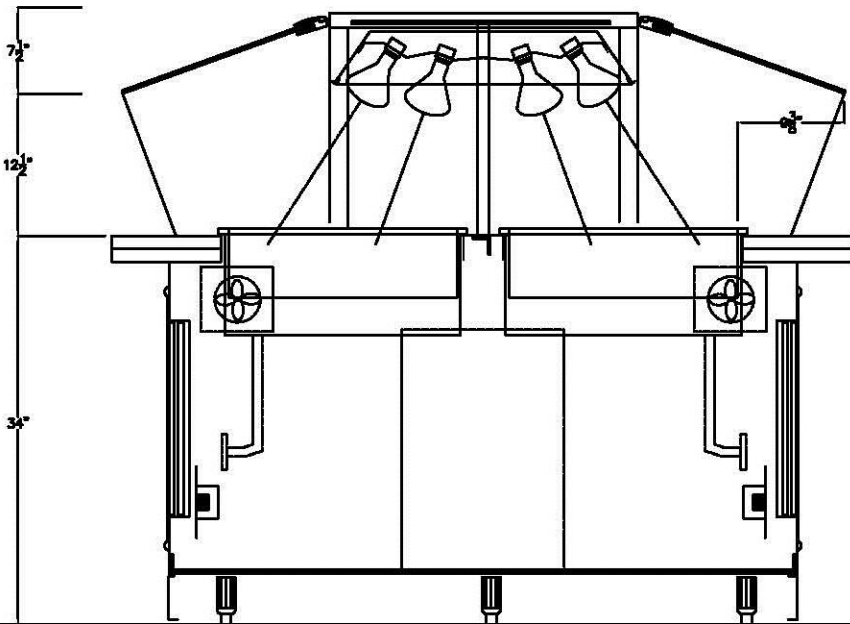
Island Hot Food, Salad and Soup Bar With Hot Packaged Food End

Estate Series

IP # ISHFB-SB-ES

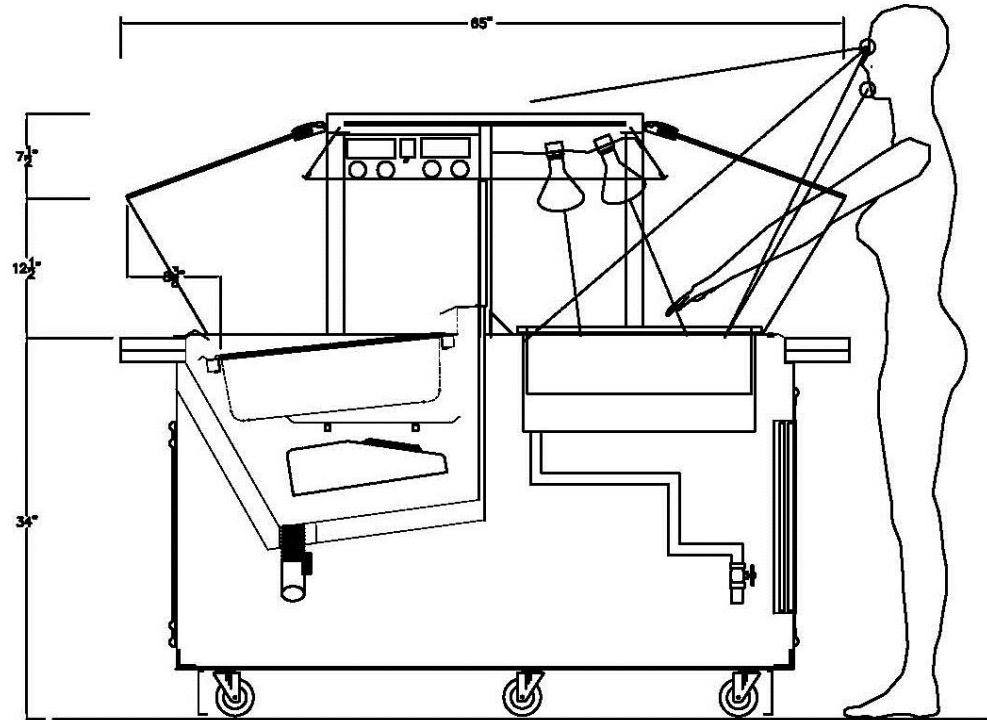
IP # WRGCL6537-ES

11'-3" L x 65" D x 53 1/2" H



Short Cross Section

Hot



Short Cross Section

Hot & Cold



Atlantic Food Bars
Your **HOT & COLD** Food Equipment Specialist!
888-MEAL-SOLUTIONS (888-632-5765)
www.atlanticfoodbars.com