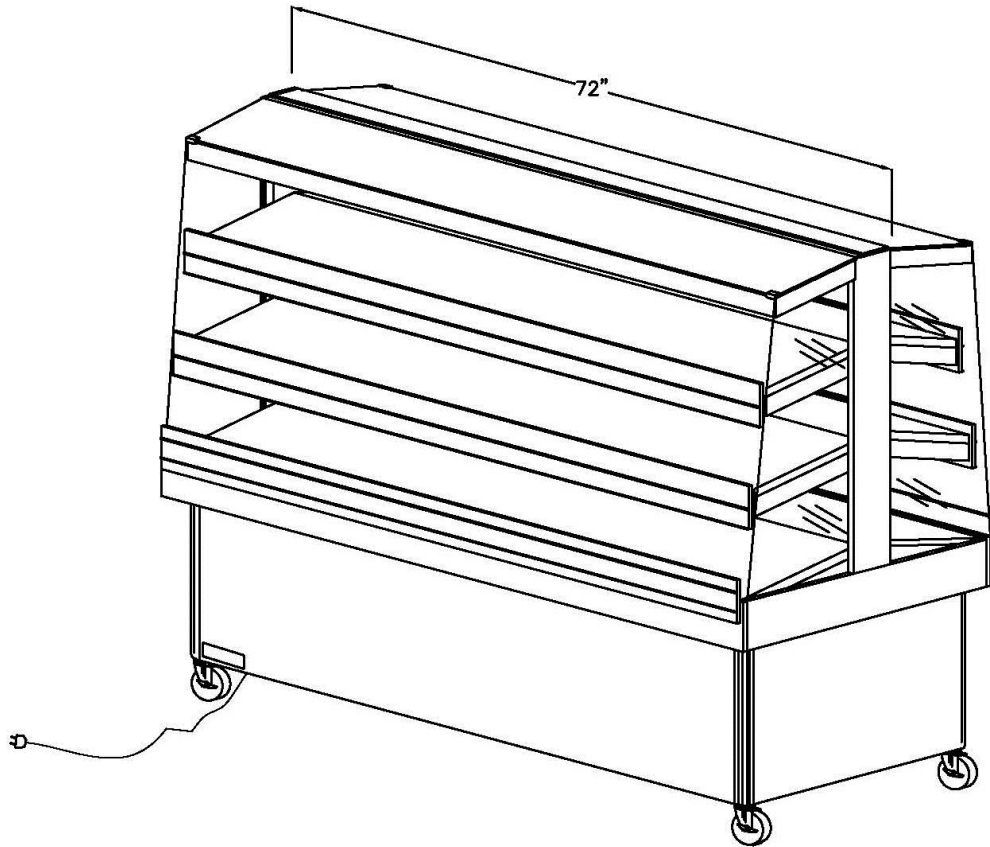


# Triple Decker

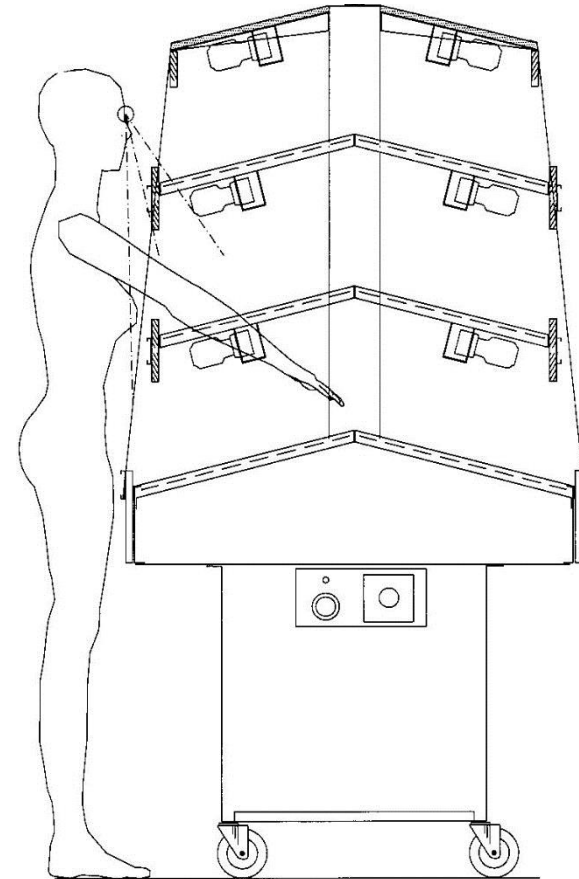
## Mobile Rotisserie Chicken & Hot Packaged Food Merchandiser

IP #HHTD7236

36" D x 69" H



*Cross Section*



Internal Part #	Custom Description	Dimensions	Voltage	Amps 1 Ph / 3 Ph	Chicken Capacity
HHTD7236	6' Mobile Triple-Decker Hot Packaged Food Merchandiser	6' L x 36" D x 69" H	120/208	N/A /42.7	66



**Atlantic Food Bars**  
 Your **HOT & COLD** Food Equipment Specialist!  
 888-MEAL-SOLUTIONS (888-632-5765)  
[www.atlanticfoodbars.com](http://www.atlanticfoodbars.com)