

Make your Hot Grab & Go Food offerings a self service profit center anywhere in your store with our HHDD Series Two-Level Mobile Hot Grab & Go Merchandiser !



2 Tier

With two hot levels, you can increase your offering, create more impulse sales, and grow your hot food program. Based upon hourly and daily traffic patterns, you can utilize infinite temperature control for each individual hot deck, controlling shrink, while maximizing merchandising impact.

This mobile two level case is ideal, not just for rotisserie chicken, but for all packaged foods – you can turn off the heat on the lower level to merchandise dry goods to minimize shrink during slow shopping periods, without looking like the case is not fully merchandised. If you are selling hot food full service, you won't believe the profitability of this self service unit due to reduced labor costs, convenience for shoppers, higher sales and lower shrink.

This unit is a **MONEY MAKER** and a **SELL-THROUGH BEAST !**



HHDD Series Two-Level Mobile Hot Food / Rotisserie Chicken Grab & Go Merchandiser



HOT
Atlantic Food Bars
Hot & Cold Food Equipment Specialists

888-MEAL-SOLUTIONS (888-632-5765)

info@atlanticfoodbars.com www.atlanticfoodbars.com



HHDD Series

Two-Level Mobile Hot Food / Rotisserie Chicken Grab & Go Merchandiser



Standard Features

- Double deck design offers more capacity in a small footprint, as well as cross merchandising opportunities
- Slanted decks display food beautifully
- Attractive and durable stainless steel finish
- Tempered glass end panels provide exceptional product exposure with no plastic to scratch, craze or crack
- Brilliant LED lighting system on each level illuminates product evenly and produces incremental impulse sales
- High output heat element in deck provides consistent heat and unmatched reliability
- Adjustable temperature control for the heated decks and dimmer switch for top heat and lighting

- Easy accessible controls located in base behind access door
- Digital temperature readout and thermostat
- Heavy duty locking casters
- Complete with cord and plug
- 3" PTM with product stop on each side of case
- Arrives fully assembled – unwrap, plug in and start selling!

Options

- Entire body to be powder coated steel in lieu of stainless steel
- Rotisserie chicken photos
- Wood bread baskets
- Electric feed through top of case



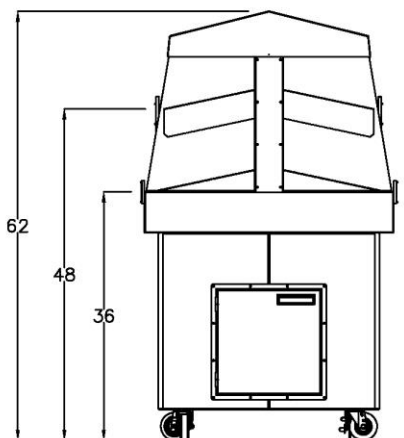
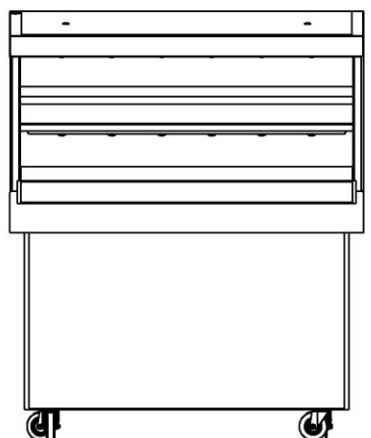
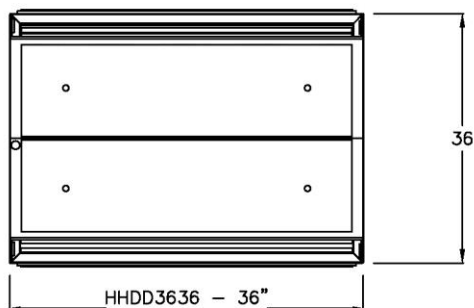
HOT
Atlantic Food Bars
Hot & Cold Food Equipment Specialists
888-MEAL-SOLUTIONS (888-632-5765)
info@atlanticfoodbars.com www.atlanticfoodbars.com



HHDD Series

Double Deck Mobile Hot Food / Rotisserie Chicken Grab & Go Merchandiser

Atlantic Food Bars HH Series Mobile Hot Food / Rotisserie Chicken Grab & Go Merchandiser is covered by our INDUSTRY'S LONGEST WARRANTY – 2 year parts and labor. Warranty does not cover glass breakage or heat lamps, or abuse / misuse by operator. In line with its policy to continually improve its products, Atlantic Food Bars reserves the rights to change materials and specifications without notice.



IP Code	O.A. Dimensions L" x W" x H"	Capacity	Voltage
HHDD3636	36" x 36" x 62"	22 Chickens	120/208
HHDD5136	51" x 36" x 62"	32 Chickens	120/208
HHDD6036	60" x 36" x 62"	38 Chickens	120/208
HHDD7236	72" x 36" x 62"	50 Chickens	120/208



HOT

Atlantic Food Bars

Hot & Cold Food Equipment Specialists

888-MEAL-SOLUTIONS (888-632-5765)

info@atlanticfoodbars.com

www.atlanticfoodbars.com



Options, accessories and features create the perfect merchandiser for YOUR food service operation!

ALSO AVAILABLE IN 3 TIER MODEL MAX OUT YOUR MERCHANDISING WITH ONE, TWO OR THREE HOT LEVELS

Increase sales in a compact footprint by going vertical! This shop-around multi-deck case can offer as much or as little as you desire, in 3' / 4' / 5' / 6' standard or custom configurations.



INFINITE HEAT CONTROL - EACH INDIVIDUAL LEVEL

Control the top and bottom heat on each tier! Heat lamps and hot decks feature individual temperature control, allowing you to intelligently stock your case and minimize shrink based upon periods of fluctuating demand. Merchandise dry goods on one shelf while selling hot rotisserie chicken and packaged grab & go products on other levels at the same time!



WOOD BREAD BASKETS

Allow your customers to "make it a meal" with additional merchandising display space for dry goods in a minimal footprint.



CUSTOM SIGN PACKAGE

Two levels of sign track allow for easy, organized display of product signage. Custom sign packages come with every case – fill out our signage form at the time of your order, and your individual labels will be ready to slide right into the price tag molding the moment you receive the merchandiser!

Options & Features

HHDD Series



HOT
Atlantic Food Bars
Hot & Cold Food Equipment Specialists
888-MEAL-SOLUTIONS (888-632-5765)
info@atlanticfoodbars.com www.atlanticfoodbars.com

