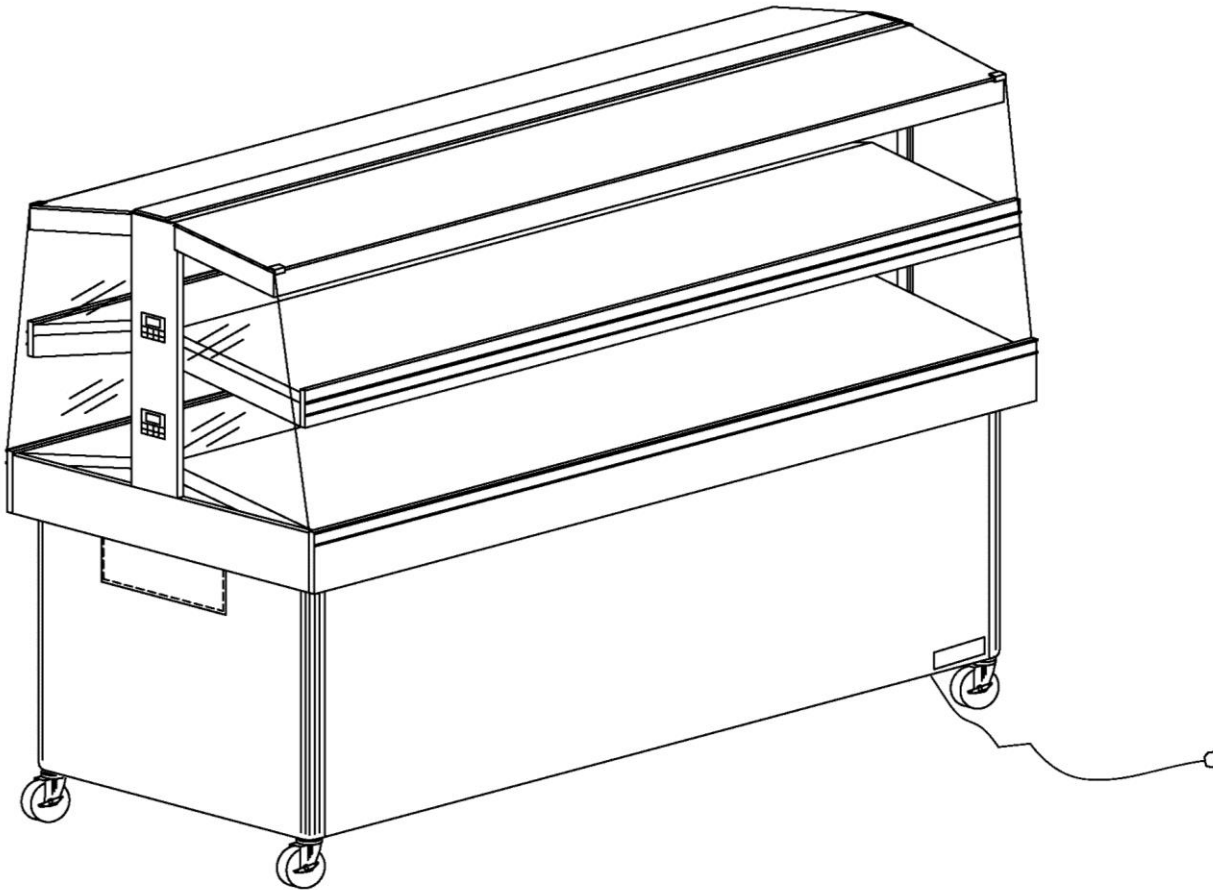


6' DOUBLE DECK

Mobile Rotisserie Chicken & Packaged Hot Food Merchandiser

IP #HHDD7236
6'-0" L x 36" D x 62" H



Approval – Complete All Sections

Colors:

Body: Stainless Steel

Electric:

Voltage 120V/208

Phase: Single

Delivery

Site: Loading Dock Ground Level

Delivery hours: _____

Depth of case is 36" which will fit through narrowest space between delivery points and install location. Yes No If no – CALL US ASAP

Approval signature: _____

Date: _____

See last page for specifications table – your signature above verifies the installation site has the required power as shown



HOT

Atlantic Food Bars
Hot Food Merchandising
Equipment Specialists

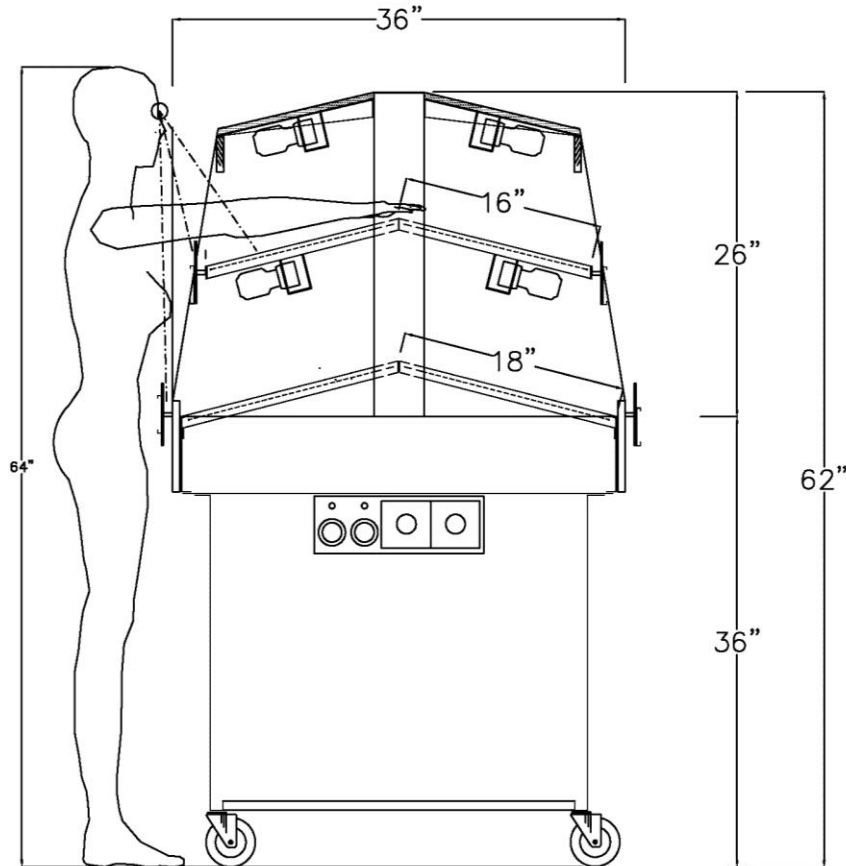
888-MEAL-SOLUTIONS (888-632-5765)

www.atlanticfoodbars.com

6' DOUBLE DECK

Mobile Rotisserie Chicken & Packaged Hot Food Merchandiser

IP #HHDD7236
6'-0" L x 36" D x 62" H



Cross Section

Details per sign off on page 1 and specifications below

Approval signature: _____

Date: _____

| Internal Part # | Custom Description | Dimensions | Voltage | Amps 1 Ph | Chicken Capacity |
|-----------------|--|-------------------------|---------|-----------|------------------|
| HHDD7236 | 6' Mobile Double-Decker Hot Packaged Food Merchandiser | 6'-0" L x 36" D x 62" H | 120/208 | 37.3 | 48 |

Unit comes with NEMA cord & plug #14-50P



HOT

Atlantic Food Bars

Hot Food Merchandising
Equipment Specialists

888-MEAL-SOLUTIONS (888-632-5765)
www.atlanticfoodbars.com