

4' Self-Service Refrigerated Multi-Deck Case – TALL Profile

IP# MDR4835-ALS-CE-D-LC-LED-SC-UO

48" L x 36" D x 76" H

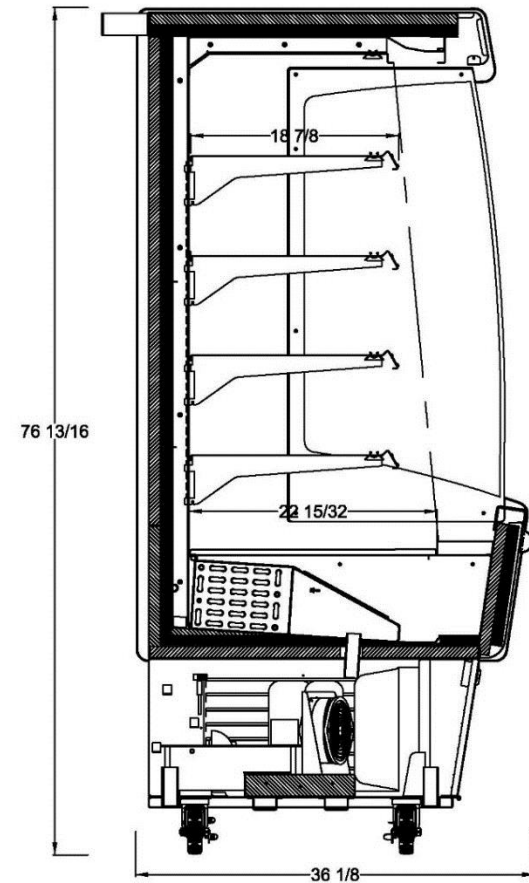


Scroll down for more views

Details per sign off on page 1 and specifications on last page

Approval signature: _____

Date: _____



Cross Section

**Celebrating 70
Years in 2017!**



PREPARED
↓
Atlantic Food Bars
Hot & Cold Food
Merchandising Equipment
Specialists

888-MEAL-SOLUTIONS
(888-632-5765)
www.atlanticfoodbars.com

4' Self-Service Refrigerated Multi-Deck Case – TALL Profile

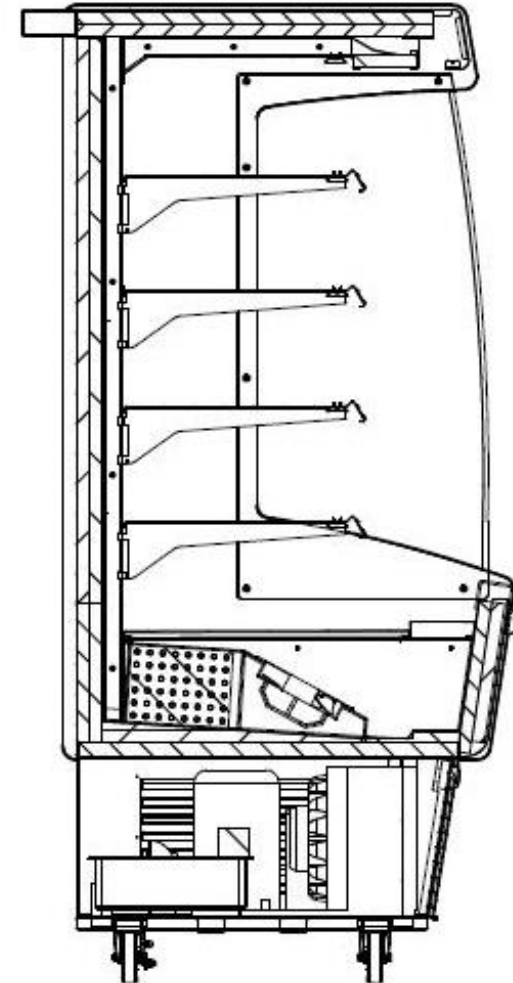
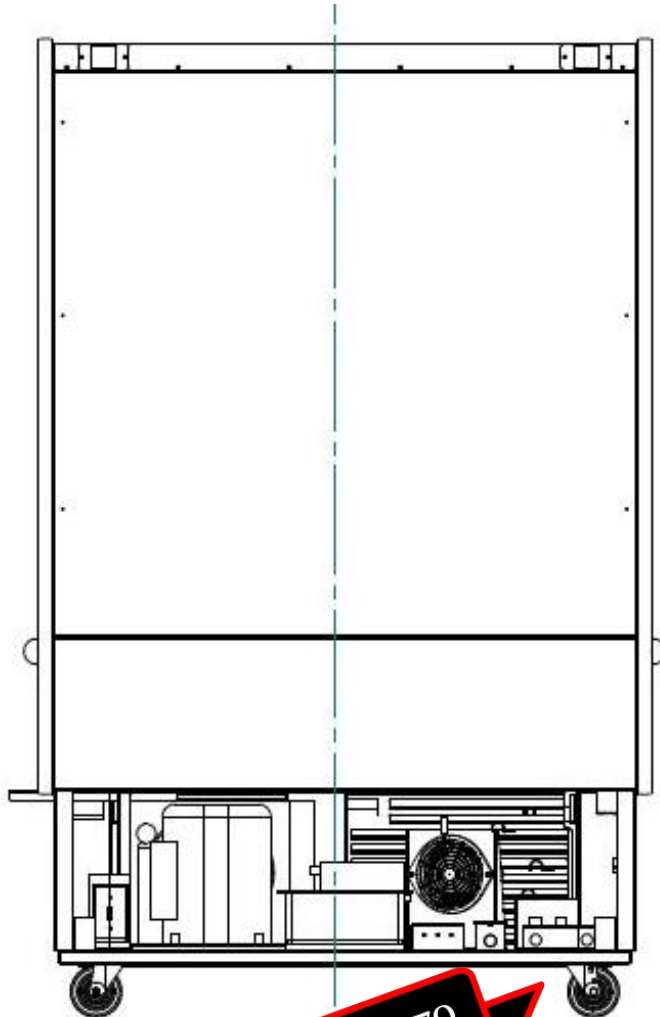
IP# MDR4835-ALS-CE-D-LC-LED-SC-UO

48" L x 36" D x 76" H

Details per sign off on page 1 and specifications on last page

Approval signature: _____

Date: _____



Scroll down for more views

Celebrating 70
Years in 2017!



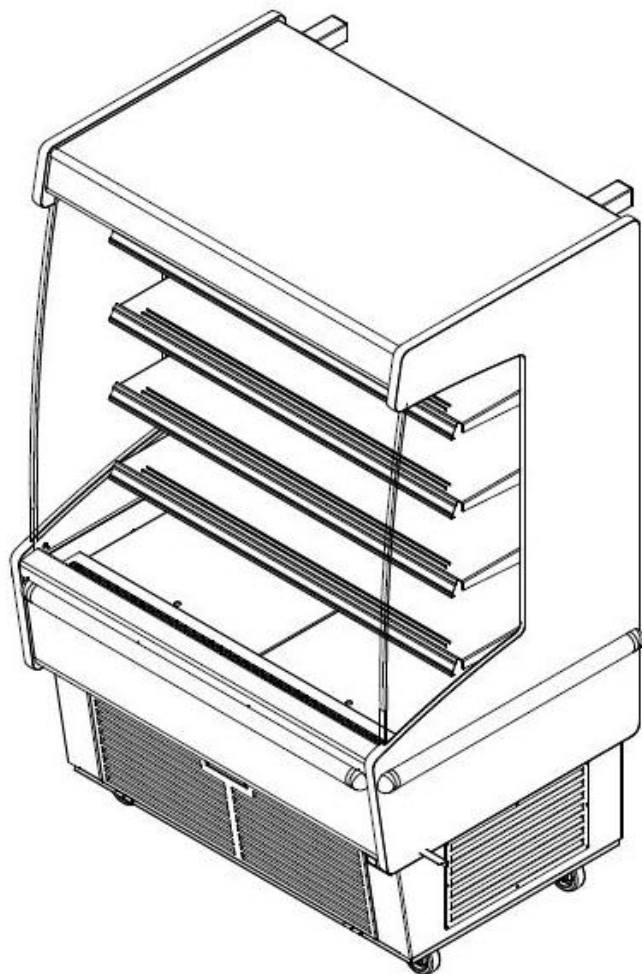
PREPARED
↓
Atlantic Food Bars
Hot & Cold Food
Merchandising Equipment
Specialists

888-MEAL-SOLUTIONS
(888-632-5765)
www.atlanticfoodbars.com

4' Self-Service Refrigerated Multi-Deck Case – TALL Profile

IP# MDR4835-ALS-CE-D-LC-LED-SC-UO

48" L x 36" D x 76" H



Approval – Complete All Sections

Colors:

Body: Stainless Steel
Bumper: Black

Refrigeration: Self Contained

Electric:

Voltage 120V
Phase: Single
Source: Floor

Delivery

Site: Loading Dock Ground Level

Delivery hours: _____

Depth of case is 36" which will fit through narrowest space between delivery point and install location. Yes No If no – CALL US ASAP

Approval signature: _____

Date: _____

See last page for specifications table – your signature above verifies the installation site has the required power as shown

IP CODE	DIMENSIONS L" X W" X H"	CAPACITY LEVELS	ELECTRICAL			
			VOLTAGE	SELF-CONTAINED		MCA
				AMPS	PLUG	
MDR4835-ALS-CE-D-LC-LED-SC-UO	48 x 36.125 x 76.813	5	120	23.75	5-30	30.0

Celebrating 70 Years in 2017!

PREPARED



Atlantic Food Bars
Hot & Cold Food
Merchandising Equipment
Specialists

888-MEAL-SOLUTIONS (888-632-5765)
www.atlanticfoodbars.com