

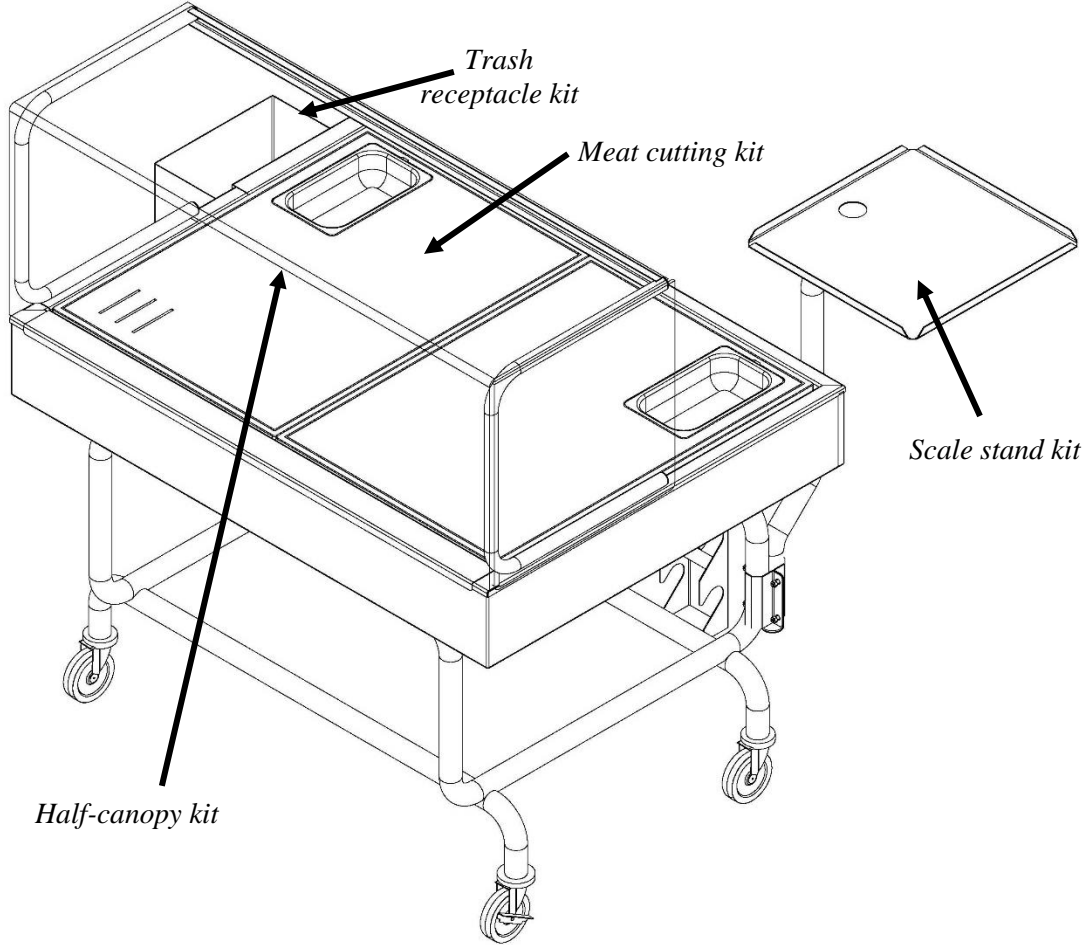
# 48" Modular Mobile Ice Table

With Half Canopy, Meat Cutting, Scale Stand and Trash Receptacle Kits

IP #MIT4836M-HCKT4-MCKT4-SS-TM-TRKT4

62 1/4" L x 53 5/8" D x 52 1/2" H

MASTER APPROVAL  
DRAWINGS



## Approval – Complete All Sections

### Colors:

Body: Stainless Steel  
Bumper: n/a

### Delivery

Site: Loading Dock \_\_\_ Ground Level \_\_\_

Delivery hours: \_\_\_\_\_

Case along with modular clam bar with dry shelf kit will ship in dedicated, reusable transport case which is 67"L x 55"W

Approval signature: \_\_\_\_\_

Date: \_\_\_\_\_

See last page for specifications table – your signature above verifies the installation site has the required power as shown



SEA  
Atlantic Food Bars  
Seafood Merchandising  
Equipment Specialists

888-MEAL-SOLUTIONS  
(888-632-5765)  
[www.atlanticfoodbars.com](http://www.atlanticfoodbars.com)

# 48" Modular Mobile Ice Table

With Half Canopy, Meat Cutting, Scale Stand  
and Trash Receptacle Kits

IP #MIT4836M-HCKT4-MCKT4-SS-TM-TRKT4

62 1/4" L x 53 5/8" D x 52 1/2" H

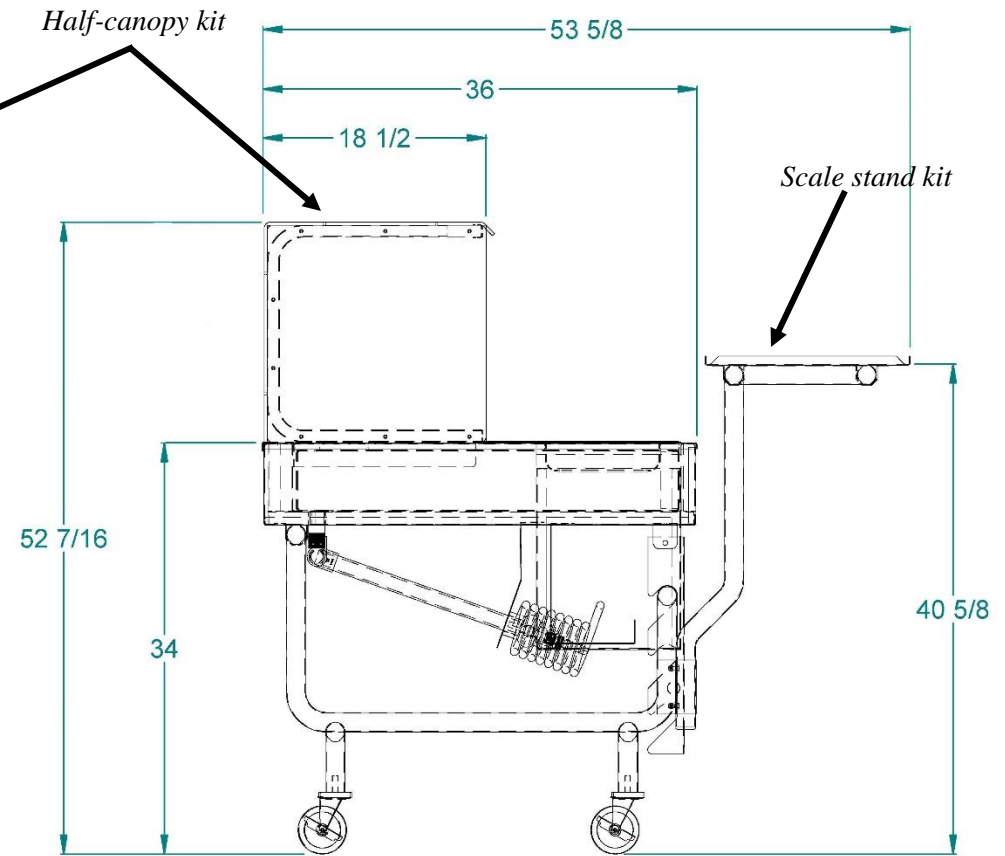
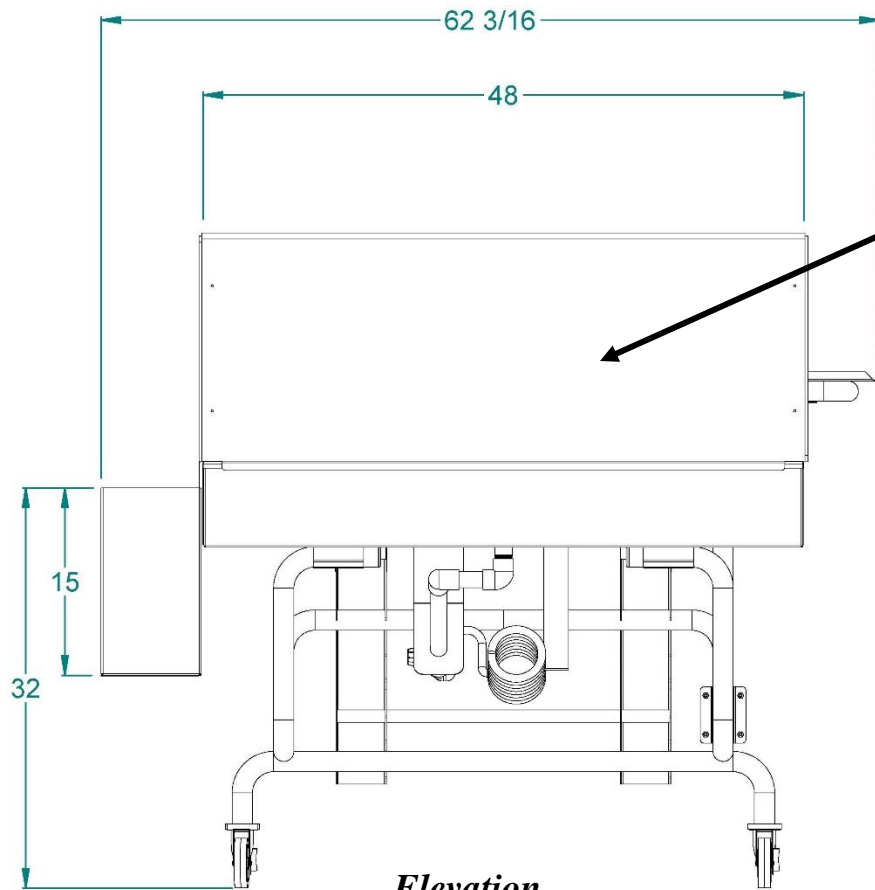


Details per sign off on page 1

Approval signature: \_\_\_\_\_

Date: \_\_\_\_\_

MASTER APPROVAL  
DRAWINGS



**Atlantic Food Bars**  
Seafood Merchandising  
Equipment Specialists

888-MEAL-SOLUTIONS  
(888-632-5765)  
[www.atlanticfoodbars.com](http://www.atlanticfoodbars.com)

# 48" Modular Mobile Ice Table

With Half Canopy, Meat Cutting, Scale Stand  
and Trash Receptacle Kits

IP #MIT4836M-HCKT4-MCKT4-SS-TM-TRKT4  
62 1/4" L x 53 5/8" D x 52 1/2" H

MASTER APPROVAL  
DRAWINGS

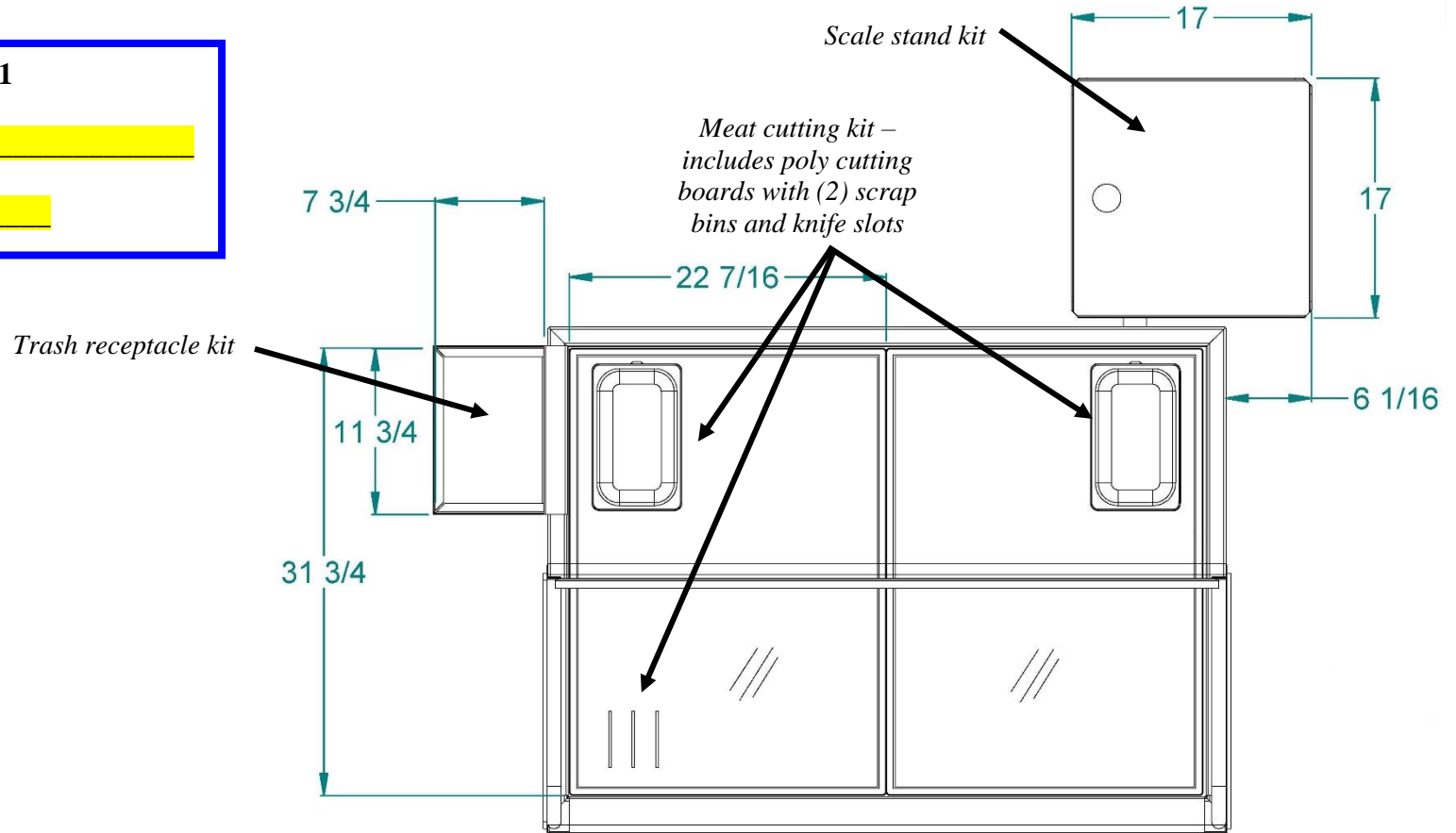
TRANSFORMER MERCHANDISER™

Patent Pending

Details per sign off on page 1

Approval signature: \_\_\_\_\_

Date: \_\_\_\_\_



Plan View

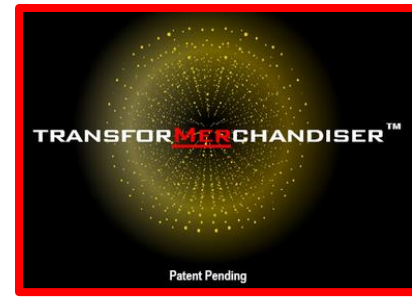


SEA  
**Atlantic Food Bars**  
Seafood Merchandising  
Equipment Specialists

888-MEAL-SOLUTIONS  
(888-632-5765)  
[www.atlanticfoodbars.com](http://www.atlanticfoodbars.com)

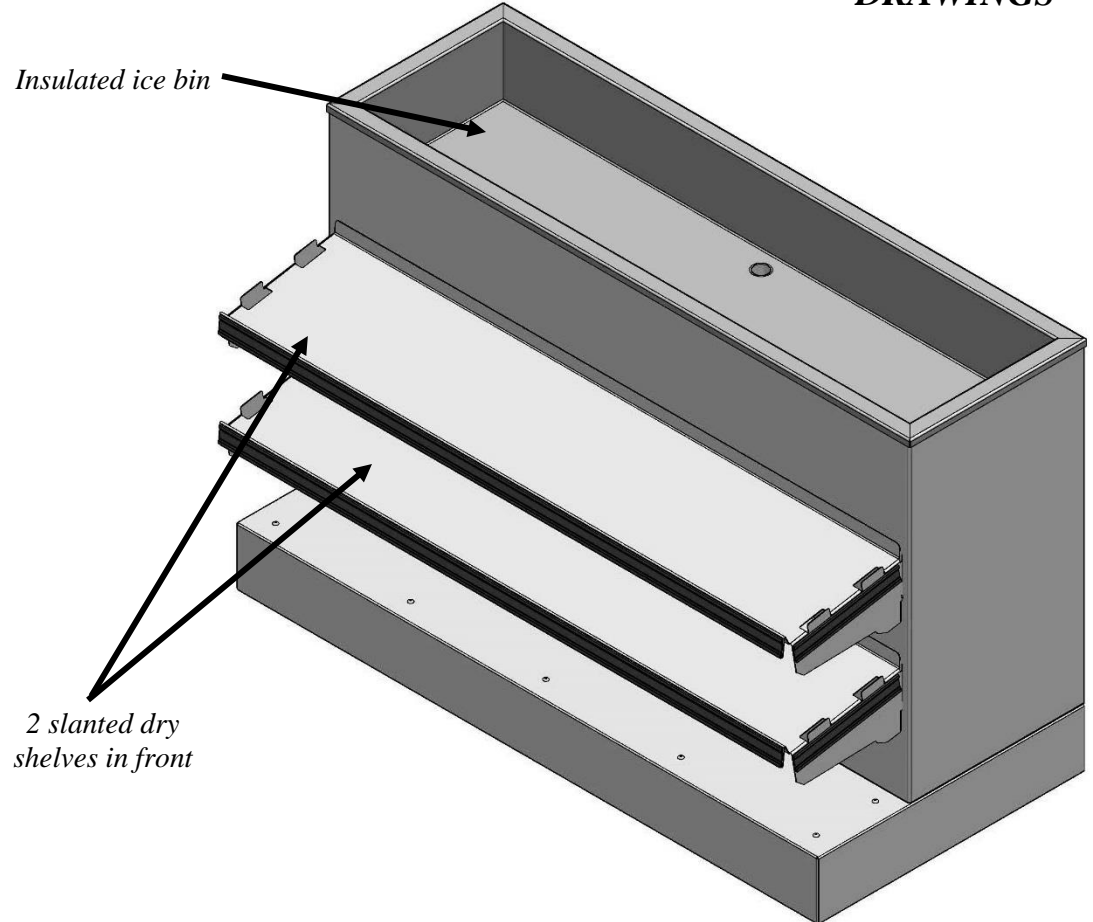
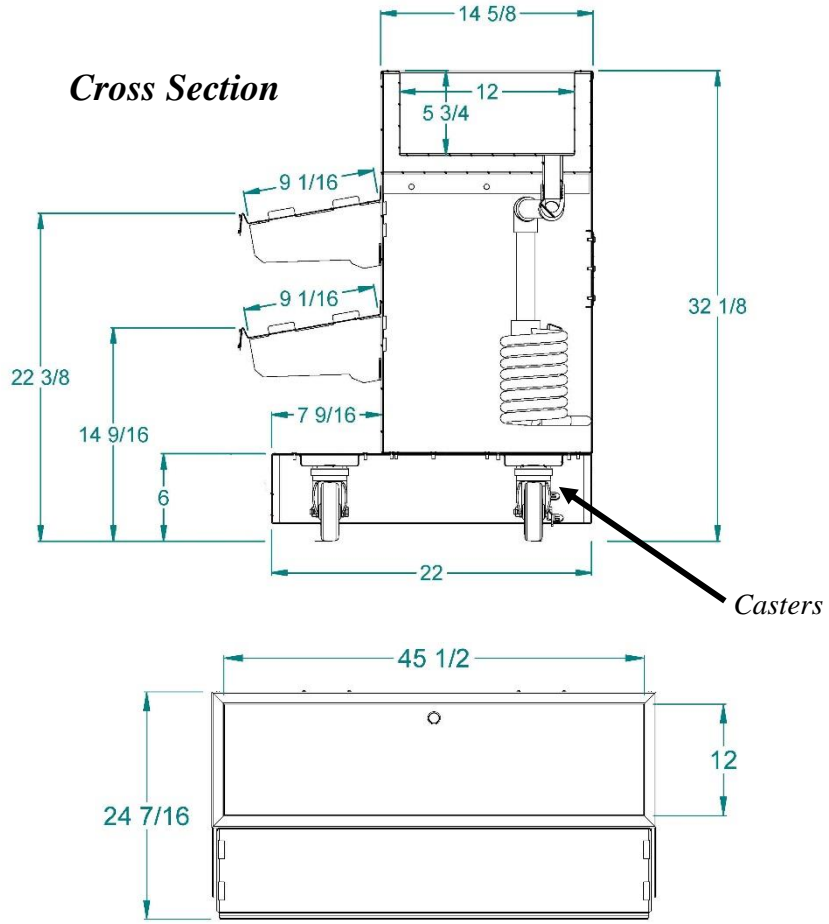
# 48" Modular Clam Bar with Dry Shelves Kit

IP #MCB48  
48" L x 24 1/2" D x 32" H



Details per sign off on page 1  
Approval signature: \_\_\_\_\_  
Date: \_\_\_\_\_

MASTER APPROVAL DRAWINGS



Celebrating 70 Years in 2017!



SEA  
**Atlantic Food Bars**  
Seafood Merchandising  
Equipment Specialists

888-MEAL-SOLUTIONS  
(888-632-5765)  
[www.atlanticfoodbars.com](http://www.atlanticfoodbars.com)