

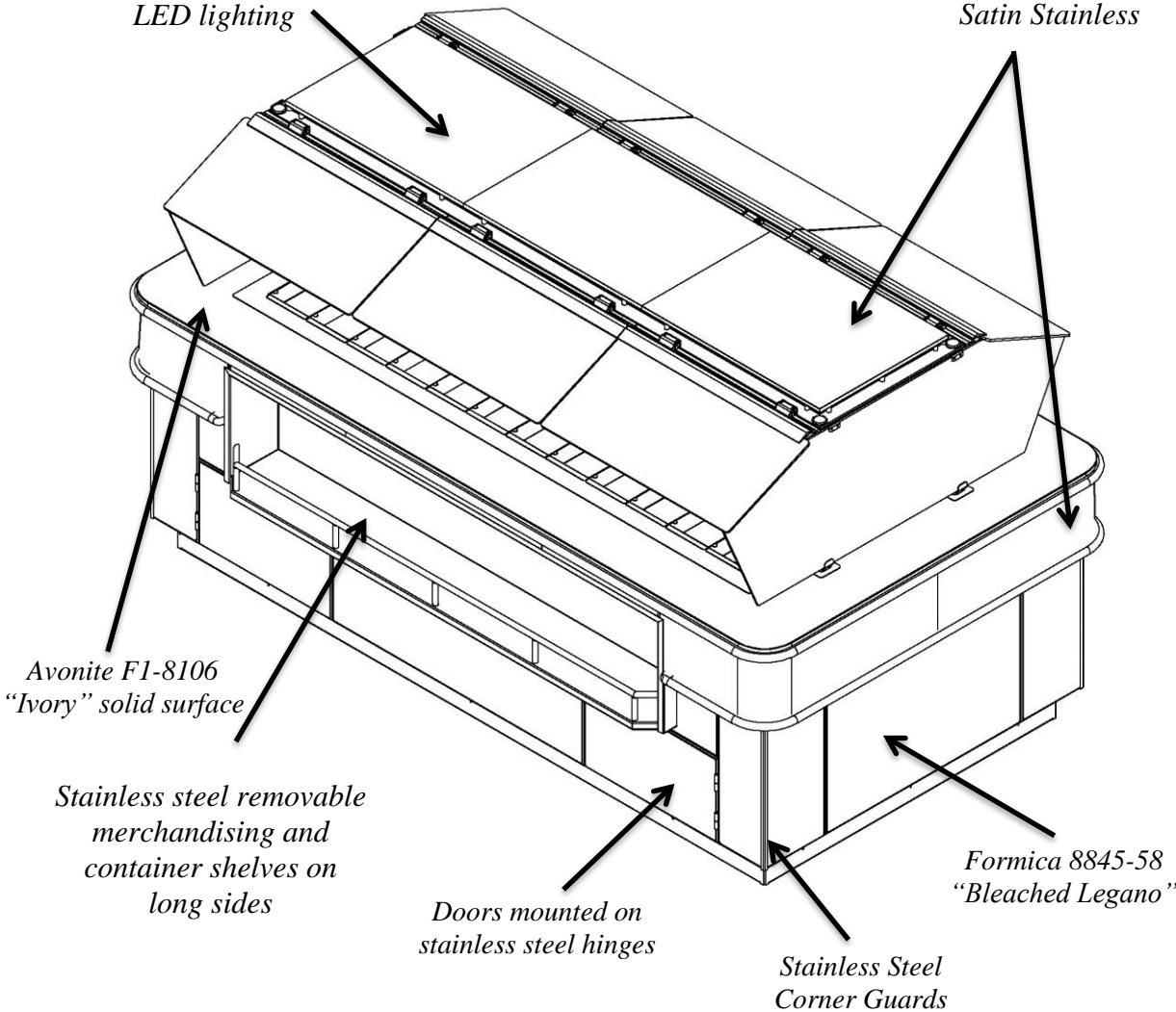
# 8' Island Olive Bar

IP #CISB7352-DC-LB-MS-SSC-VH

98" L x 55 3/4" D x 54" H

Shown with "No Visible Means  
of Support" sneezeguard with  
LED lighting

Wilsonart #4830  
Satin Stainless



Avonite F1-8106  
"Ivory" solid surface

Stainless steel removable  
merchandising and  
container shelves on  
long sides

Doors mounted on  
stainless steel hinges

Stainless Steel  
Corner Guards

Formica 8845-58  
"Bleached Legano"

## Approval – Complete All Sections

### Colors:

Canopy and Drop Edge Laminate: Wilson Art  
#4830-07 Satin Stainless

Base Laminate: Formica #8845-58 Bleached  
Legno – woodgrain to run vertically

Bumper: Cool Gray

Countertop: Avonite Ivory #F1-8106

### Refrigeration:

Remote  Refrigerant: \_\_\_\_\_

### Electric:

Voltage: 120V

Phase: Single

Source: Floor

### Delivery

Site: Loading Dock  Ground Level

Delivery hours: \_\_\_\_\_

Depth of case is 60 5/8" which will fit through  
narrowest space between delivery point and install  
location. Yes  No  If no – CALL US ASAP

Approval signature: \_\_\_\_\_

Date: \_\_\_\_\_

See last page for specifications table – your  
signature above verifies the installation site has the  
required power as shown

Scroll down for more views



**Atlantic Food Bars**  
Olive Merchandising  
Equipment Specialists

888-MEAL-SOLUTIONS (888-632-5765)  
www.atlanticfoodbars.com

# 8' Island Olive Bar

IP #CISB7352-DC-LB-MS-SSC-VH

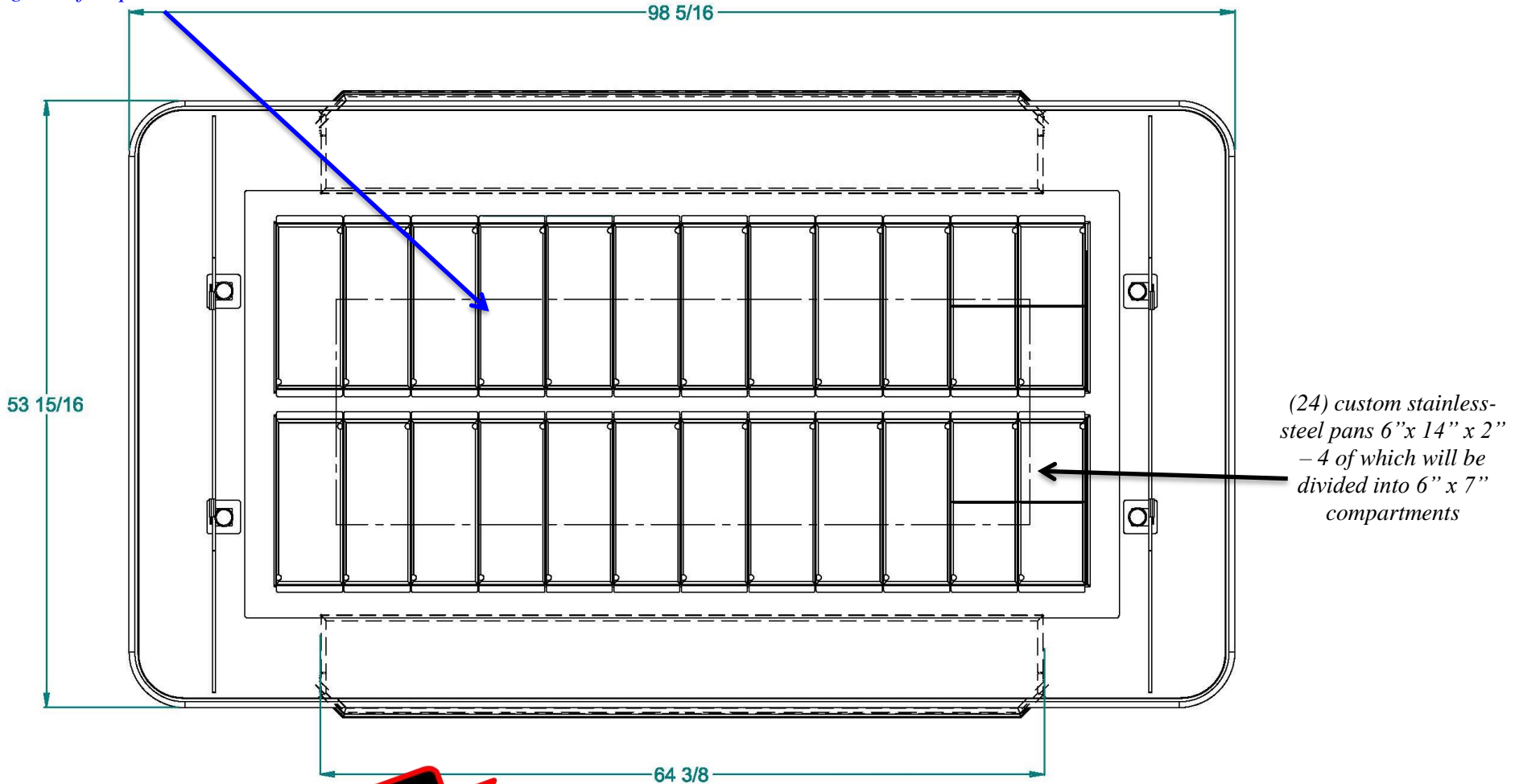
98" L x 55 3/4" D x 54" H

Details per sign off on page 1 and specifications on last page

Approval signature: \_\_\_\_\_

Date: \_\_\_\_\_

24 each 6" x 14" refrigerated pan openings and flat pan rail



Plan View

*Scroll down for more views*



**Atlantic** *OLIVE* Food Bars  
**Olive Merchandising  
Equipment Specialists**

888-MEAL-SOLUTIONS  
(888-632-5765)  
[www.atlanticfoodbars.com](http://www.atlanticfoodbars.com)

# 8' Island Olive Bar

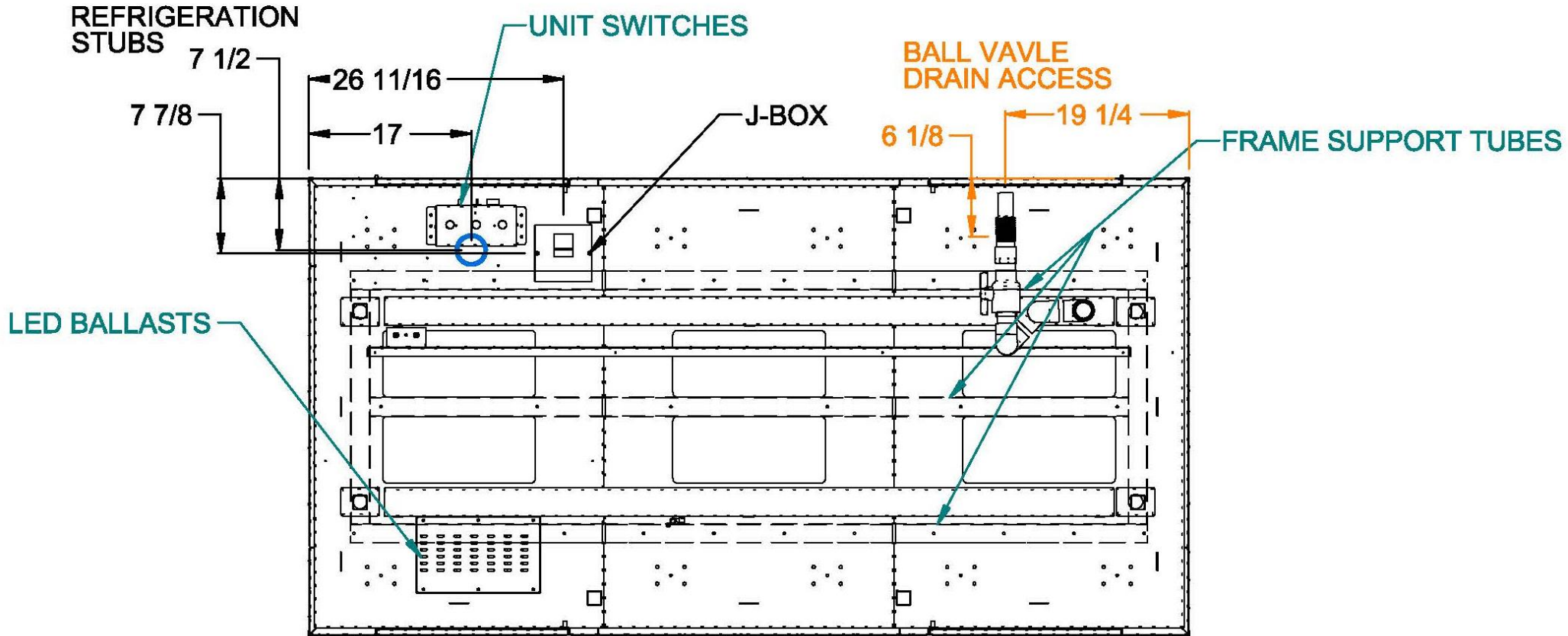
IP #CISB7352-DC-LB-MS-SSC-VH

98" L x 55 3/4" D x 54" H

Details per sign off on page 1 and specifications on last page

Approval signature: \_\_\_\_\_

Date: \_\_\_\_\_



Plan View

*Scroll down for more views*



**Atlantic** **OLIVE** Food Bars  
**Olive Merchandising**  
**Equipment Specialists**

888-MEAL-SOLUTIONS  
(888-632-5765)  
[www.atlanticfoodbars.com](http://www.atlanticfoodbars.com)

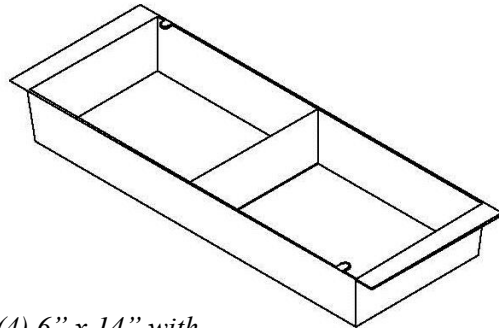
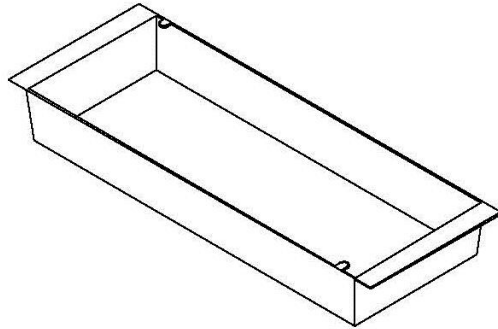
# 8' Island Olive Bar

IP #CISB7352-DC-LB-MS-SSC-VH

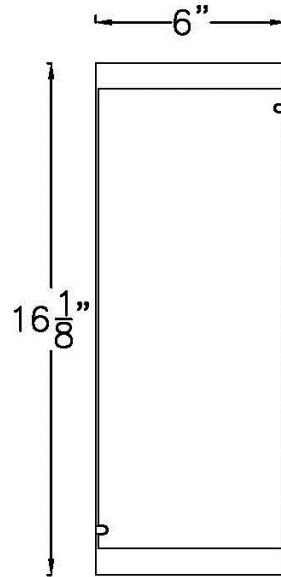
98" L x 55 3/4" D x 54" H

**Custom Pans**  
**Quantity: 24**

(20) 6" x 14"



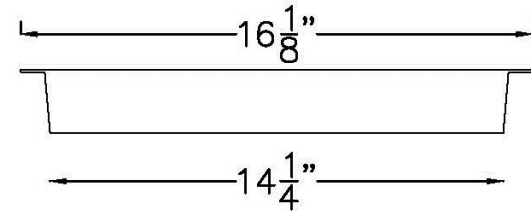
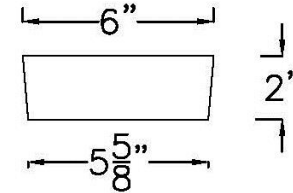
(4) 6" x 14" with  
center divider



Details per sign off on page 1 and specifications on last page

Approval signature: \_\_\_\_\_

Date: \_\_\_\_\_



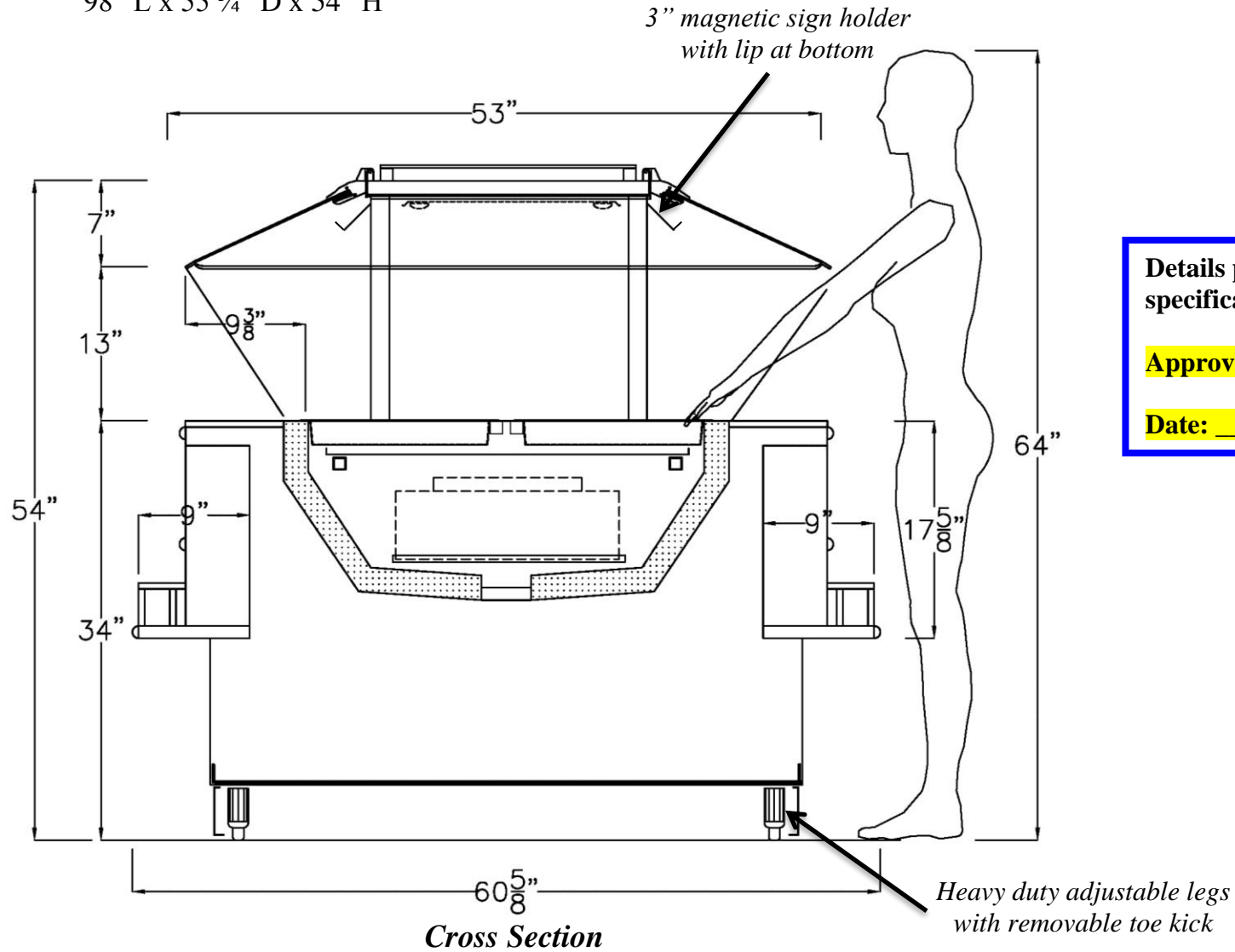
**Atlantic <sup>OLIVE</sup> Bars**  
**Olive Merchandising**  
**Equipment Specialists**

888-MEAL-SOLUTIONS  
(888-632-5765)  
[www.atlanticfoodbars.com](http://www.atlanticfoodbars.com)

# 8' Island Olive Bar

IP #CISB7352-DC-LB-MS-SSC-VH

98" L x 55 3/4" D x 54" H



Details per sign off on page 1 and specifications on this page

Approval signature: \_\_\_\_\_

Date: \_\_\_\_\_

IP CODE	DIMENSIONS L" X W" X H"	CAPACITY	REFRIGERATION	ELECTRICAL		
		COLD 6 x 14	BTUH @ +26°F EVAP	VOLTAGE	REMOTE AMPS	MCA
CISB7352-DC-LB-MS-SSC-VH	98.25 x 55.75 x 54	24	4,300	120	4.3	5.3




**Atlantic <sup>OLIVE</sup> Food Bars**  
Olive Merchandising  
Equipment Specialists

888-MEAL-SOLUTIONS (888-632-5765)  
www.atlanticfoodbars.com