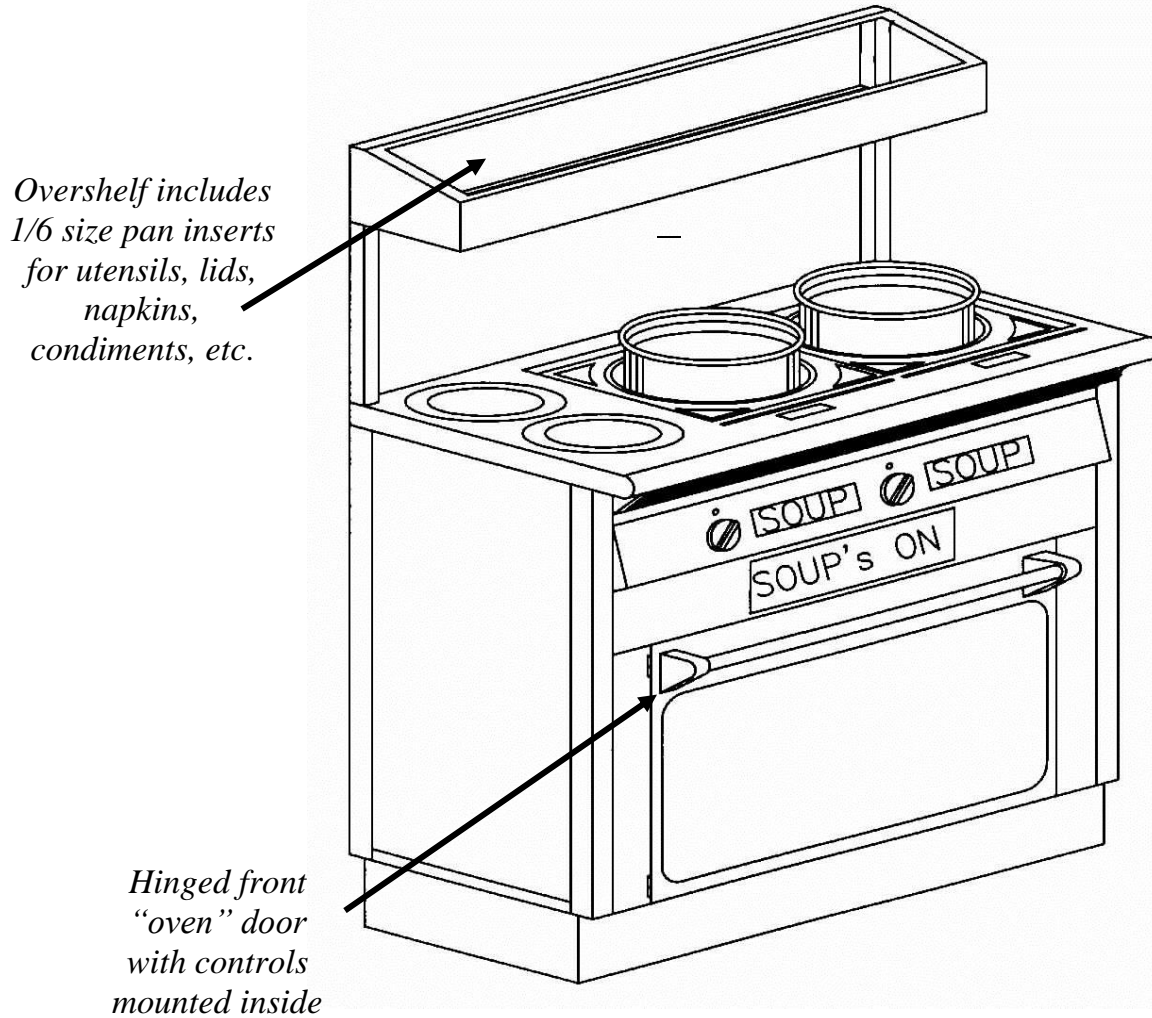


Soup's On™

Narrow Model Will Spur Soup Sales in Any Location

IP #SOG3618N
36" L x 18" D x 51" H
(34" counter height)

**SCROLL DOWN –
PAGE 2 SHOWS
ADDITIONAL VIEWS**



Approval – Complete All Sections

Colors:

Body: Stainless Steel X
Countertop: Stainless Steel X

Electric :

Voltage 208V X
Phase : Single X
Source : Floor X

Delivery

Site: Loading Dock Ground Level

Delivery hours :

Depth of case is 18" which will fit through
narrowest space between delivery point and install
location Yes No If no – CALL US ASAP

Approval signature:

Date:

*See last page for specifications table – your
signature above verifies the installation site has the
required power as shown*



Atlantic Food Bars

Your **HOT & COLD** Food Equipment Specialist !

888-MEAL-SOLUTIONS (888-632-5765)

www.atlanticfoodbars.com

Soup's On™

**Narrow Model Will Spur Soup
Sales in Any Location**

IP #SOG3618N
36" L x 18" D x 51" H
(34" counter height)

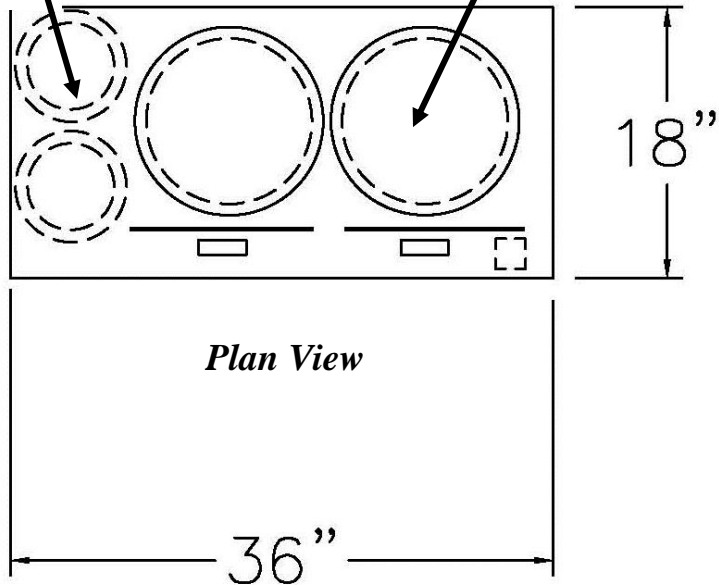
**Details per sign off on page 1 and
specifications on last page**

Approval signature: _____

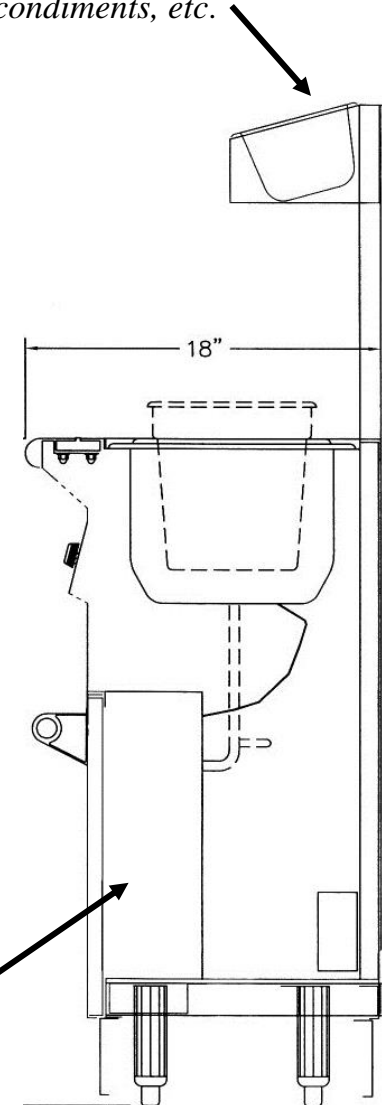
Date: _____

2 built-in cup
dispensers

2 ea. 11 Qt.
warming wells



Overshelf includes 1/6
size pan inserts for
utensils, lids, napkins,
condiments, etc.



Cross Section

Internal Part #	Custom Description	Dimensions	Voltage	Amps 1 Ph	11-qt Soup Well Capacity
SOG3618N	Narrow Model Soup Merchandiser	36" L x 18" D x 51" H	208	6.0	2



Atlantic Food Bars
Your **HOT & COLD** Food Equipment Specialist!
888-MEAL-SOLUTIONS (888-632-5765)
www.atlanticfoodbars.com