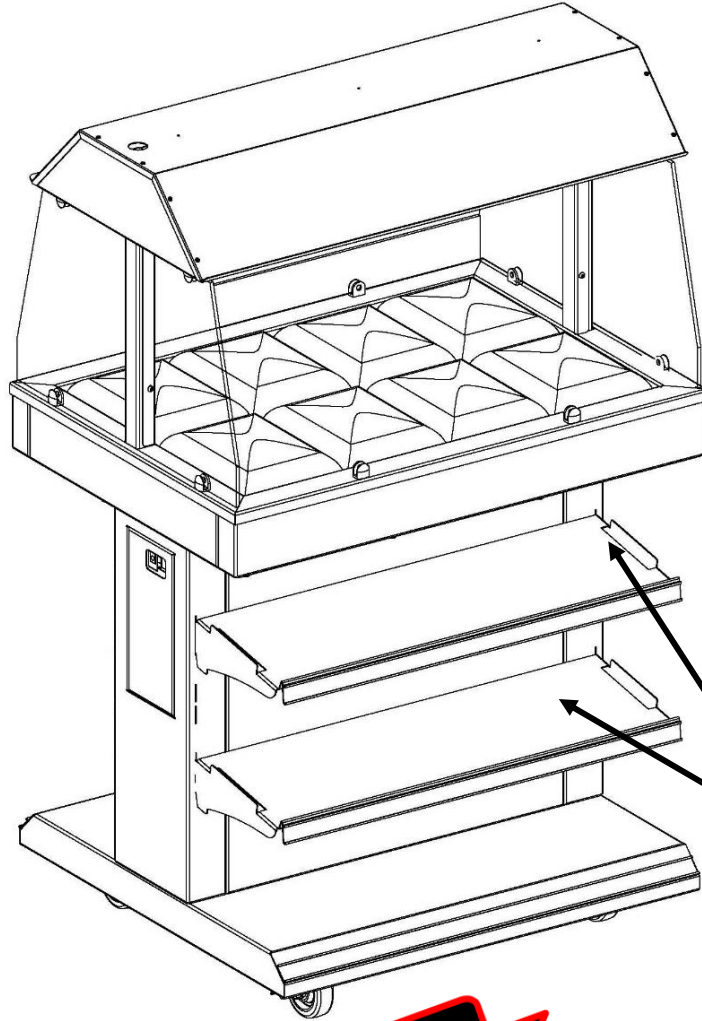


# Mobile Rotisserie Chicken & Hot Packaged Food Merchandiser

IP #HH3625-AMS-NG-SWD-UO  
36" L x 30-1/8" D x 56-5/8" H

## MASTER Approval Drawings



*Shown with optional adjustable  
stainless steel shelves (both  
shown on one side)*

### Approval – Complete All Sections

#### Colors:

Body: Stainless Steel  
Shelves: Stainless Steel

#### Electric:

Voltage: 120V  
Phase: Single

#### Delivery

Site: Loading Dock \_\_\_ Ground Level \_\_\_

Delivery hours: \_\_\_\_\_

Depth of case is 30-1/8" which will fit through  
narrowest space between delivery point and install  
location Yes \_\_\_ No \_\_\_ If no – CALL US ASAP

Approval signature: \_\_\_\_\_

Date: \_\_\_\_\_



**Atlantic Food Bars**  
Hot Food Merchandising  
Equipment Specialists

**HOT**

888-MEAL-SOLUTIONS  
(888-632-5765)  
[www.atlanticfoodbars.com](http://www.atlanticfoodbars.com)

# Mobile Rotisserie Chicken & Hot Packaged Food Merchandiser

## MASTER Approval Drawings

IP #HH3625-AMS-NG-SWD-UO

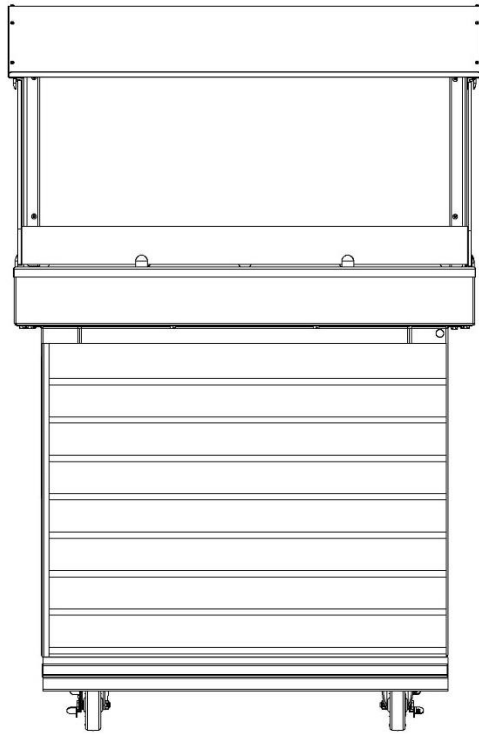
36" L x 30-1/8" D x 56-5/8" H

Details per sign off on page 1 and  
specifications below

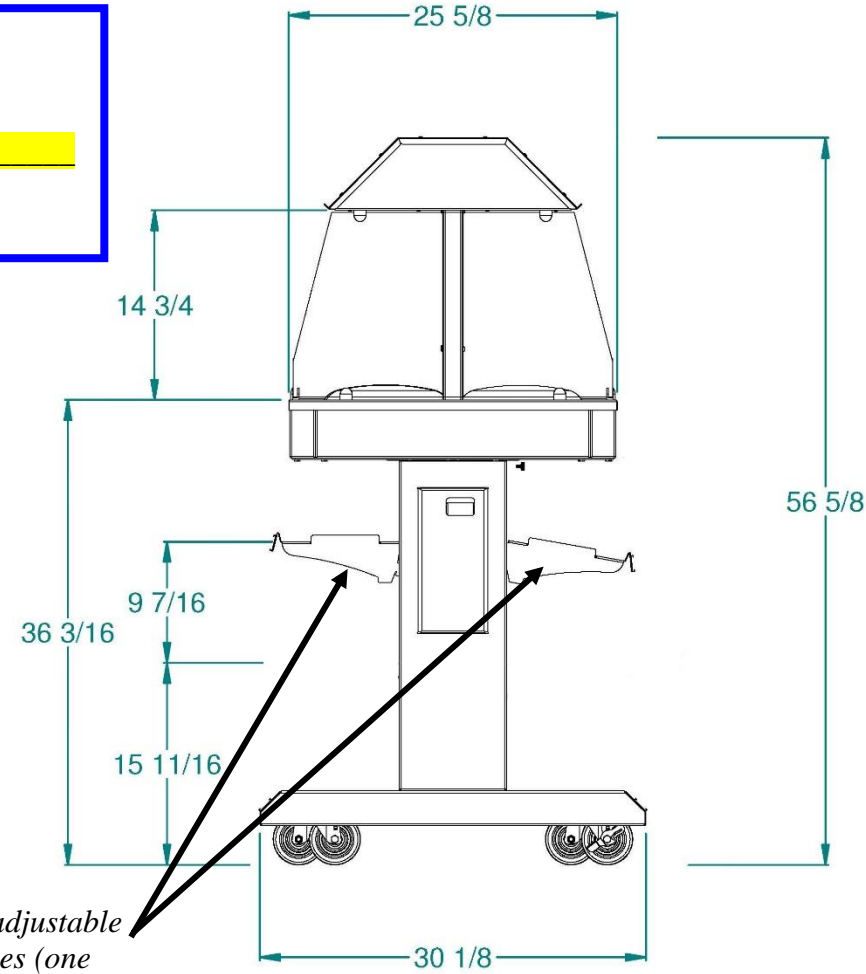
Approval signature: \_\_\_\_\_

Date: \_\_\_\_\_

*Shown with optional slatwall  
display in base*



**Elevation**



*Shown with optional adjustable  
stainless steel shelves (one  
each on both sides)*

**Cross Section**

Internal Part #	Custom Description	Dimensions	Voltage	Chicken Capacity	Voltage	Amps I Ph	MCA
HH3625-AMS-NG-SWD-UO	3' Mobile Rotisserie Chicken & Hot Packaged Food Merchandiser	3'-0" L x 30" D x 56-5/8" H	120	16	120	10.7	13.0
Comes with NEMA #5-20P and SJ cord 12-3 x 96" L							

**Celebrating 70  
Years in 2017!**



**Atlantic Food Bars**  
Hot Food Merchandising  
Equipment Specialists

888-MEAL-SOLUTIONS (888-632-5765)  
www.atlanticfoodbars.com