

6' End Cap Multi-Deck Olive Bar

IP #BILR7138

6'-1" L x 39" D x 65" H

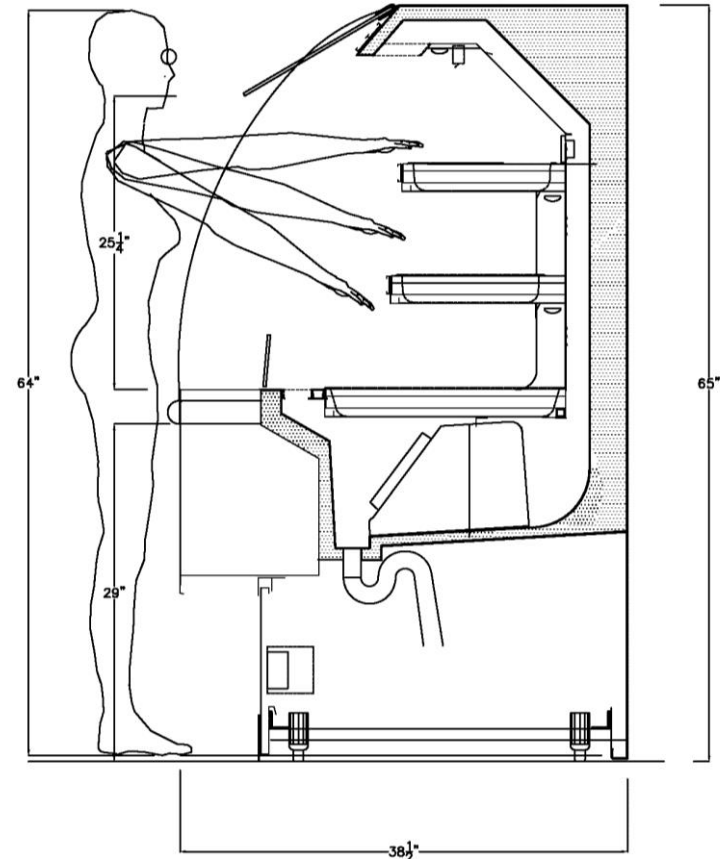
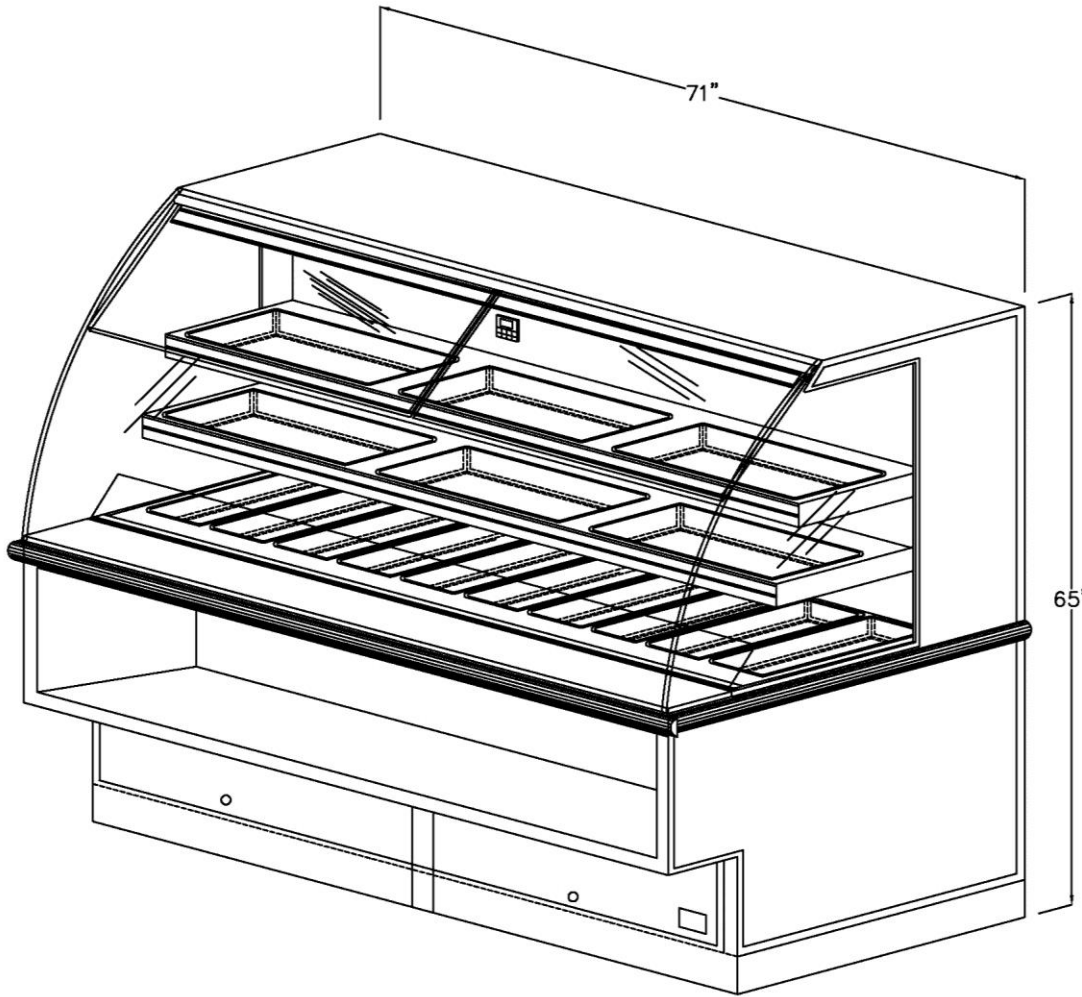
Colors:

Body: stainless steel

Bumper: black

Approved: _____

Date: _____



Cross Section

Internal Part #	Custom Description	Dimensions	Voltage	Remote Refrigeration	12" x 20" Pan Capacity	BTU
				Amps 1 Ph		
BILR7138	6' Refrigerated Three Tier End Cap Olive Bar	6'-1" L x 39" D x 65" H	120	5.9	11	6,000

25° suction temp Max overcurrent protection = 20 Amps. **1 ea 20-amp single phase circuit required.**



Atlantic Food Bars

Your **HOT & COLD** Food Equipment Specialist !

888-MEAL-SOLUTIONS (888-632-5765)

www.atlanticfoodbars.com