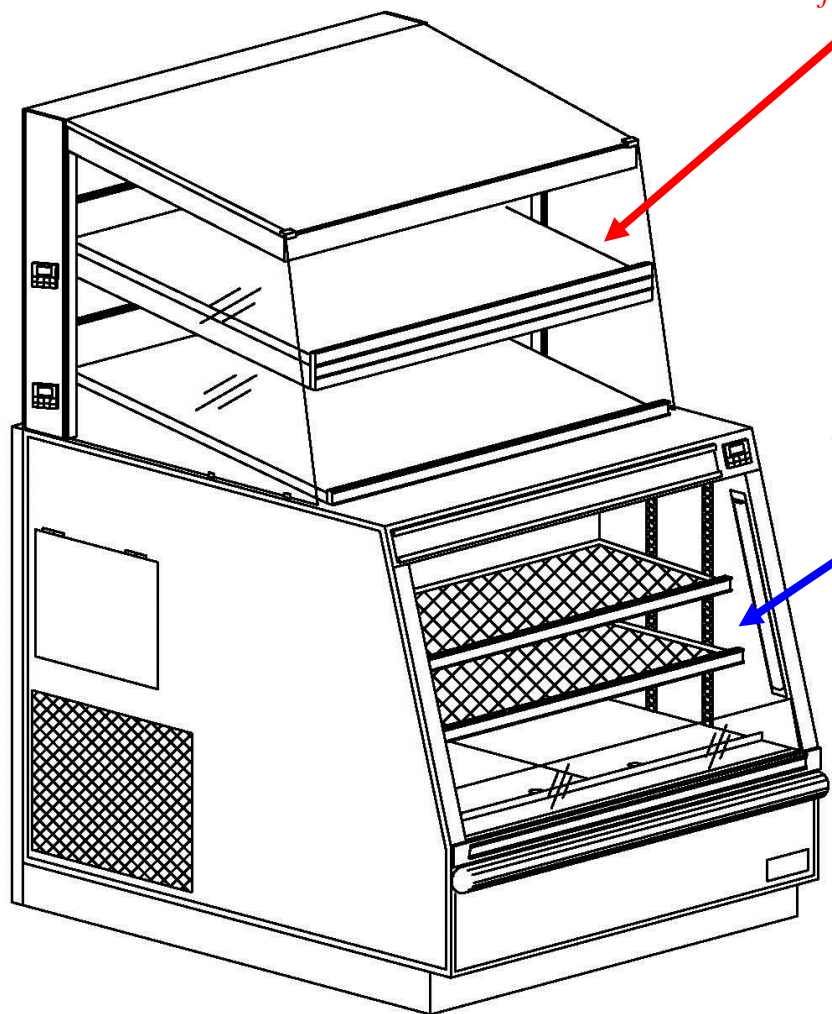


# 3' End Cap Mobile Hot & Cold Merchandiser

IP #HCWT3642  
3'-0" L x 43" D x 73" H



*Self-service hot  
food section*

*Self-service cold  
food section*

**SCROLL DOWN –  
PAGE 2 SHOWS  
ADDITIONAL VIEW**

**Self-contained  
refrigeration**

## Approval – Complete All Sections

### Colors:

Body: Stainless Steel \_\_\_  
Powder Coat \_\_\_ Color \_\_\_  
Laminate : \_\_\_ Mfr. \_\_\_  
Color \_\_\_ # \_\_\_  
If woodgrain laminate – direction of  
grain Vertical \_\_\_ Horizontal \_\_\_  
Bumper: \_\_\_\_\_

Refrigeration : Self Contained X

### Electric :

Voltage 120/208V X  
Phase : Single \_\_\_ Three \_\_\_  
Source : Ceiling \_\_\_ Floor \_\_\_

### Delivery

Site: Loading Dock \_\_\_ Ground Level \_\_\_  
Delivery hours : \_\_\_\_\_  
Depth of case is 43" which will fit through  
narrowest space between delivery point and install  
location Yes \_\_\_ No \_\_\_ If no – CALL US ASAP

Approval signature: \_\_\_\_\_

Date: \_\_\_\_\_

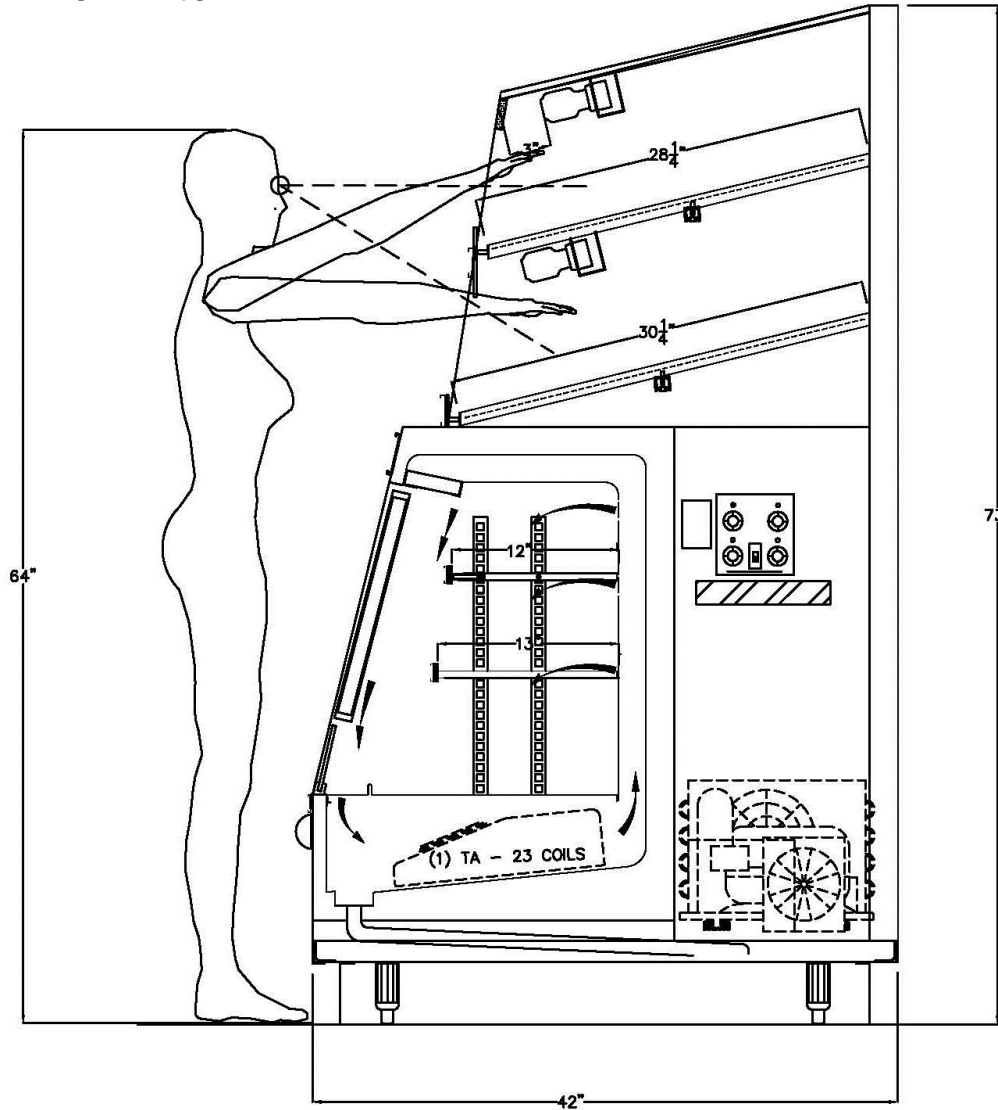
*See last page for specifications table – your  
signature above verifies the installation site has the  
required power as shown*



**Atlantic Food Bars**  
Your **HOT & COLD** Food Equipment Specialist !  
888-MEAL-SOLUTIONS (888-632-5765)  
[www.atlanticfoodbars.com](http://www.atlanticfoodbars.com)

# 3' End Cap Mobile Hot & Cold Merchandiser

IP #HCWT3642  
3'-0" L x 43" D x 73" H



Details per sign off on page 1 and specifications on last page

Approval signature: \_\_\_\_\_

Date: \_\_\_\_\_

*Cross Section*

Internal Part #	Custom Description	Dimensions	Voltage	Self-Contained Refrigeration	Chicken Dome Capacity
				Amps IPh	
HCWT3642	4' End Cap Mobile Hot & Cold Merchandiser	3'-0" L x 43" D x 73" H	120/208	22.4	23



**Atlantic Food Bars**  
Your **HOT & COLD** Food Equipment Specialist!  
888-MEAL-SOLUTIONS (888-632-5765)  
[www.atlanticfoodbars.com](http://www.atlanticfoodbars.com)