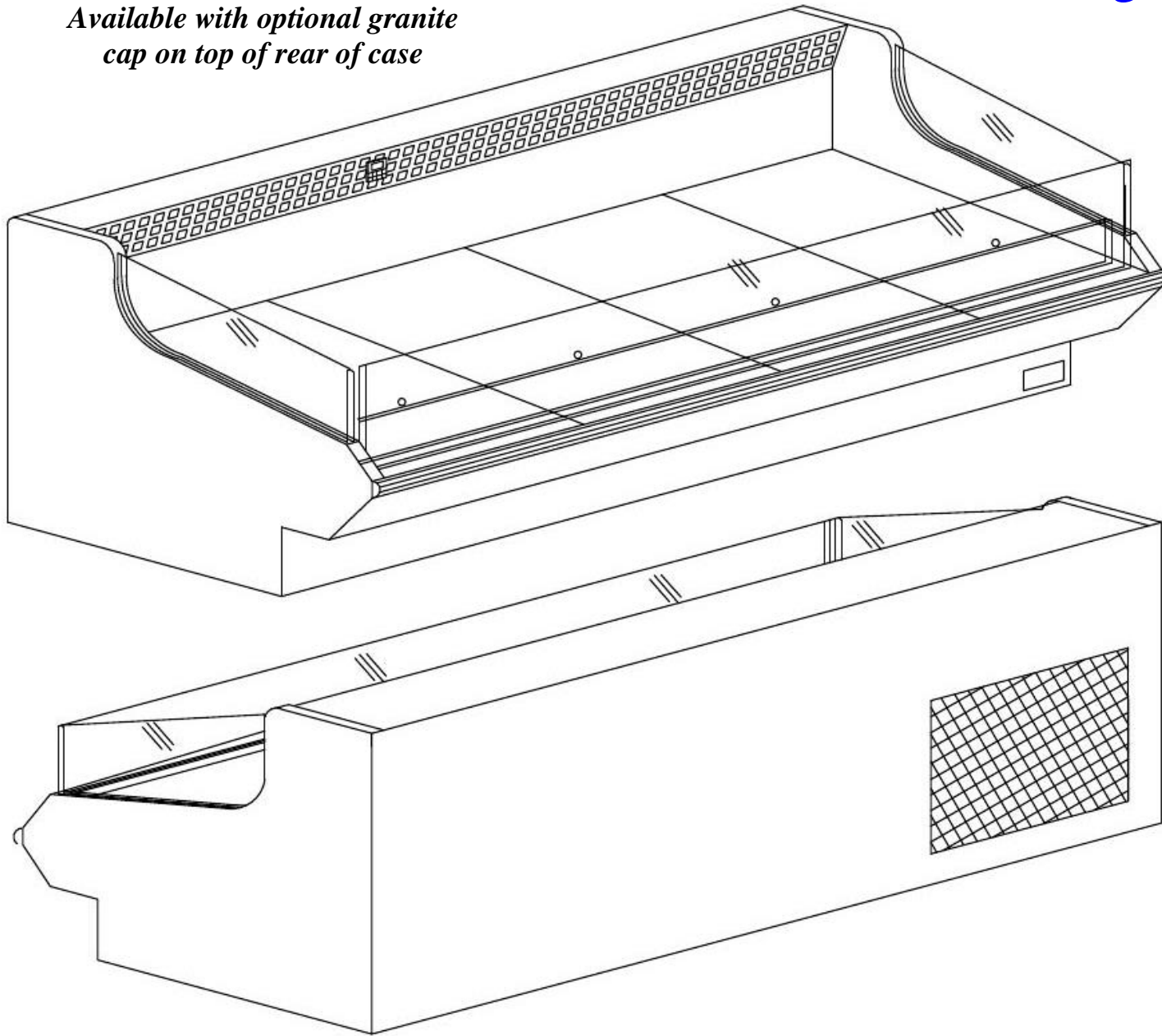


*Available with optional granite  
cap on top of rear of case*

## **8' Refrigerated Cheese Display Case**

96" L x 48"D x 36" H



**HOT & COLD**

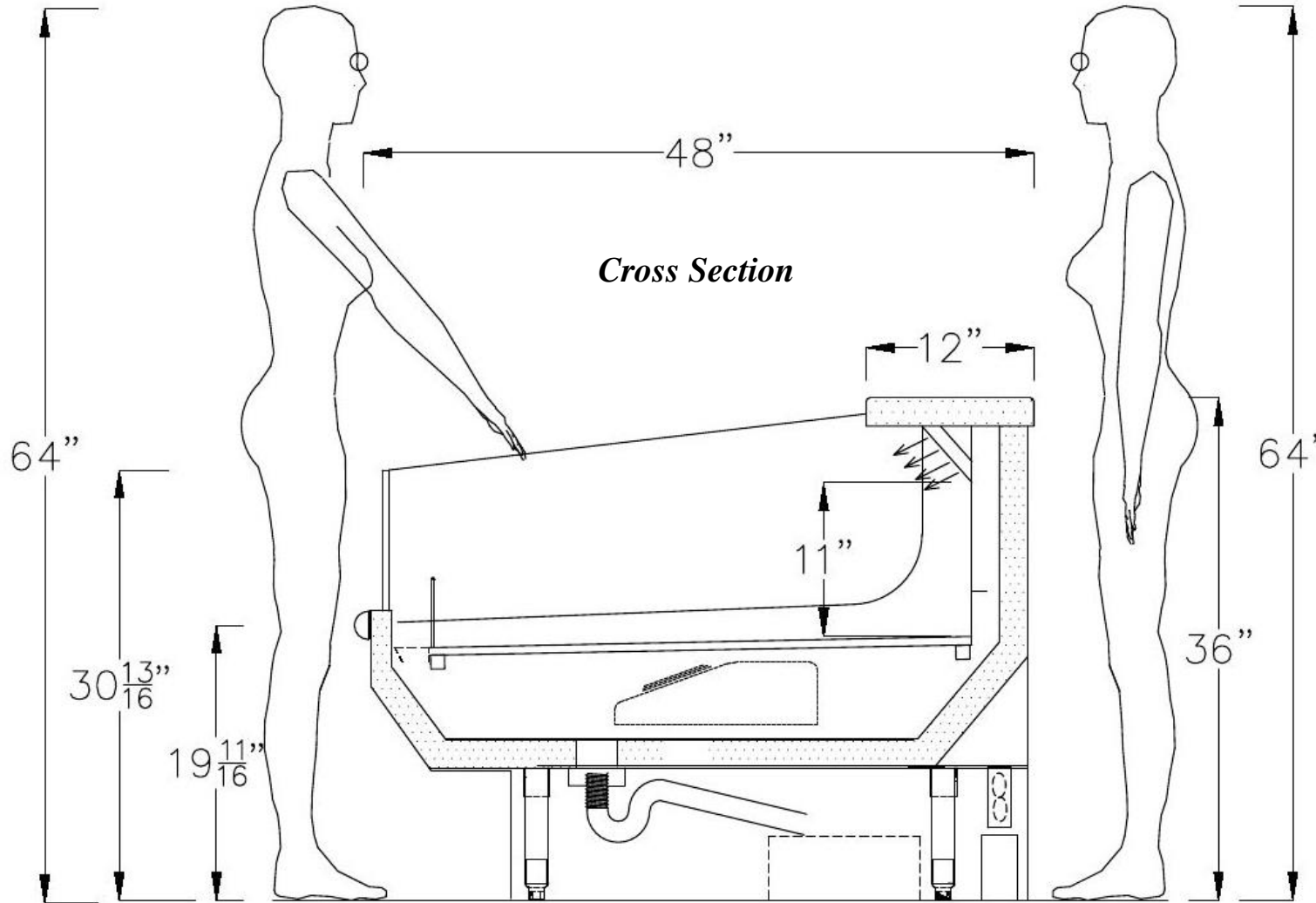


**Atlantic Food Bars**  
Hot & Cold Food  
Merchandising Equipment  
Specialists

888-MEAL-SOLUTIONS (888-632-5765)  
[www.atlanticfoodbars.com](http://www.atlanticfoodbars.com)

# 8' Refrigerated Cheese Display Case

96" L x 48" D x 36" H



Available with granite cap on top of rear of case

Description	Dimensions	Voltage	Amps 1 Ph	BTU
8' Refrigerated Cheese Case	8'-0" L x 48" D x 36" H	120	16.5	5,500

**HOT & COLD**



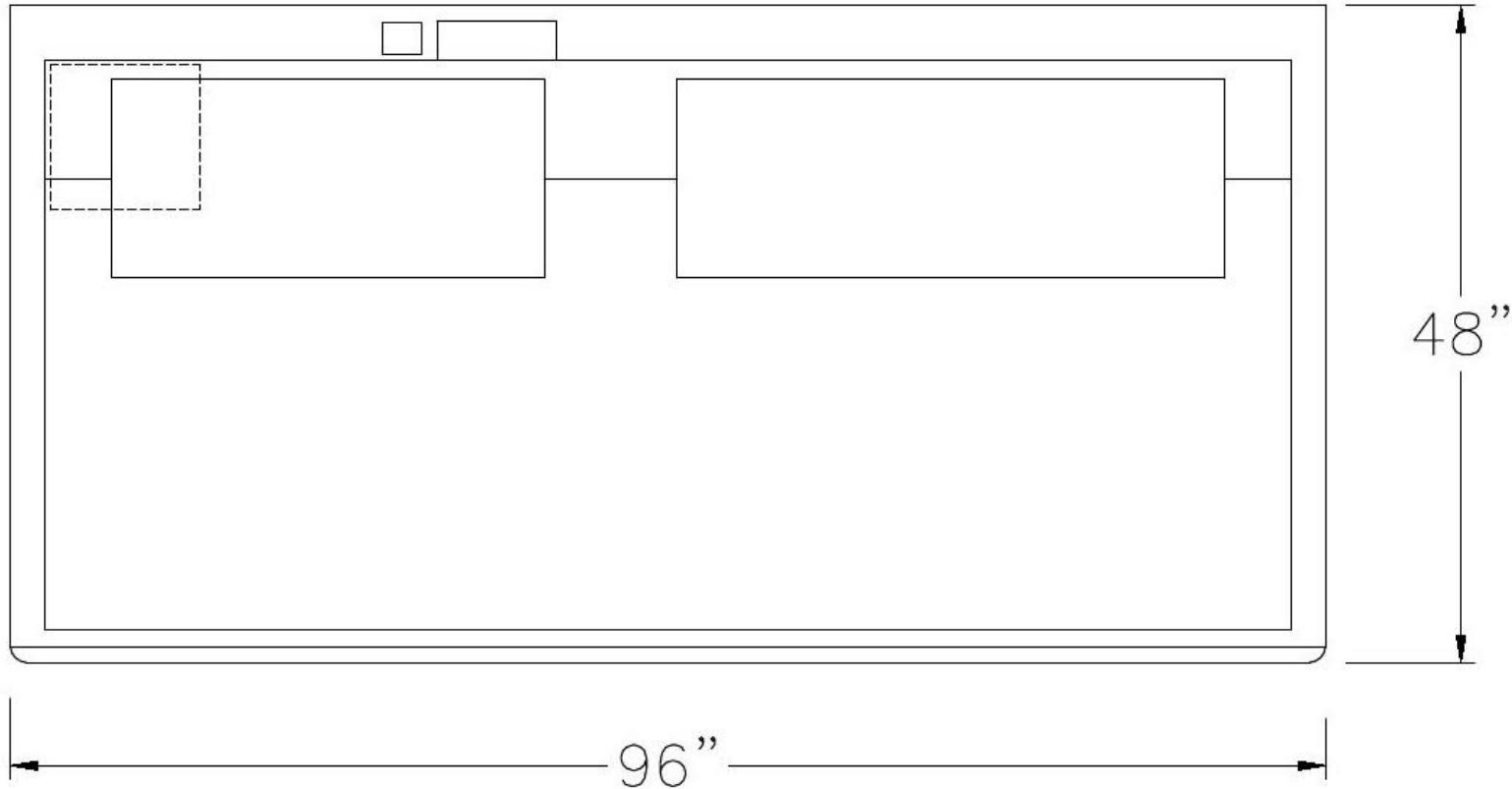
**Atlantic Food Bars**  
Hot & Cold Food  
Merchandising Equipment  
Specialists

888-MEAL-SOLUTIONS (888-632-5765)  
[www.atlanticfoodbars.com](http://www.atlanticfoodbars.com)

# 8' Refrigerated Cheese Display Case

96" L x 48"D x 36" H

*Plan View*



**HOT & COLD**  
**Atlantic Food Bars**  
**Hot & Cold Food**  
**Merchandising Equipment**  
**Specialists**

888-MEAL-SOLUTIONS  
(888-632-5765)  
[www.atlanticfoodbars.com](http://www.atlanticfoodbars.com)