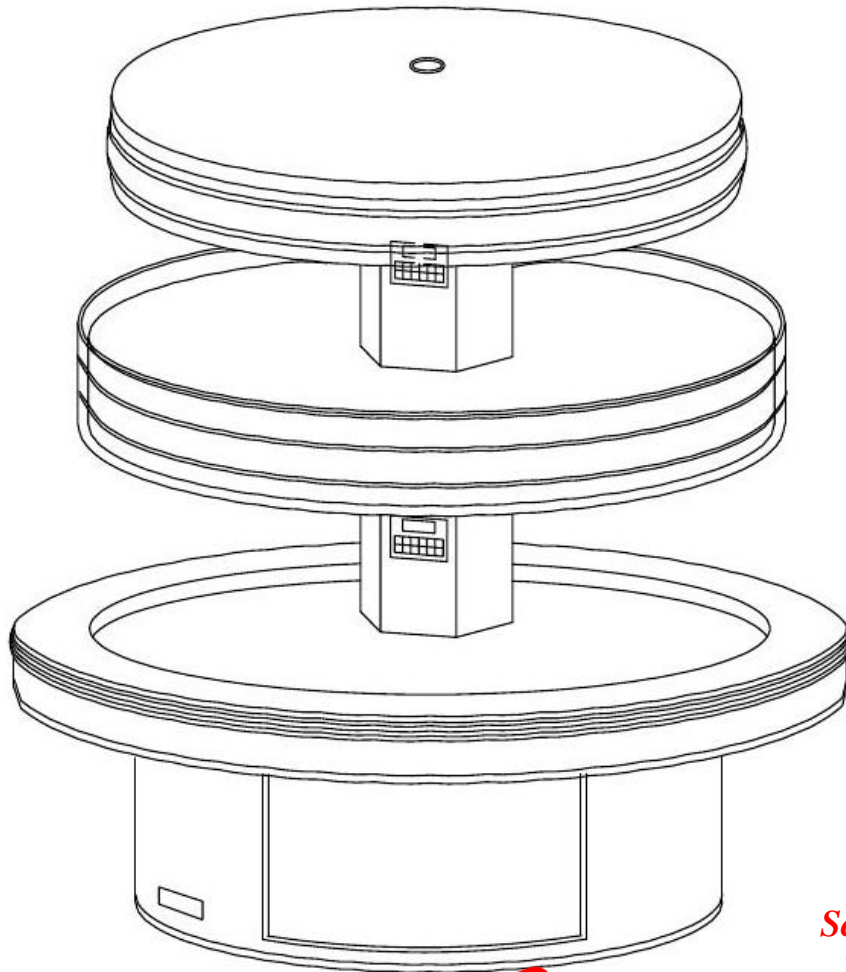


Two Tier Island Round Hot Packaged Food Case

IP # RHP6060T-custom-UO

62" L x 62" D x 59-5/16" H



*Scroll down – page
2 has additional
details*

*MASTER Approval
Drawings*

Approval – Complete All Sections

Colors:

Body: Stainless Steel

Bumper: black

Decks: Stainless steel

Upper Canopy and Perimeter ring on bottom
deck: “Carrara Grigio” quartz

Electric:

Voltage: 120/208V

Phase: Single

Source: Floor or Ceiling

Delivery

Site: Loading Dock

Delivery hours: _____

Depth of case is 62" which will fit through narrowest
space between delivery point and install location

Yes ___ No ___ If no – CALL US ASAP

Approval signature: _____

Date: _____

See last page for specifications table – your signature
above verifies the installation site has the required
power as shown



Atlantic Food Bars
Hot Food Merchandising
Equipment Specialists

HOT

888-MEAL-SOLUTIONS

(888-632-5765)

www.atlanticfoodbars.com

Two Tier Island

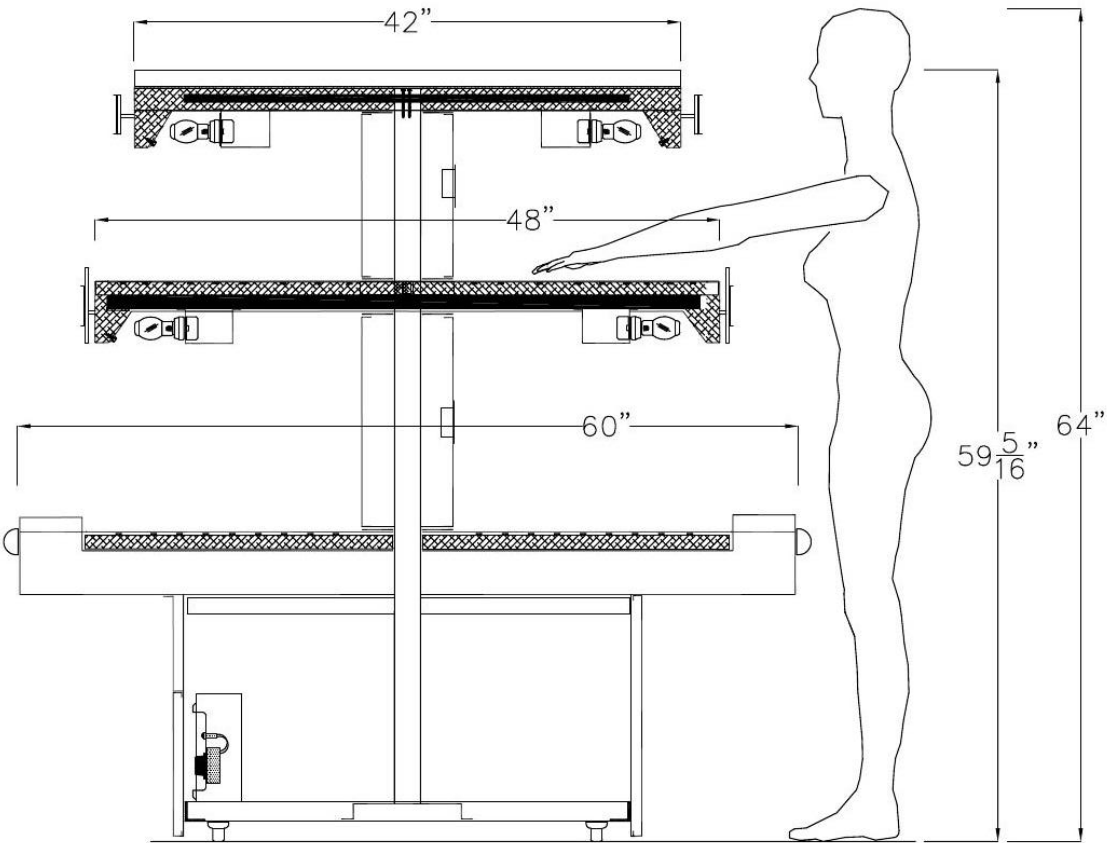
Round Hot Packaged Food Case

IP # RHP6060T-custom-UO

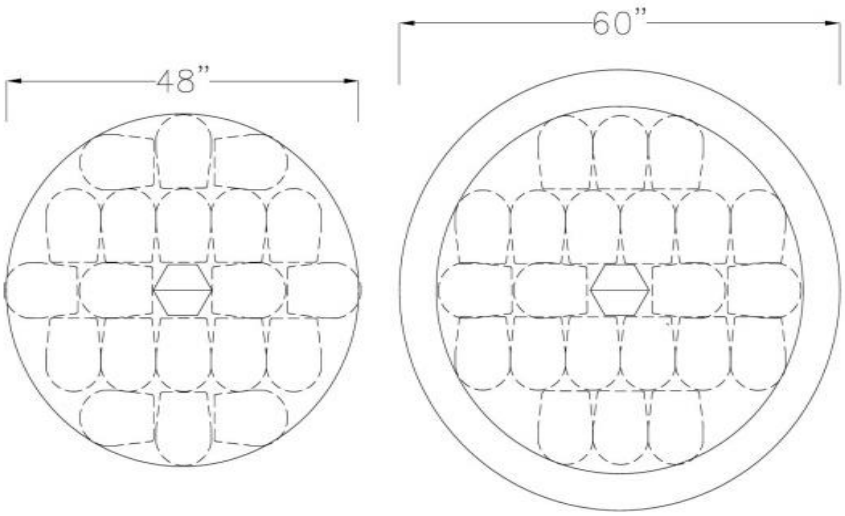
62" L x 62" D x 59-5/16" H

Details per sign off on page 1 and specifications on last page
 Approval signature: _____
 Date: _____

MASTER Approval Drawings



Cross Section



Plan Views

Internal Part #	Custom Description	Dimensions	Voltage	Amps 1 Ph	Chicken Capacity
RHP6060T-custom-UO	60" Two Tier Island Round Hot Packaged Food Case	62" L x 62" D x 59-5/16" H	120/208	24.0	42
Requires 30-amp circuit					

Celebrating 70 Years in 2017!

HOT

Atlantic Food Bars

Hot Food Merchandising
Equipment Specialists

888-MEAL-SOLUTIONS (888-632-5765)
www.atlanticfoodbars.com