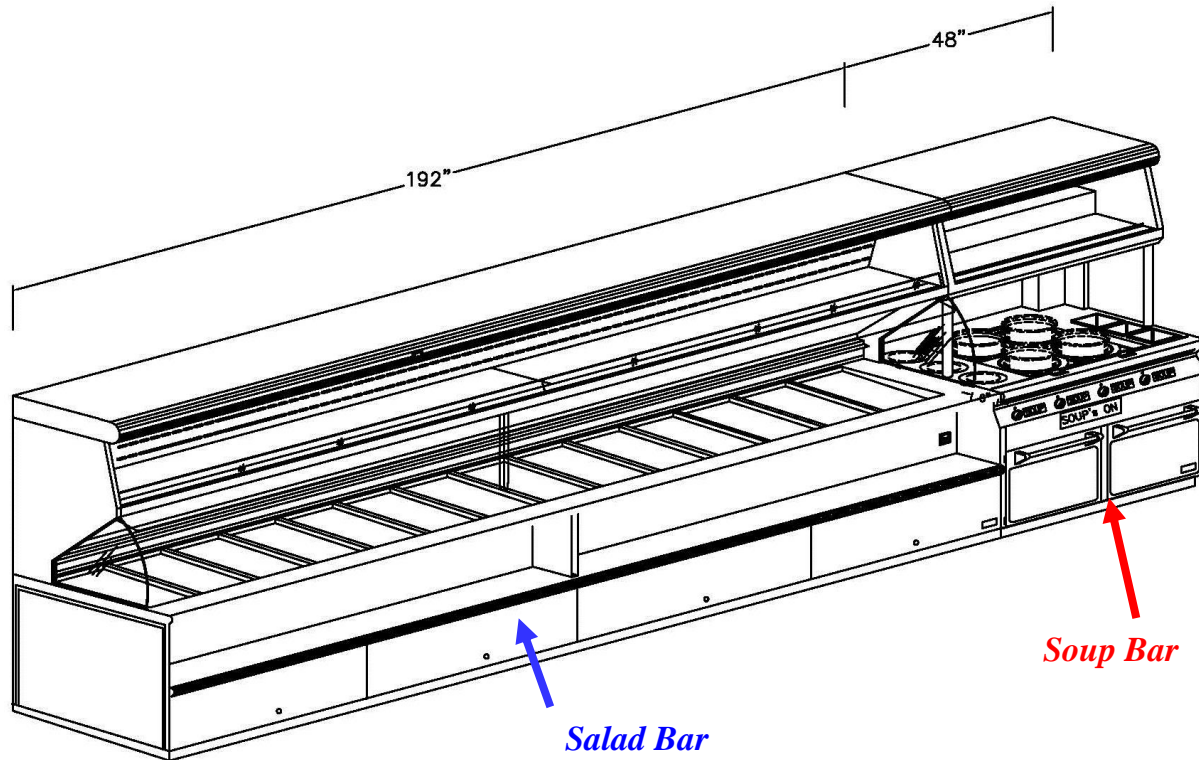


16' In-Line Salad Bar with Refrigerated Canopy, 4' Soup's On™ with Refrigerated Canopy

IP #SLSB19236 - 16'-0"L x 37" D x 74" H

IP #SOG4836-RC - 4'-0"L x 37" D x 74" H



Approval – Complete All Sections

Colors:

Body: Laminate : Mfr. Formica

Color Black Sparkle # 909-42

Bumper: black

Countertop:

Solid Surface : Mfr. Corian

Color: Black Quartz

Electric : see specs information on last page

Voltage 120/208V

Phase : 1 phase 3 Phase

Source : Floor

Delivery

Site: Loading Dock Ground Level

Delivery hours : _____

Depth of widest case is 37" which will fit through narrowest space between delivery point and install location Yes No If no – CALL US ASAP

Approval signature: _____

Date: _____

See last page for specifications table – your signature above verifies the installation site has the required power as shown



Atlantic Food Bars

Your **HOT & COLD** Food Equipment Specialist !

888-MEAL-SOLUTIONS (888-632-5765)

www.atlanticfoodbars.com

16' In-Line *Salad Bar* with Refrigerated Canopy,

4' *Soup's On™* with Refrigerated Canopy

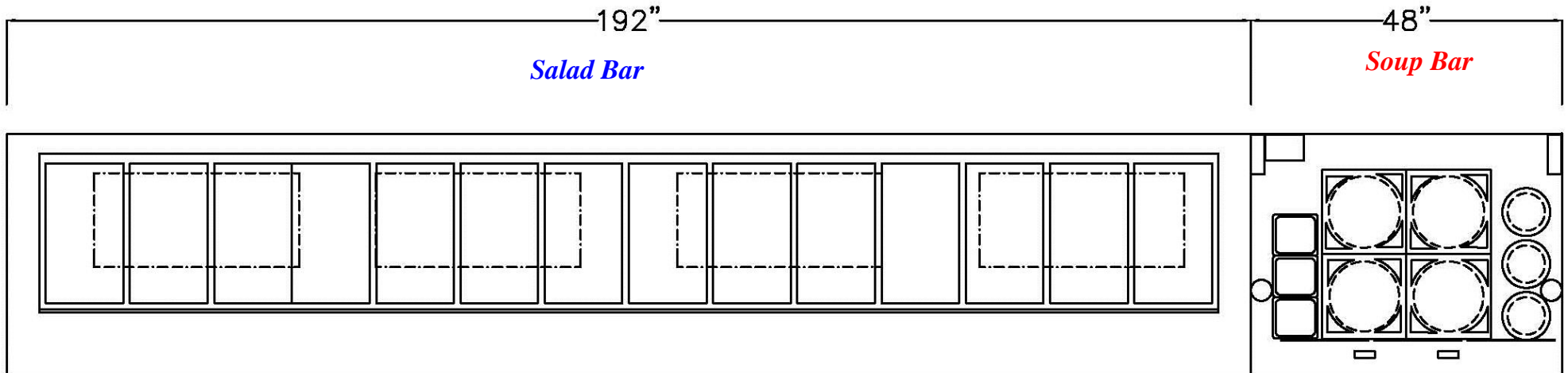
IP #SLSB19236 - 16'-0" L x 37" D x 74" H

IP #SOG4836-RC - 4'-0" L x 37" D x 74" H

Details per sign off on page 1 and specifications on last page

Approval signature: _____

Date: _____



Plan View



Atlantic Food Bars
Your **HOT & COLD** Food Equipment Specialist !
888-MEAL-SOLUTIONS (888-632-5765)
www.atlanticfoodbars.com

16' In-Line Salad Bar with Refrigerated Canopy,

4' Soup's On™ with Refrigerated Canopy

IP #SLSB19236 - 16'-0" L x 37" D x 74" H

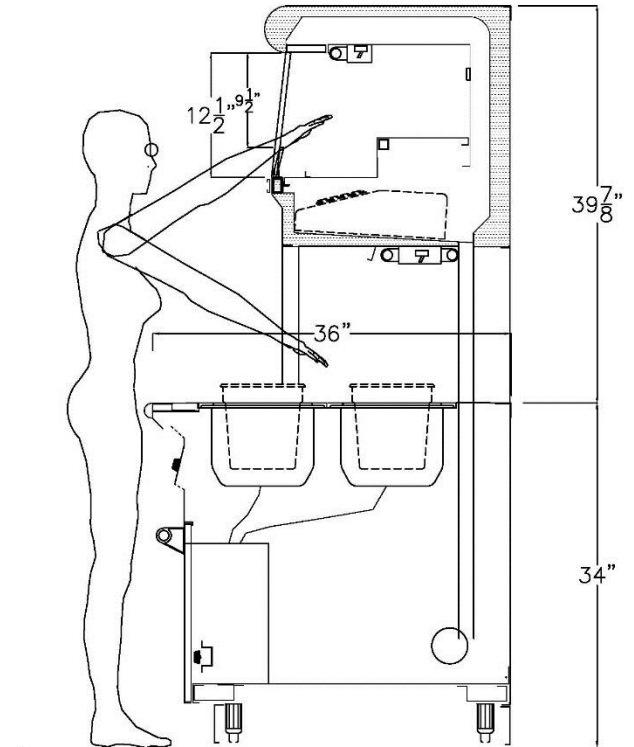
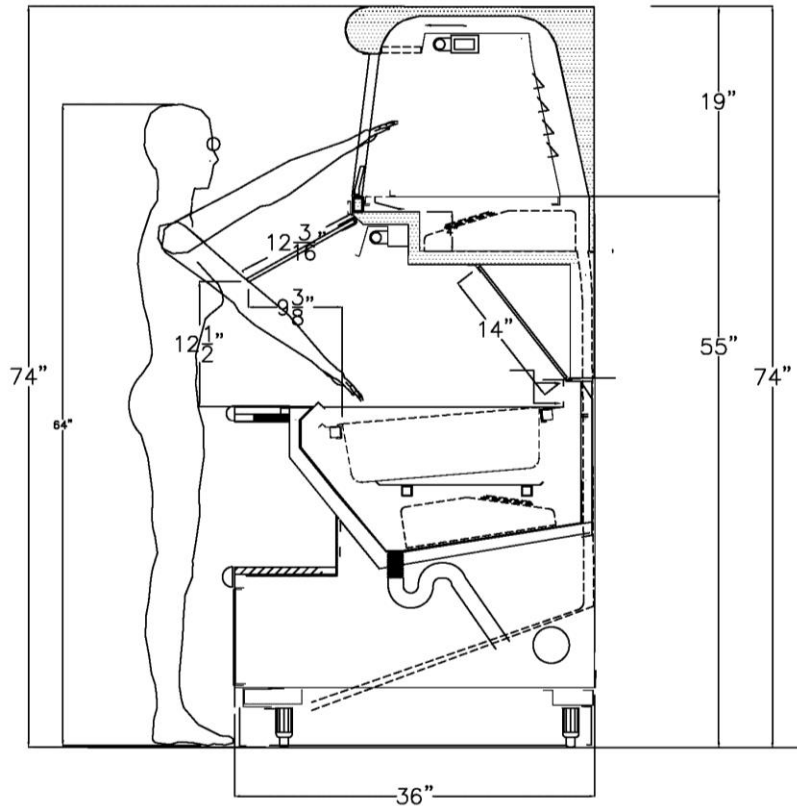
IP #SOG4836-RC - 4'-0" L x 37" D x 74" H

Details per sign off on page 1 and specifications on last page

Approval signature: _____

Date: _____

*Cross Section
Salad Bar*



*Cross Section
Soup Bar*

Internal Part #	Custom Description	Dimensions	Voltage	Remote Refrigeration	12" x 20" Pan Openings	11-qt Soup Well Capacity	BTU
				Amps 1 Ph			
SLSB19236	16' Salad Bar with Refrigerated Canopy	16'-0" L x 37" D x 74" H	120	23.0	14	N/A	18,400
SOG4836-RC	4' Soup's On™ with Refrigerated Canopy	4'-0" L x 37" D x 74" H	120/208	13.7	N/A	4	3,000



Atlantic Food Bars

Your **HOT & COLD** Food Equipment Specialist !

888-MEAL-SOLUTIONS (888-632-5765)

www.atlanticfoodbars.com