

Wall Model Self-Service

Asian Hot Food & Soup Merchandiser

With Rice Warmer, 7 Quart Magnetic Induction Soup Warming Wells, Front Controls and Fixed Rear Mirrors

HFB-SBM Series

IP #HFB-SBM Series
14'-2" L x 34" D x 54" H

No sneezeguard glass over soup wells or rice cooker – see next page

Front merchandising and container shelf

Front controls located behind sliding access doors

Rice cooker

2 each 7 qt magnetic induction soup warming wells

3 ea. cup dispensers

Fixed rear mirrors

Approval – Complete All Sections

Finishes:

Body: _____
Bumper: _____
Counter: _____

Electric:

Voltage: 120/208V
Phase: Three
Source: Floor

Delivery

Site: Loading Dock ___ Ground Level ___

Delivery hours: _____

Depth of case is 44" which will fit through narrowest space between delivery point and install location

Yes ___ No ___ If no – CALL US ASAP

Approval signature: _____

Date: _____

See last page for specifications table – your signature above verifies the installation site has the required power as shown

Celebrating 70
Years in 2017!



Atlantic Food Bars
Hot Food Merchandising
Equipment Specialists

888-MEAL-SOLUTIONS (888-632-5765)
www.atlanticfoodbars.com

Scroll down for
more views

Wall Model Self-Service

Asian Hot Food & Soup Merchandiser

With Rice Warmer, 7 Quart Magnetic Induction Soup Warming Wells, Front Controls and Fixed Rear Mirrors

IP #HFB-SBM Series
14'-2" L x 34" D x 54" H

HFB-SBM Series

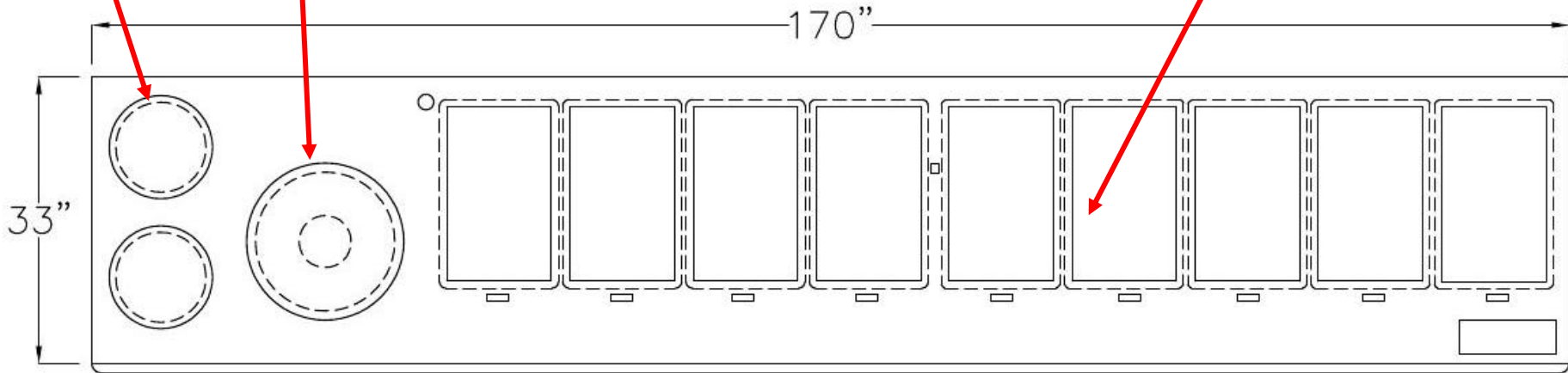
2 each 7 qt
magnetic
induction
soup warming
wells

Rice
cooker

Plan View

Employee Side

9 each 12" x 20"
standard wet/dry
warming wells



Customer Side

Details per sign off on page 1 and
specifications on last page

Approval signature: _____

Date: _____

Scroll down for
more views

Celebrating 70
Years in 2017!



HOT
Atlantic Food Bars
Hot Food Merchandising
Equipment Specialists

888-MEAL-SOLUTIONS
(888-632-5765)
www.atlanticfoodbars.com

Wall Model Self-Service

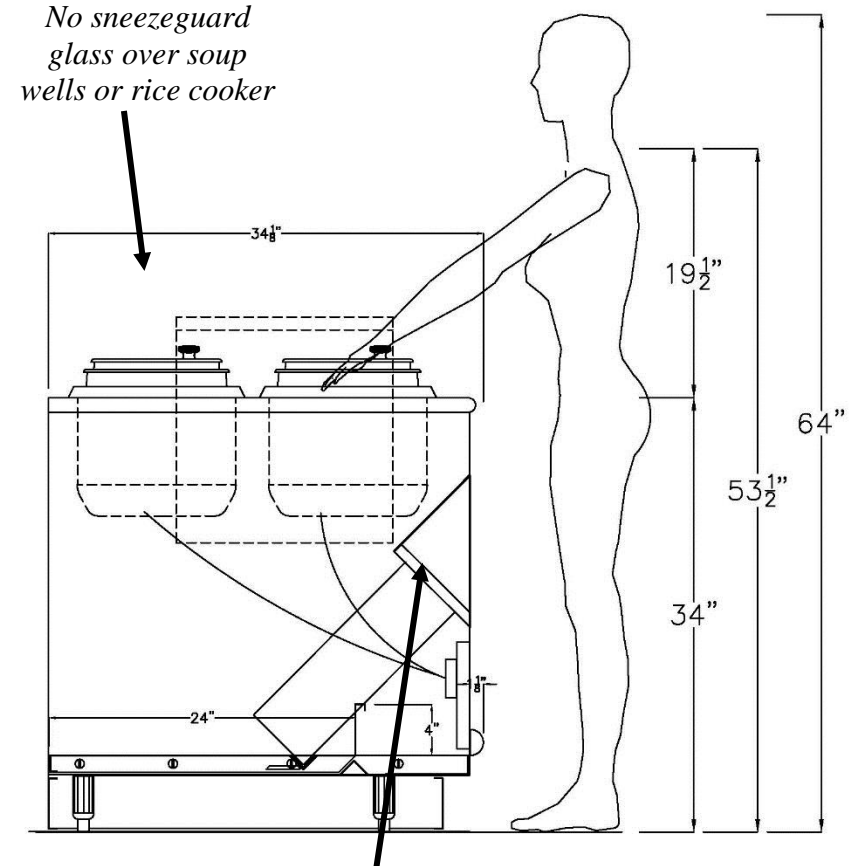
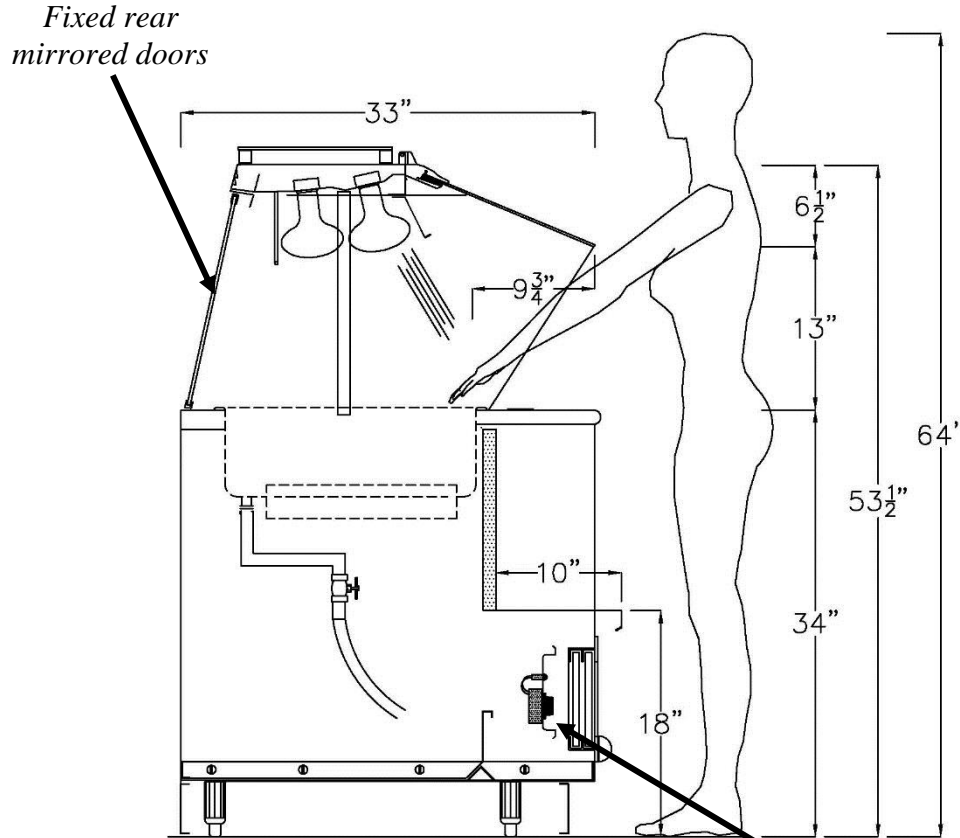
Asian Hot Food & Soup Merchandiser

With Rice Warmer, 7 Quart Magnetic Induction Soup Warming Wells, Front Controls and Fixed Rear Mirrors

IP #HFB-SBM Series
14'-2" L x 34" D x 54" H

HFB-SBM Series

Cross Sections



Details per sign off on page 1 and specifications on last page

Approval signature: _____

Date: _____

Scroll down for
more views

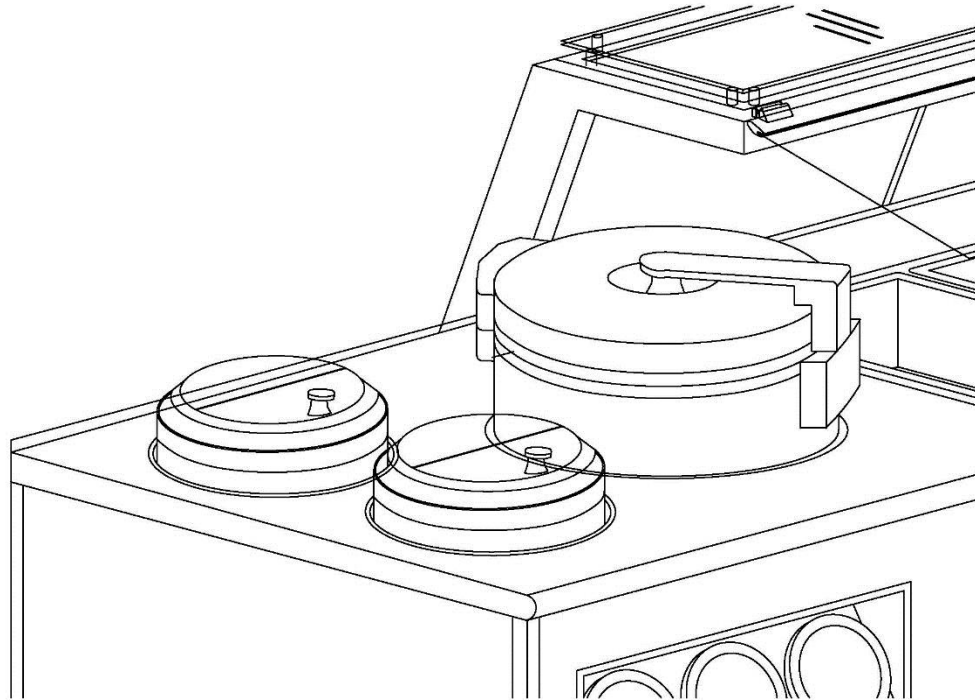
Celebrating 70
Years in 2017!



Atlantic Food Bars
Hot Food Merchandising
Equipment Specialists

888-MEAL-SOLUTIONS (888-632-5765)
www.atlanticfoodbars.com

Enlarged view of canopy with NO canopy over soup wells or rice cooker



Details per sign off on page 1 and specifications below

Approval signature: _____

Date: _____

IP CODE	DIMENSIONS L" X W" X H"	CAPACITY			ELECTRICAL		
		HOT Food 12 X 20	7 Quart Soup Warming Wells - WET/DRY	Rice Cooker	VOLTAGE	AMPS 3Ø	MCA
HFB14434-7V11IW2-BP3-F-FMC-FRM-GC-ISW2-RWH-SBEI2-SCD3-UO-VH	14'-2" L x 34" D" x 54" H	9	2	1	120/208	L1 = 38 L2 = 54 L3 = 54	70



HOT
Atlantic Food Bars
 Hot Food Merchandising
 Equipment Specialists

888-MEAL-SOLUTIONS
 (888-632-5765)
www.atlanticfoodbars.com