

**MHPF2446**

***Self-Service Multi Level Pizza & Hot  
Packaged Food Merchandiser w/ Glass Ends***



*Scroll down  
for more views*

**Approval – Complete All Sections**

**Colors:**

Body: Powder Coat black

Bumper: n/a

**Electric:**

Voltage: 120V

Phase: Single

Source: Ceiling \_\_\_\_\_ Floor \_\_\_\_\_

**Approval signature:** \_\_\_\_\_

**Date:** \_\_\_\_\_

*See last page for specifications table – your signature above verifies the installation site has the required power as shown*

**Celebrating 70  
Years in 2017!**



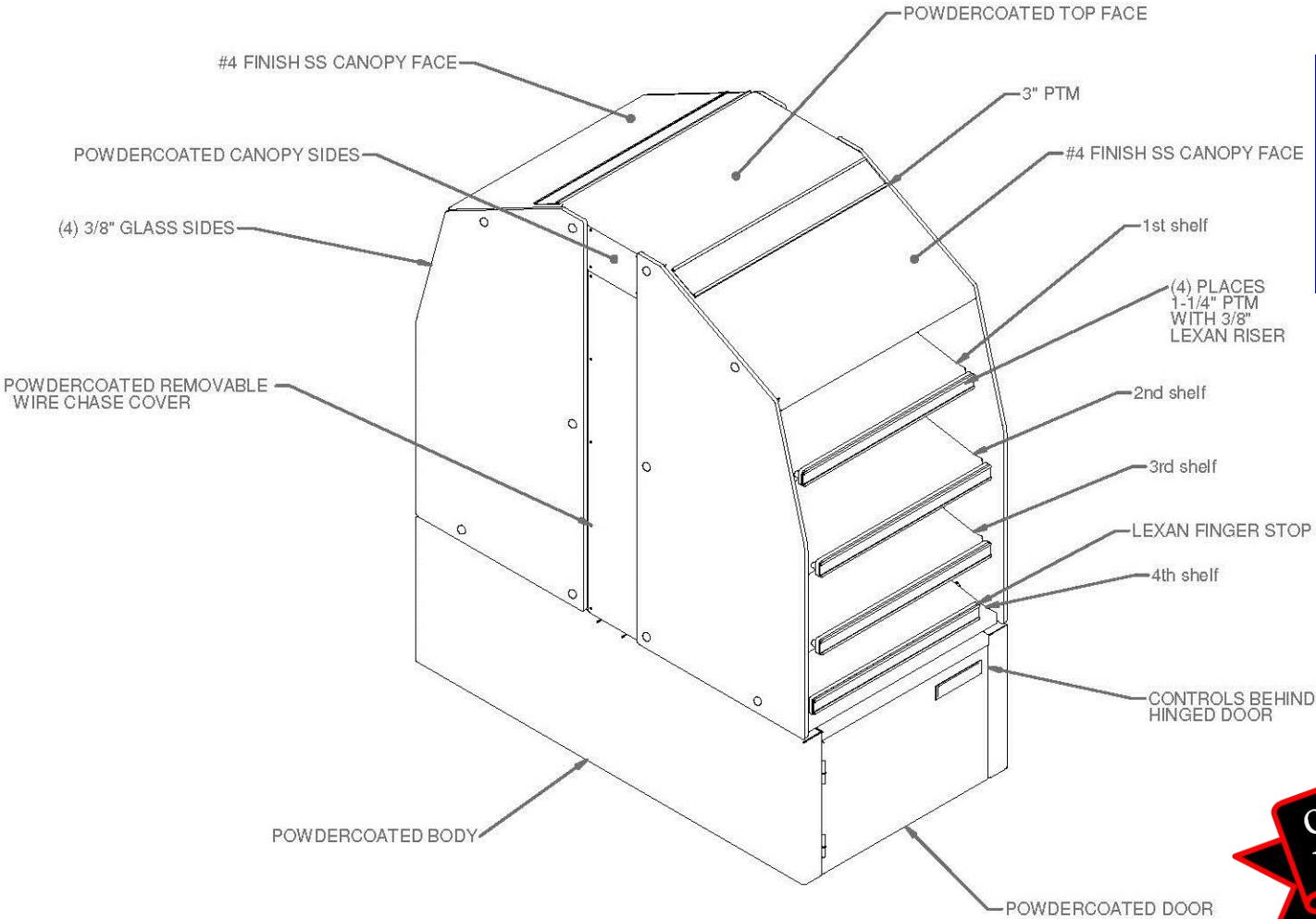
**Atlantic Food Bars**  
**Hot Food Merchandising  
Equipment Specialists**

888-MEAL-SOLUTIONS (888-632-5765)

[www.atlanticfoodbars.com](http://www.atlanticfoodbars.com)

# MHPF2446

## Self-Service Multi Level Pizza & Hot Packaged Food Merchandiser w/ Glass Ends



Details per sign off on page 1 and specifications on last page

Approval signature: \_\_\_\_\_

Date: \_\_\_\_\_

*Scroll down for more views*

Celebrating 70 Years in 2017!



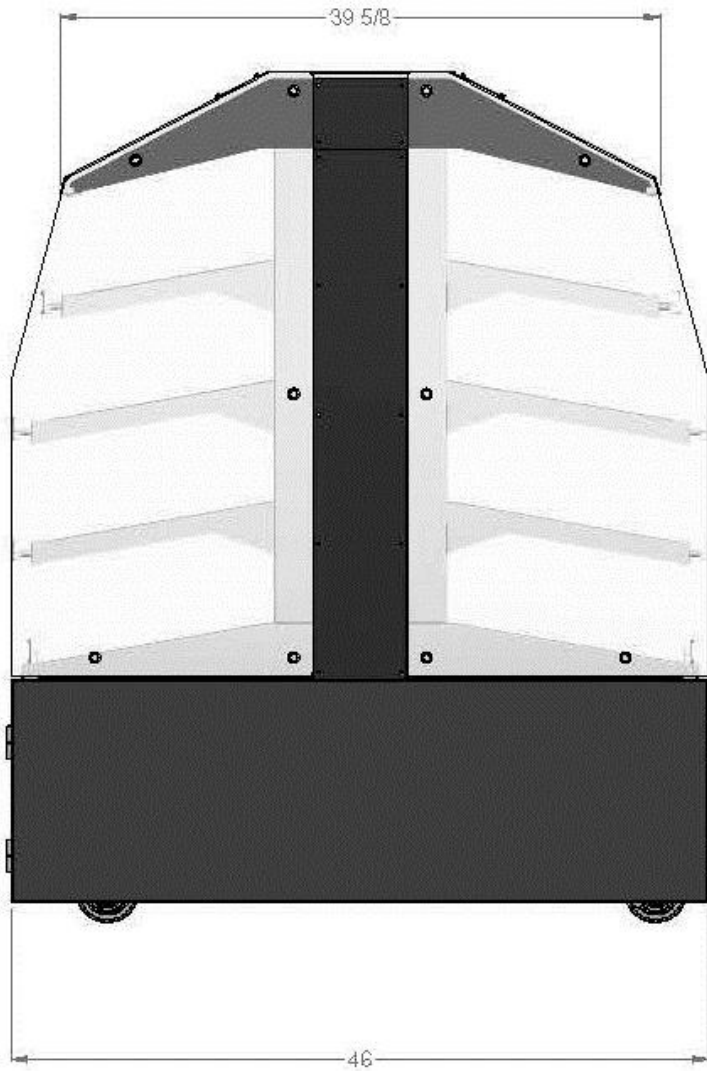
**HOT**  
**Atlantic Food Bars**  
Hot Food Merchandising  
Equipment Specialists

888-MEAL-SOLUTIONS (888-632-5765)

[www.atlanticfoodbars.com](http://www.atlanticfoodbars.com)

# MHPF2446

## Self-Service Multi Level Pizza & Hot Packaged Food Merchandiser w/ Glass Ends



MIRRORED BACK

Details per sign off on page 1 and specifications on last page

Approval signature: \_\_\_\_\_

Date: \_\_\_\_\_

*Scroll down for more views*

Celebrating 70 Years in 2017!



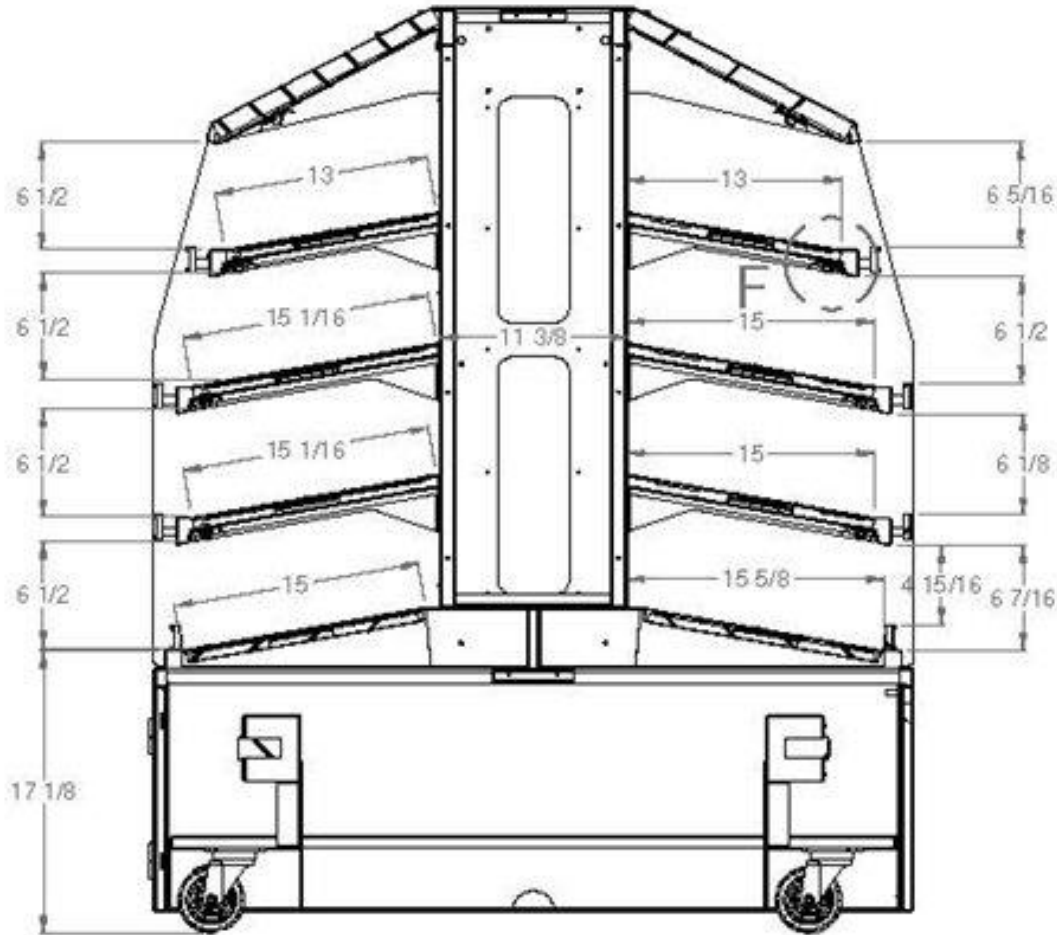
**Atlantic Food Bars**  
Hot Food Merchandising  
Equipment Specialists

888-MEAL-SOLUTIONS (888-632-5765)

[www.atlanticfoodbars.com](http://www.atlanticfoodbars.com)

# MHPF2446

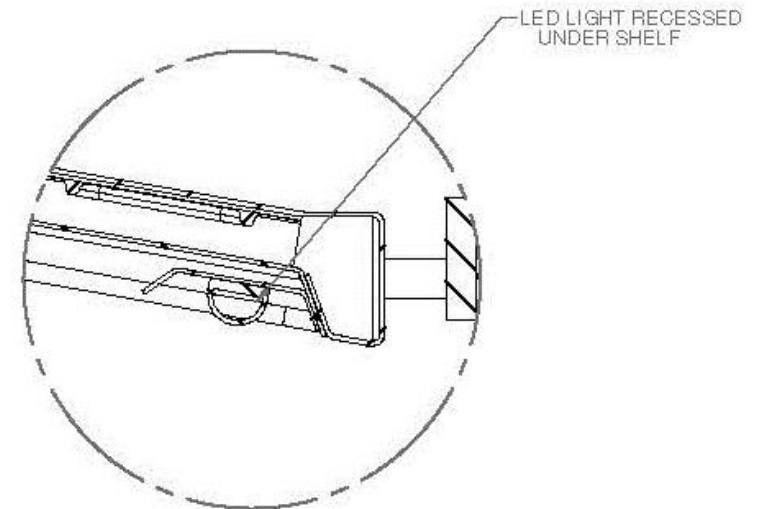
## Self-Service Multi Level Pizza & Hot Packaged Food Merchandiser w/ Glass Ends



Details per sign off on page 1 and specifications on last page

Approval signature: \_\_\_\_\_

Date: \_\_\_\_\_



DETAIL F

IP CODE	DIMENSIONS L" X W" X H"	CAPACITY	ELECTRICAL			
		LEVELS	VOLTAGE	AMPS	PLUG	MCA
MHPF2446-CE-PCB	24.125 x 46 x 56	4 (x2)	120	15.3 - 1Ø	5-20	19.1



**HOT**

**Atlantic Food Bars**  
Hot Food Merchandising  
Equipment Specialists

888-MEAL-SOLUTIONS (888-632-5765)  
www.atlanticfoodbars.com