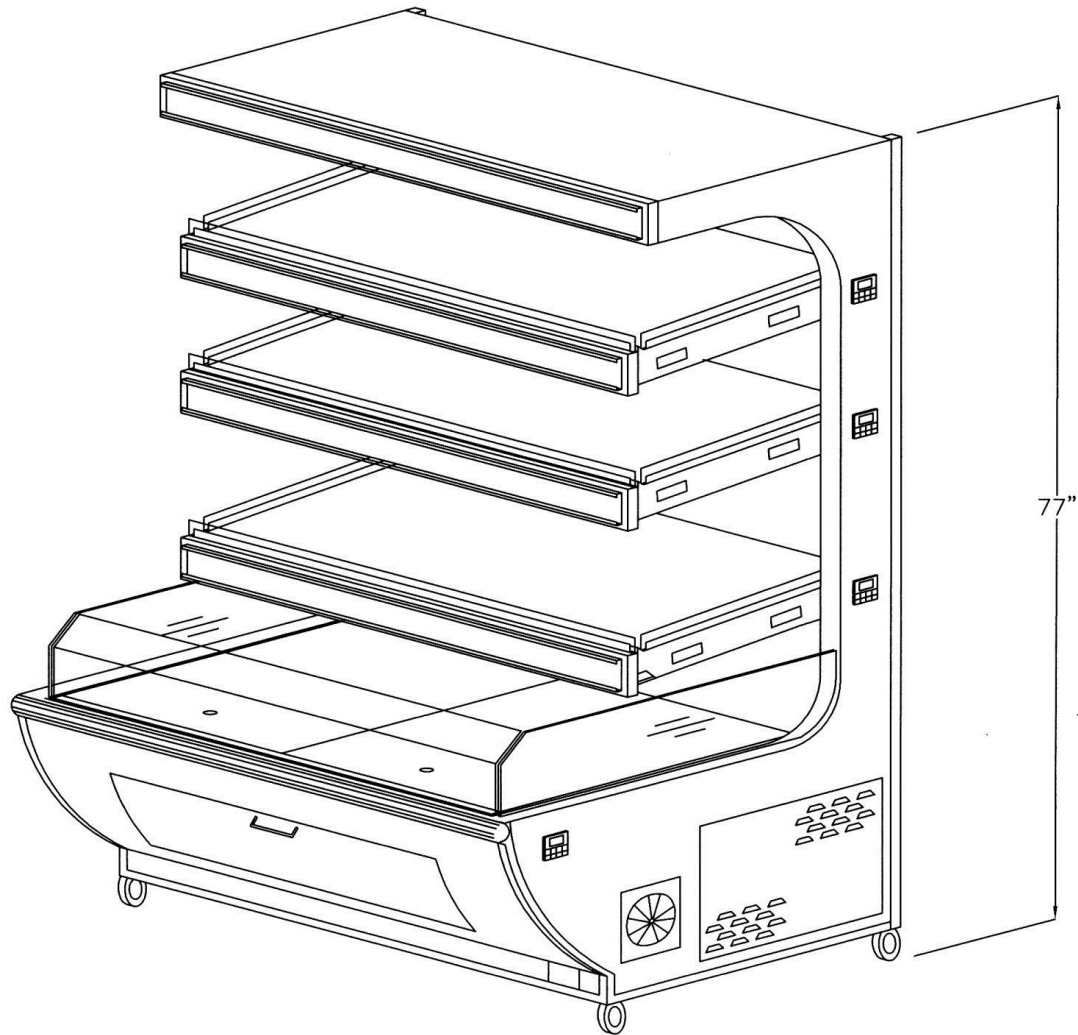


Self-Service Combination Hot & Cold Packaged Food Merchandiser

Perfect for In-Line, End Cap or Wall Use

IP #ILRECE4838-AS-SC

4'-0" L x 39" D x 77" H



*4' unit shown with
optional 3rd hot shelf*



Atlantic Food Bars

Your **HOT & COLD** Food Equipment Specialist !

888-MEAL-SOLUTIONS (888-632-5765)

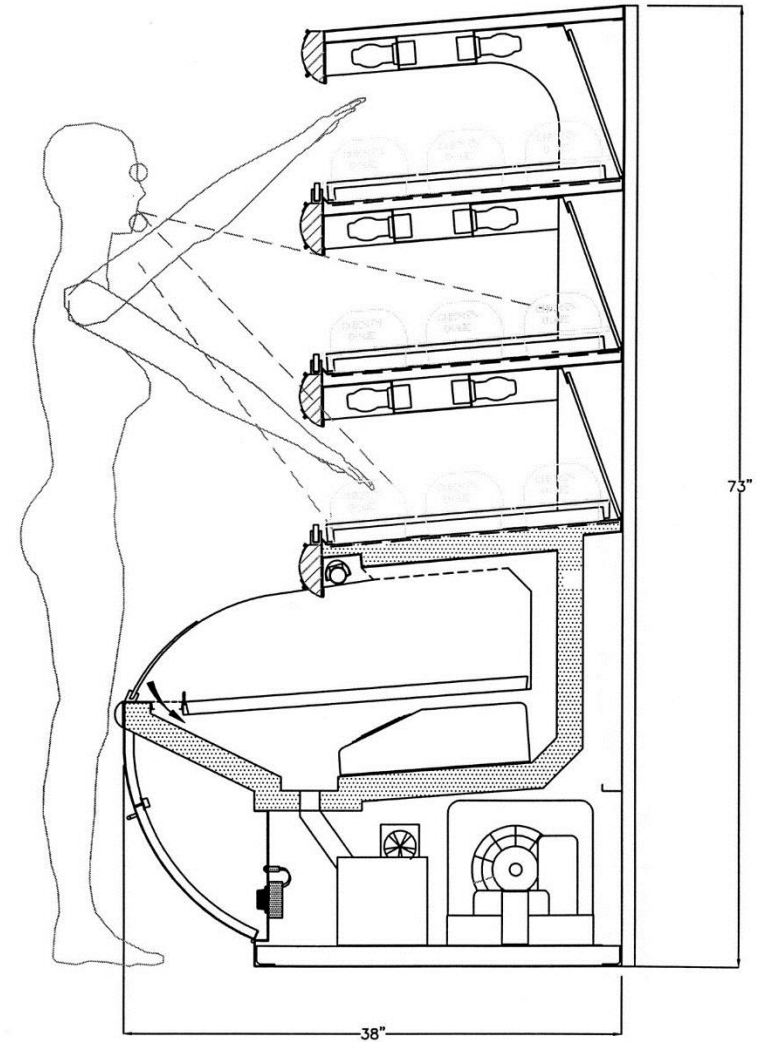
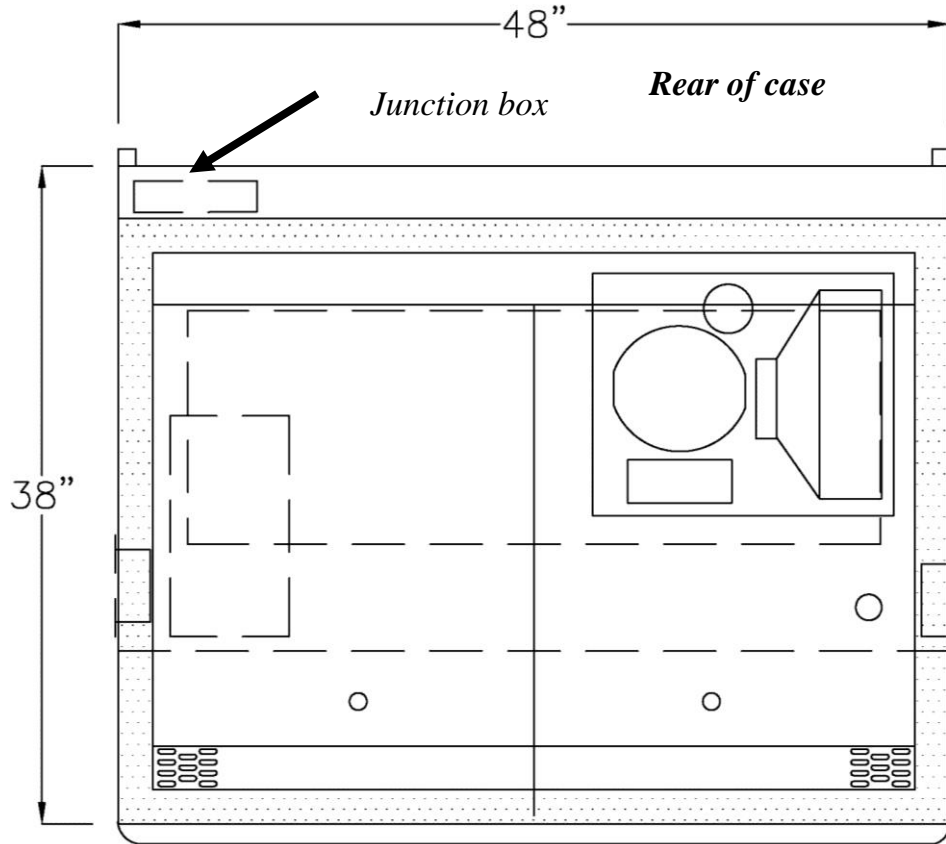
www.atlanticfoodbars.com

Self-Service Combination Hot & Cold Packaged Food Merchandiser

Perfect for In-Line, End Cap or Wall Use

IP #ILRECE4838-AS-SC

4'-0" L x 39" D x 77" H



Cross Section

Internal Part #	Custom Description	Dimensions	Voltage	Self-Contained Refrigeration	Chicken Capacity
				Amps 1 Ph	
ILRECE4838-AS-SC	4' Multi-Tier Hot & Cold Packaged Food Merchandiser	4'-0" L x 39" D x 77" H	120/208	42.1	30
Requires 60-amp circuit					



Atlantic Food Bars
 Your **HOT & COLD** Food Equipment Specialist!
 888-MEAL-SOLUTIONS (888-632-5765)
www.atlanticfoodbars.com