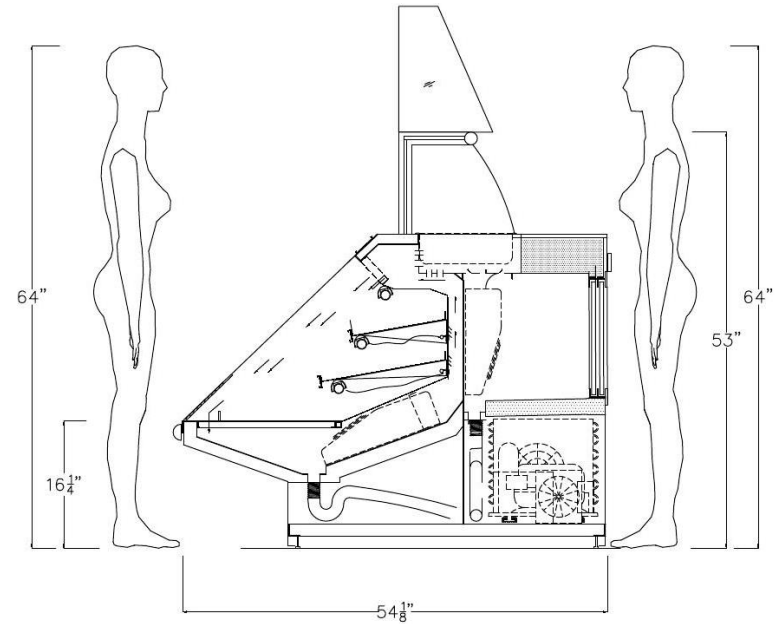
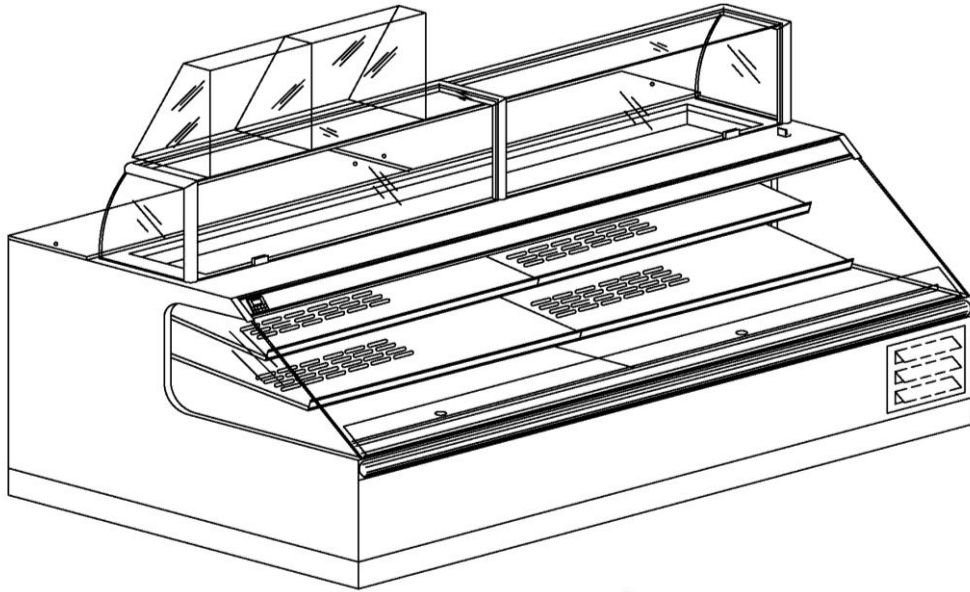


8' Full/Self Service Sandwich

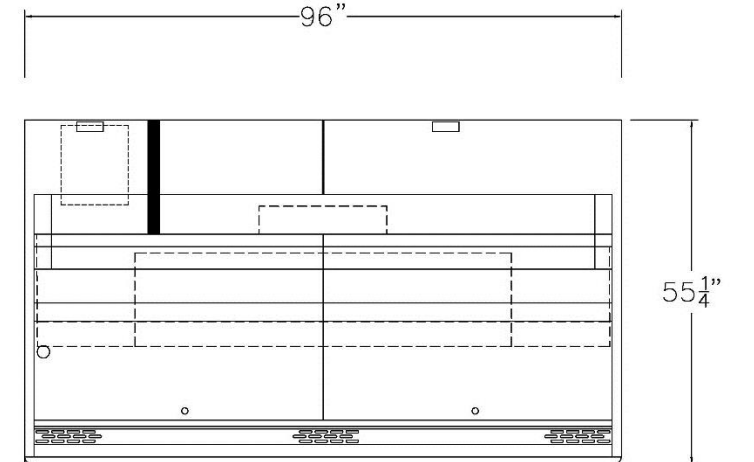
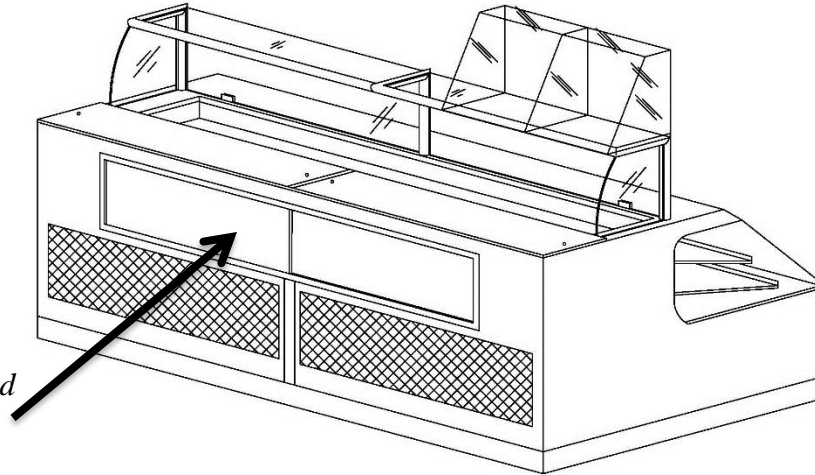
IP # SILR9654-RS-SC-UO

96" L x 55 1/4" D x 53" H



Scroll down for more views

Rear refrigerated storage



Internal Part #	Custom Description	Dimensions	Voltage	Self-Contained Refrigeration	12" x 20" pan capacity (top rail)
				Amps 1 Ph	
SILR9654-RS-SC-UO	8' Multi-Tier Refrigerated Merchandiser with Prep Top and Rear Refrigerated Storage	8'-0" L x 55" D x 53" H	120/208	31.0	4

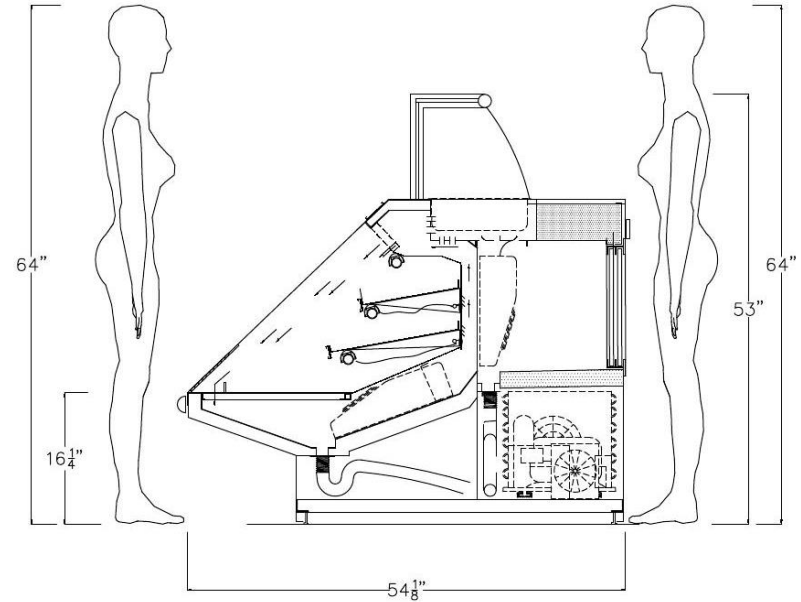
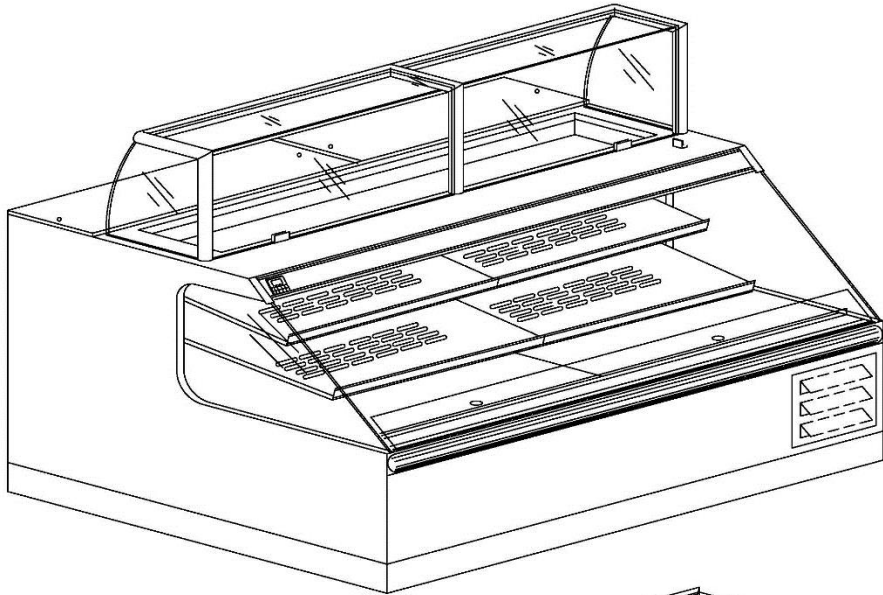


Atlantic Food Bars
 Your **HOT & COLD** Food Equipment Specialist!
 888-MEAL-SOLUTIONS (888-632-5765)
www.atlanticfoodbars.com

6' Sushi Bar

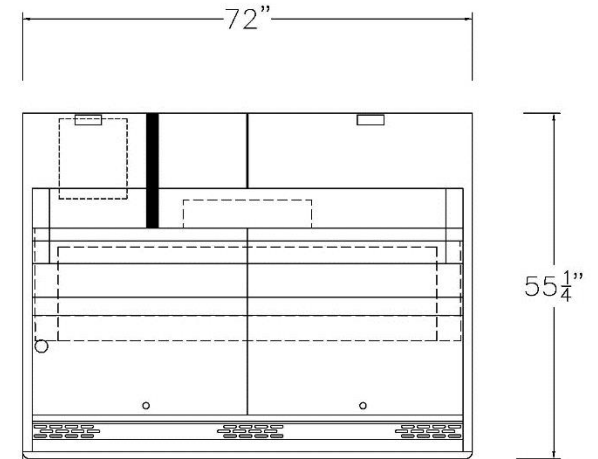
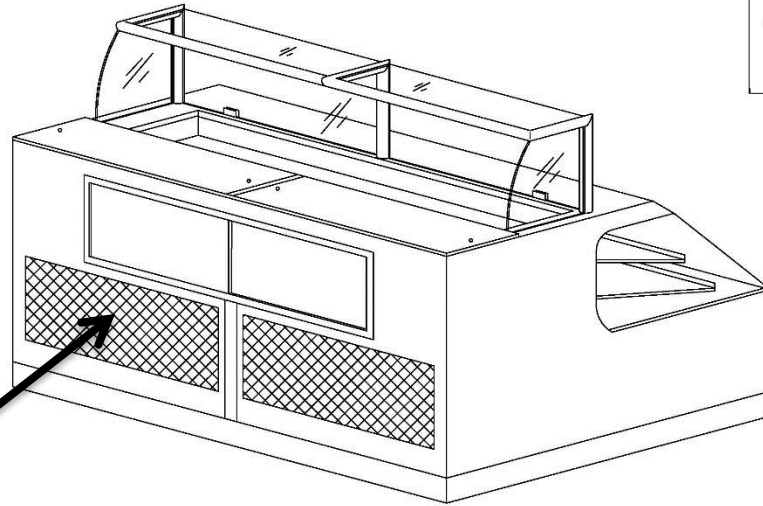
IP # SILR7254-RS-SC-UO

72" L x 55 1/4" D x 53" H



Scroll down for more views

Rear refrigerated storage



Internal Part #	Custom Description	Dimensions	Voltage	Self-Contained Refrigeration	12" x 20" pan capacity (top rail)
				Amps 1 Ph	
SILR7254-RS-SC-UO	6' Multi-Tier Refrigerated Merchandiser with Prep Top and Rear Refrigerated Storage	6'-0" L x 55" D x 53" H	120/208	21.4	3



Atlantic Food Bars
 Your **HOT & COLD** Food Equipment Specialist!
 888-MEAL-SOLUTIONS (888-632-5765)
www.atlanticfoodbars.com