

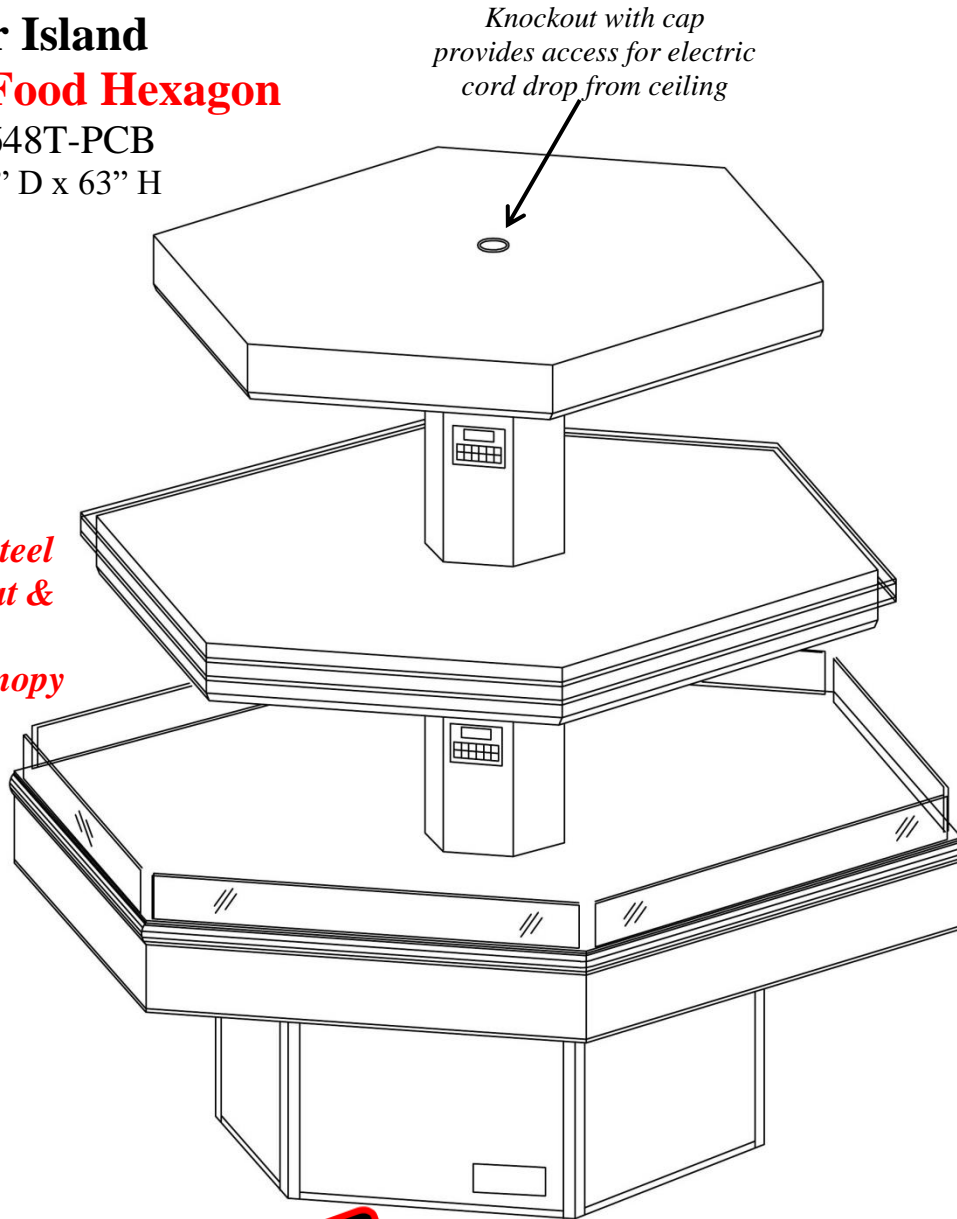
HEX-A-HOT™

Two Tier Island

Hot Packaged Food Hexagon

IP #HXH5648T-PCB

4'-10" L x 50" D x 63" H



*Heated stainless steel
decks with top heat &
BRILLIANT
illumination in canopy*

Approval – Complete All Sections

Colors:

Body: Powder Coat Black

Bumper: Black

Electric:

Voltage 120/208V

Phase: Single _____ or Three _____ (check one)

Delivery

Site: Loading Dock ___ Ground Level ___

Delivery hours: _____

Depth of case is 50" which will fit through narrowest space between delivery point and install location. Yes ___ No ___ If no – CALL US ASAP

Approval signature: _____

Date: _____

See last page for specifications table – your signature above verifies the installation site has the required power as shown, and that the case will be built per the colors and specs as indicated, unless otherwise noted.

Scroll down for more views



Atlantic Food Bars
Hot Food Merchandising
Equipment Specialists

888-MEAL-SOLUTIONS
(888-632-5765)

www.atlanticfoodbars.com

HEX-A-HOT™

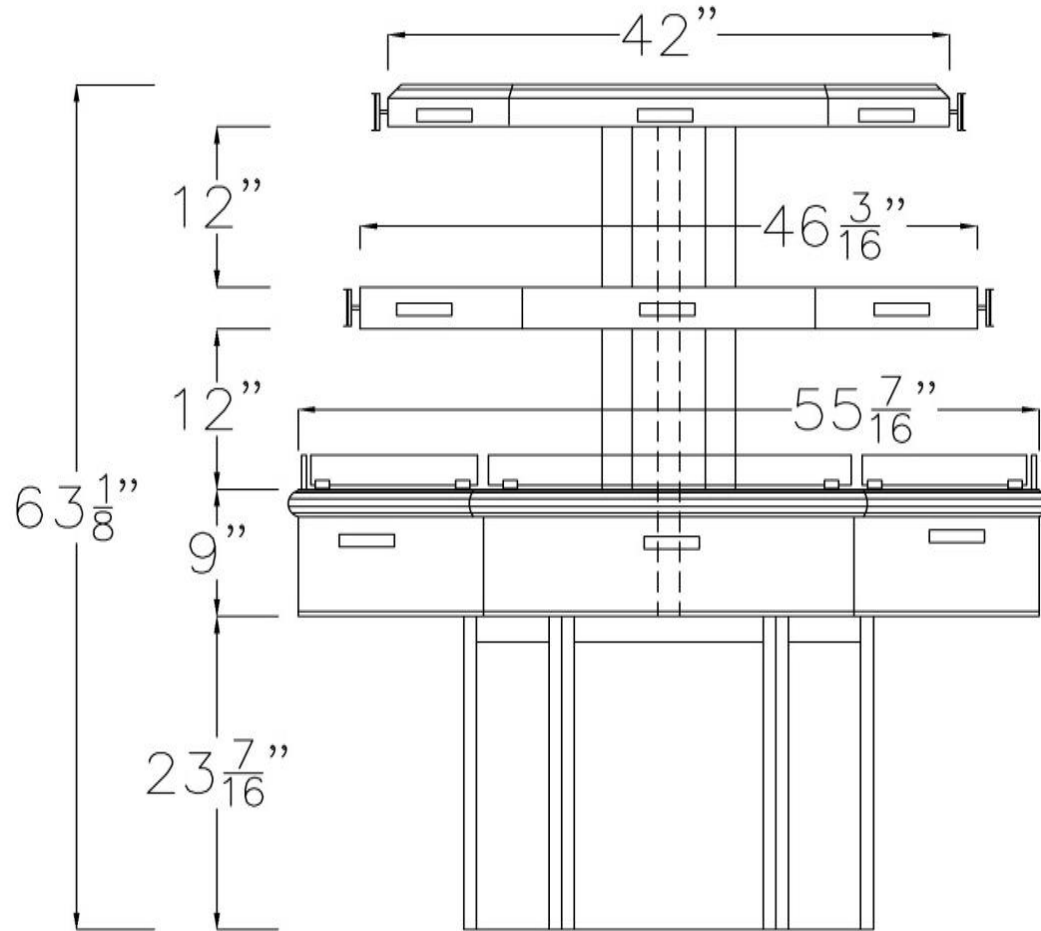
Two Tier Island Hot Packaged Food Hexagon

IP #HXH5648T-PCB
4'-10" L x 50" D x 63" H

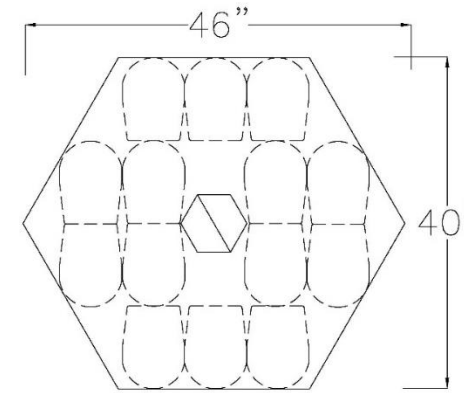
Details per sign off on page 1 and specifications on last page

Approval signature: _____

Date: _____

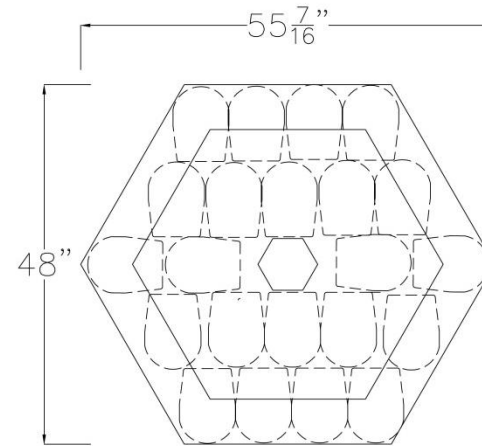


Cross Section



Top Deck

Chicken Done Capacity



Bottom Deck

IP CODE	DIMENSIONS L" X W" X H"	CAPACITY		ELECTRICAL			
		LEVELS	CHICKENS	VOLTAGE	AMPS	PLUG	MCA
HXH5648T-PCB	58 x 50.625 x 63	2	36	120/208	21.9 - 1Ø 14.4 - 3Ø	-	27.4 - 1Ø 18.0 - 3Ø

Celebrating 70
Years in 2017!



HOT

Atlantic Food Bars

Hot Food Merchandising
Equipment Specialists

888-MEAL-SOLUTIONS (888-632-5765)
www.atlanticfoodbars.com