

*Make your Fresh Prepared Food offerings a FLEXIBLE prepared food merchandising center with our HCCSFB Series Convertible Hot & Cold and Convertible Full & Self Service Meal & Sides Merchandiser !*

*Scroll down to learn more about our ever expanding designs and innovations.*



**FULL SERVICE**

Change your merchandising form based upon the time of day, traffic pattern and food. Sneeze guard easily slides under the top for self service mode. No tools required!

Always maximize your merchandising regardless of whether you are selling hot or cold food. The latest technology allows you to convert from heated to refrigerated in the same footprint, eliminating the need for a secondary case.



**SELF SERVICE**

**HOT & COLD**

Atlantic Food Bars

Hot & Cold Food Equipment Specialists

888 MEAL SOLUTIONS (888) 257-6511

info@atlanticfoodbars.com

www.atlanticfoodbars.com



**HCCSFB Series** Convertible Hot & Cold

+ Convertible Full & Self Service Meal & Sides Merchandiser

# HCCSFB Series

## Convertible Hot & Cold and Convertible Full & Self Service Meal & Sides Merchandiser

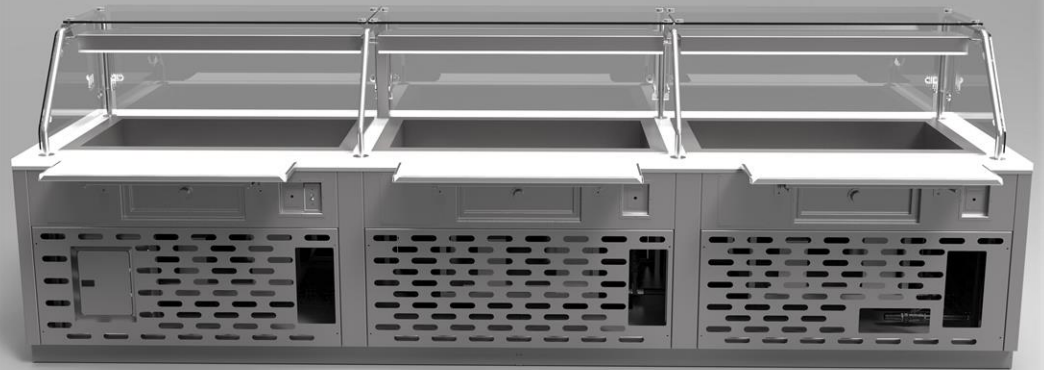


### Standard Features

- " Infinite controls on top and bottom heat of each well keeps food fresh and health departments happy
- " Heavy 14 gauge 304 stainless steel countertop
- " Brilliant interior lighting enhances food display
- " Full length convertible full / self-service frameless tempered glass sneezeguard
- " Full glass top on sneezeguard
- " Full length radiant top heat for use when hot food is being displayed
- " Full length LED lighting
- " Front container and merchandising shelf
- " Solar powered digital thermometer makes it easy to monitor temperatures
- " All stainless steel body
- " Bumper available in color of your choice

### Options ó see images on following pages

- £ Solid surface countertop
- £ Granite countertop
- £ Entire body to be #4 satin finish stainless steel in lieu of steel with plastic laminate covering
- £ Flip-down poly work shelves in rear
- £ Custom stainless steel food pans with square corners or NSF approved rounded corner, slanted or vertical sides - pans in flange-free design . any size, shape and depth . shows off your food like no other food bar can



**HOT & COLD**

Atlantic Food Bars

Hot & Cold Food Equipment Specialists

888MEAL-SOLUTIONS (888-257-65)

info@atlanticfoodbars.com

www.atlanticfoodbars.com

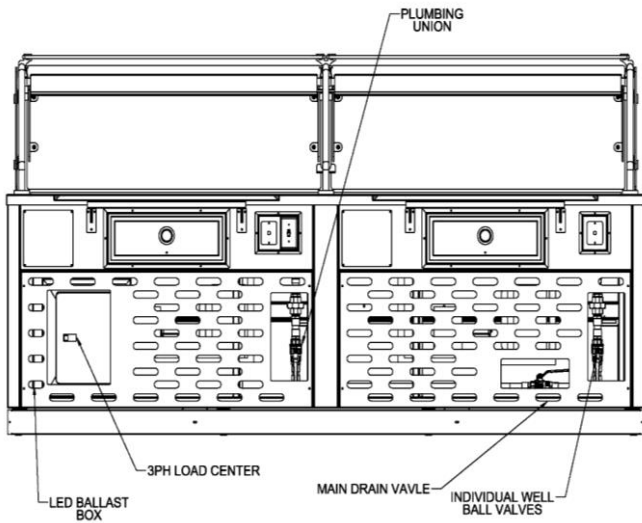
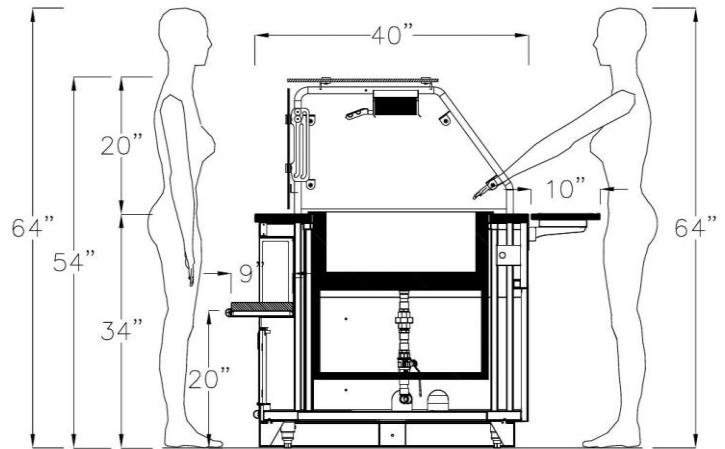
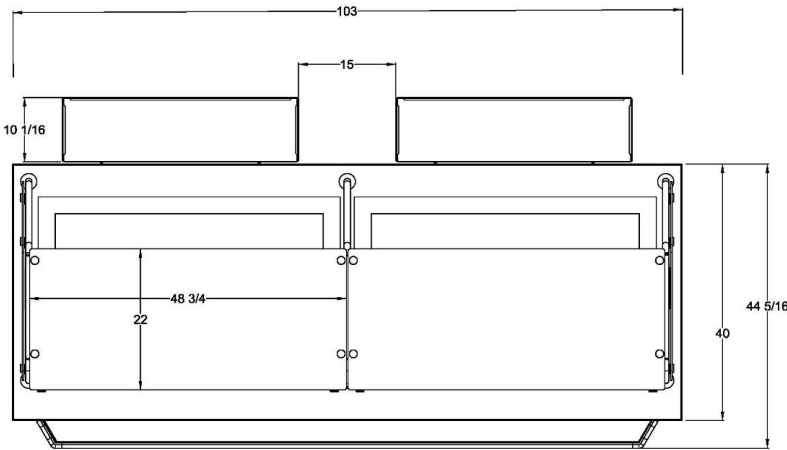


# HCCSFB Series

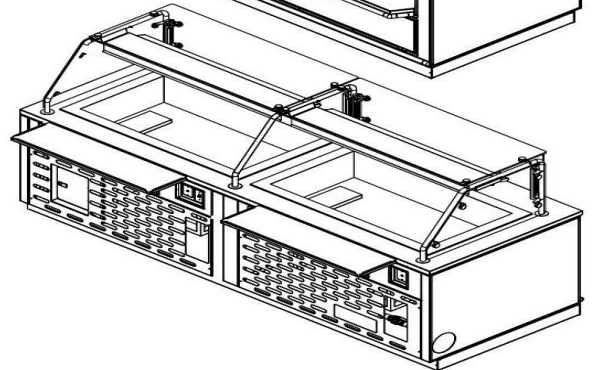
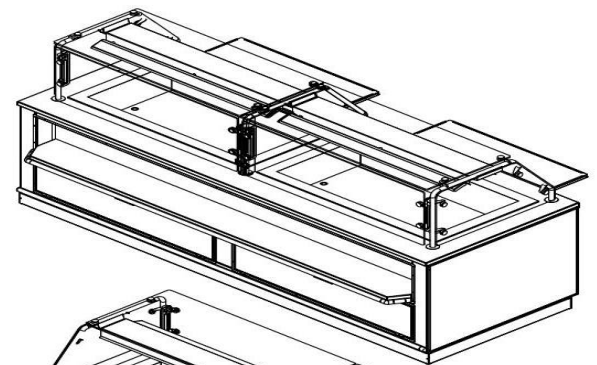
Convertible Hot & Cold +

Convertible Full & Self Service Meal & Sides Merchandiser

Atlantic Food Bars HCCSFB Series Convertible Hot & Cold + Convertible Full & Self Service Meal Merchandiser. Atlantic Food Bars is committed to our policy and mission to continually improve our products, consequently, Atlantic Food Bars reserves the rights to change materials and specifications without notice.



Available in lengths



IP Code	O.A. Dimensions N ö " z " Y ö "	Capacity z12 x20 pans	Electrical Voltage
HCCSFB9640	2 ö z " 8 7 ö z " 7 56" ö		120/208
HCCSFB12040	3 2-2ö z " 8 7 ö z " 7 38" ö		120/208
HCCSFB14440	3 4-2ö z " 8 7 ö z " 7 50" ö		120/208



HOT & COLD

Atlantic Food Bars

Hot & Cold Food Equipment Specialists

888MEAL-SOLUTIONS (888-257-65)

info@atlanticfoodbars.com

www.atlanticfoodbars.com





# Convertible *Hot & Cold* Convertible *FULL & SELF Service* Meal & Sides Merchandiser ~ Features ~

## SELL HOT FOOD, COLD FOOD OR BOTH FROM CONVERTIBLE WELLS !

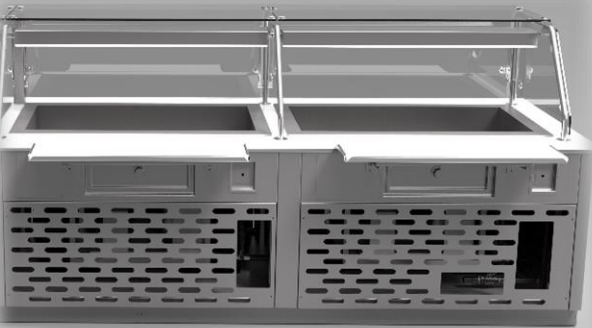
Always maximize your merchandising regardless of whether you are selling hot or cold food. The latest technology allows you to convert from heated to refrigerated in the same footprint, eliminating the need for a secondary case.



SELF SERVICE



FULL SERVICE



## FRONT MERCHANDISING & CONTAINER SHELVES

Build impulse sales in this BONUS merchandising area. Neater and cleaner than stacking dry product on the floor or on racks in front of case. Keep the food containers organized and conveniently located without wasting valuable floor space.

CLICK TO PLAY VIDEO DEMO OF CONVERTIBLE SNEEZEGUARD !

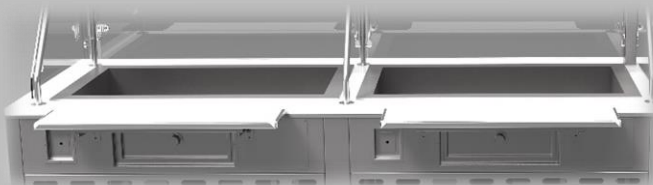


## PROPRIETARY CONVERTIBLE FULL TO SELF SERVICE SNEEZEGUARD

Change your merchandising format based upon the time of day, traffic patterns and food. Sneeze guard easily slides under the top for self service model, no tools required.

## REAR POLY WORK SHELVES ON DROP HINGES

Employees can easily cut, prepare and serve foods from poly board on drop shelf that easily folds down when not in use.



**HOT & COLD**  
 Atlantic Food Bars  
 Hot & Cold Food Equipment Specialists  
 888 MEAL-SOLUTIONS (888-257-65)  
 info@atlanticfoodbars.com      www.atlanticfoodbars.com



Options & Accessories  
 HCCSFB Series

# **HCCSFB Series**

**Convertible Hot & Cold and**

**Convertible Full & Self Service Meal & Sides Merchandiser**

---



**HOT & COLD**

Atlantic Food Bars

Hot & Cold Food Equipment Specialists

888MEALSOLUTIONS (888) 25765

info@atlanticfoodbars.com

www.atlanticfoodbars.com

