

# Dry Aged Beef Case

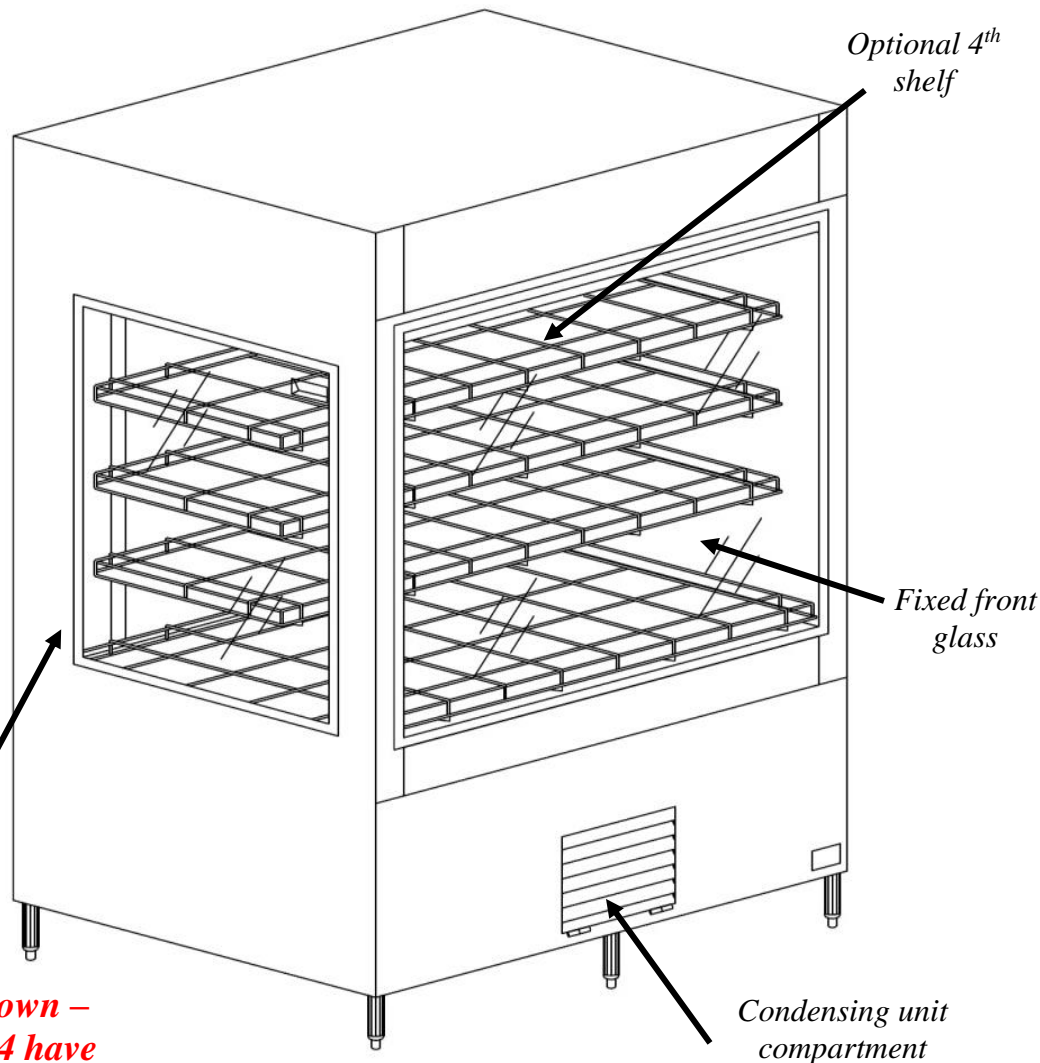
Rear Load, Self-Contained

IP# ABC5039 Series

50" L x 38-5/8" D x 84-7/8" H

**NOTE :** Shown with glass on all 4 sides – available with 1, 2, 3 or 4 sides glass.

MASTER APPROVAL  
DRAWINGS



Fixed glass  
on 2 sides

Optional 4<sup>th</sup>  
shelf

Fixed front  
glass

Condensing unit  
compartment

Scroll down –  
pages 2-4 have  
additional views

## Approval – Complete All Sections

### Colors:

Body: \_\_\_\_\_

Bumper: n/a

**Refrigeration:** Self Contained

### Electric:

Voltage: 120V

Phase: Single

Source: Floor

### Delivery

Site: Loading Dock \_\_\_ Ground Level \_\_\_

Delivery hours: \_\_\_\_\_

Depth of case is 39" which will fit through  
narrowest space between delivery point and install  
location Yes \_\_\_ No \_\_\_ If no – CALL US ASAP

Approval signature: \_\_\_\_\_

Date: \_\_\_\_\_

See last page for specifications table – your  
signature above verifies the installation site has the  
required power as shown, and that the case will be  
built per the colors and specs as indicated, unless  
otherwise noted.

Celebrating  
75 Years In 2022!



**HOT & COLD**

**Atlantic Food Bars**

**Hot & Cold Food  
Merchandising Equipment  
Specialists**

888-MEAL-SOLUTIONS

(888-632-5765)

[www.atlanticfoodbars.com](http://www.atlanticfoodbars.com)

# Dry Aged Beef Case

*Rear Load, Self-Contained*

IP# ABC5039 Series

50" L x 38-5/8" D x 84-7/8" H

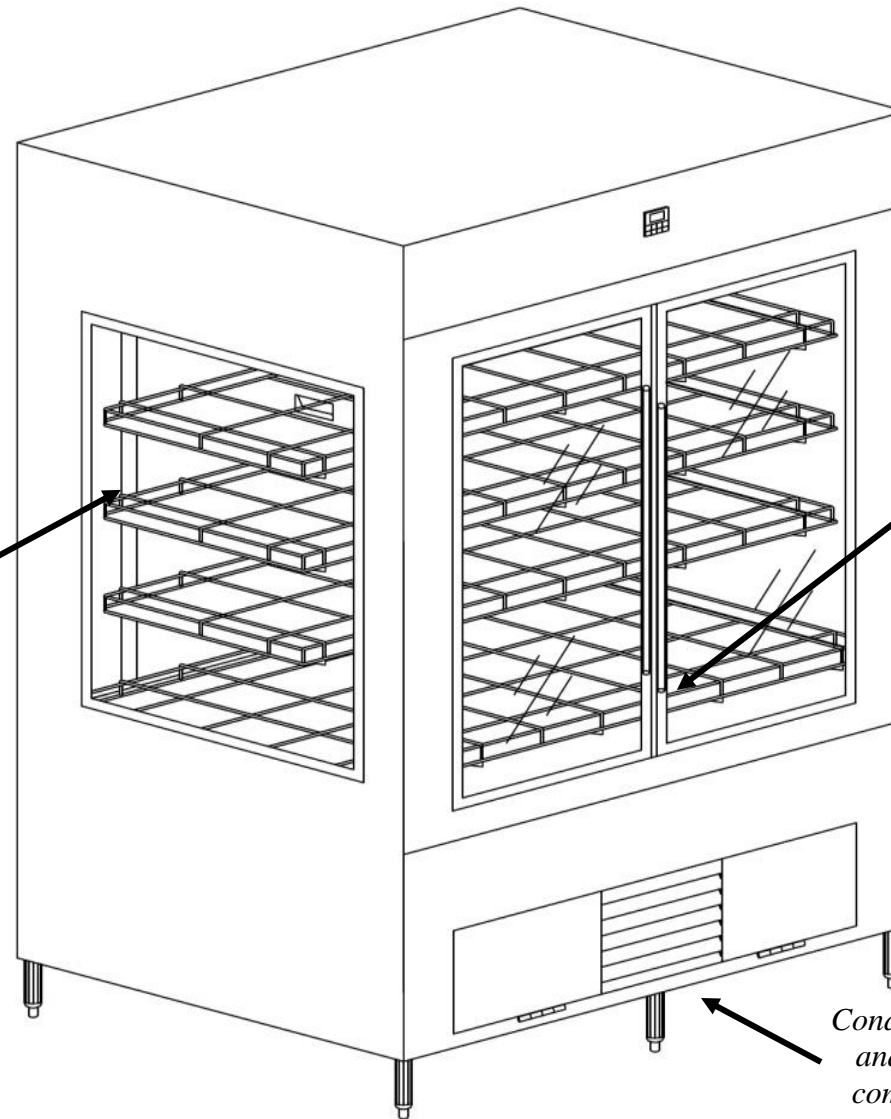
*NOTE : Shown with glass on all 4 sides – available with 1, 2, 3 or 4 sides glass.*

**MASTER APPROVAL  
DRAWINGS**

Details per sign off on page 1 and specifications on last page

Approval signature: \_\_\_\_\_

Date: \_\_\_\_\_



Fixed glass on 2 sides

Hinged insulated, locking double pane tempered glass doors on rear

Condensing unit and controls compartment

*Scroll down – pages 3-4 have additional views*



**HOT & COLD**

**Atlantic Food Bars**

**Hot & Cold Food Merchandising Equipment Specialists**

888-MEAL-SOLUTIONS  
(888-632-5765)

[www.atlanticfoodbars.com](http://www.atlanticfoodbars.com)

# Dry Aged Beef Case

*Rear Load, Self-Contained*

IP# ABC5039 Series

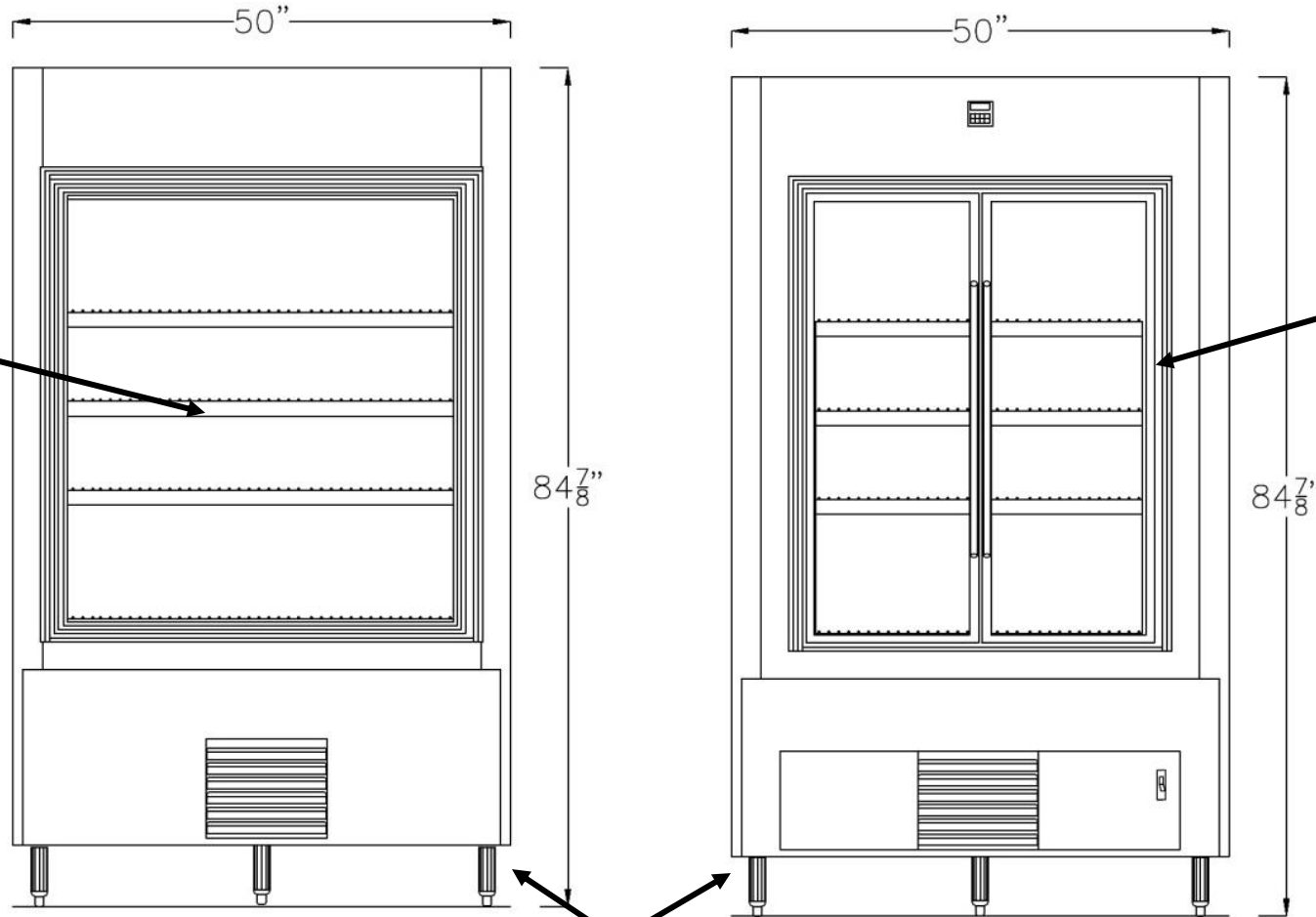
50" L x 38-5/8" D x 84-7/8" H

Details per sign off on page 1 and specifications on last page

Approval signature: \_\_\_\_\_

Date: \_\_\_\_\_

**MASTER APPROVAL DRAWINGS**



Fixed double pane, tempered glass front

Hinged locking, double pane tempered glass doors on back

**NOTE : Shown with glass on all 4 sides – available with 1, 2, 3 or 4 sides glass.**

**Scroll down – page 4 has additional views**

Celebrating 75 Years In 2022!



**HOT & GOLD**

**Atlantic Food Bars**  
Hot & Cold Food Merchandising Equipment Specialists

888-MEAL-SOLUTIONS  
(888-632-5765)  
[www.atlanticfoodbars.com](http://www.atlanticfoodbars.com)

# Dry Aged Beef Case

**Rear Load, Self-Contained**

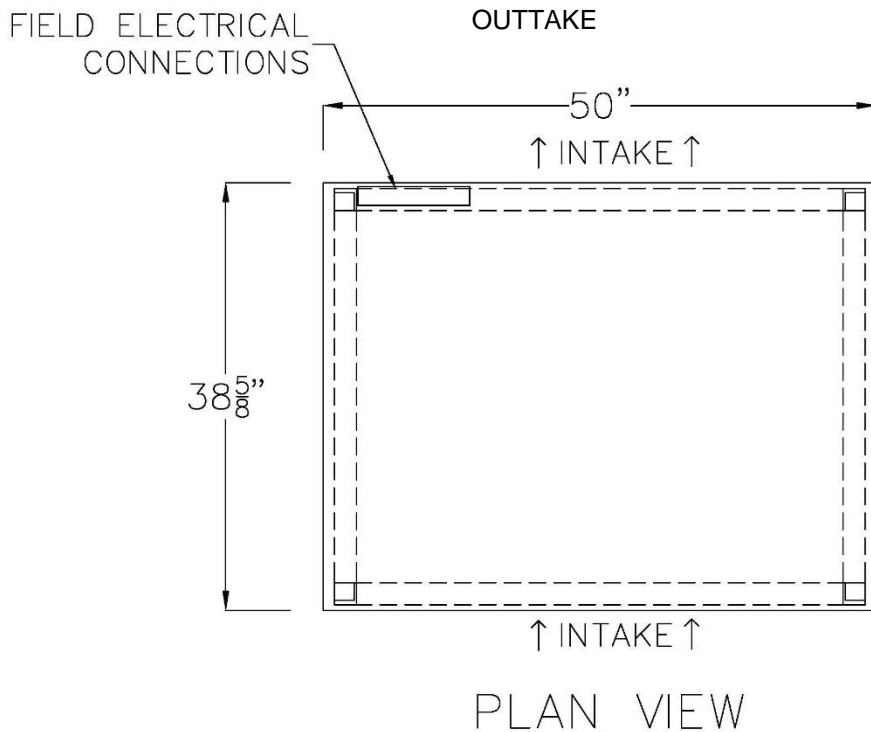
IP# ABC5039 Series

50" L x 38-5/8" D x 84-7/8" H

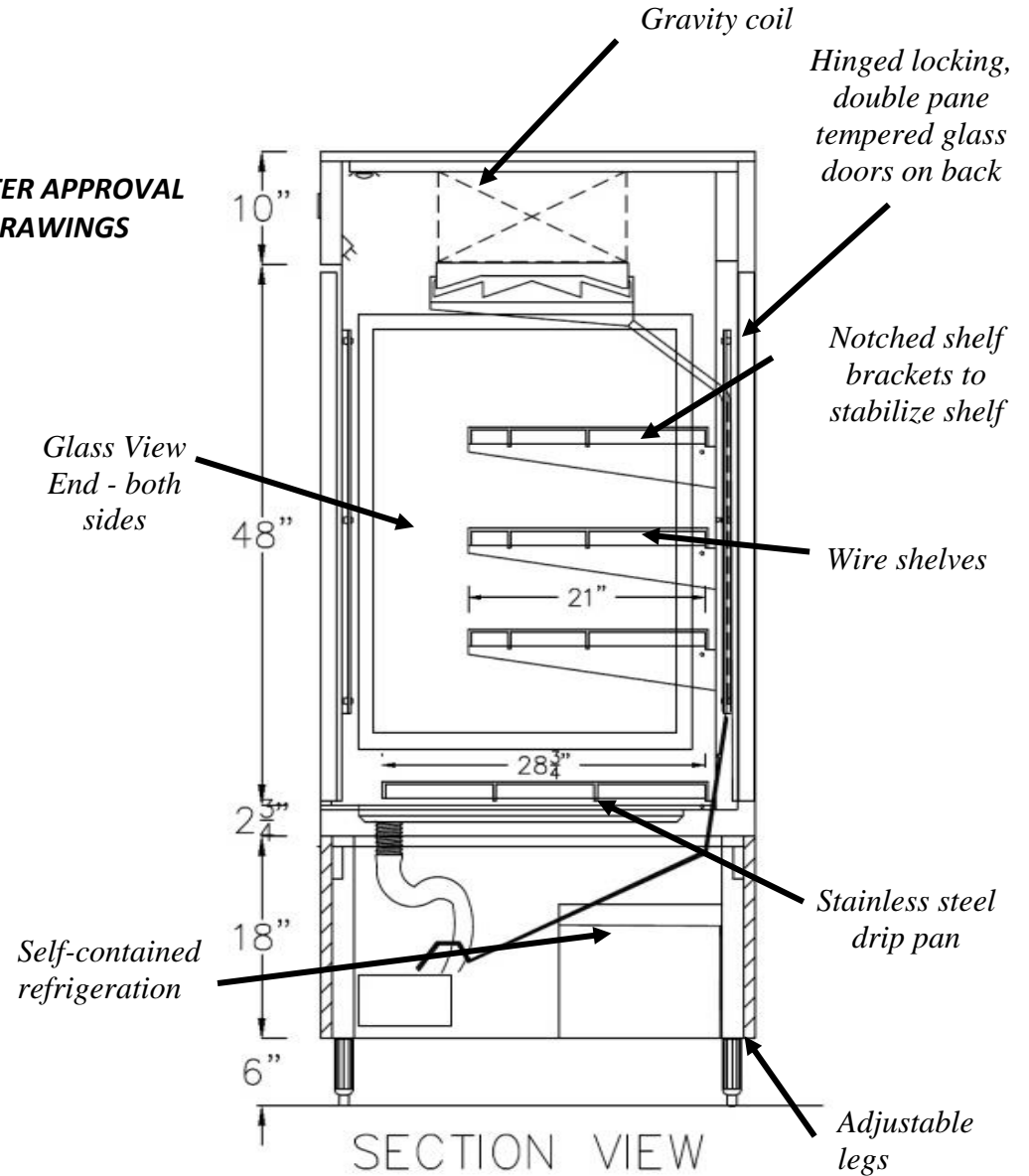
Details per sign off on page 1 and specifications on this page

Approval signature: \_\_\_\_\_

Date: \_\_\_\_\_



MASTER APPROVAL DRAWINGS



IP CODE	DIMENSIONS L" X W" X H"	CAPACITY LEVELS	ELECTRICAL		
			VOLTAGE	SELF-CONTAINED AMPS	MCA
ABC5039-AAS-FFGRHD-OLB-UO	50 x 38.625 x 84.875	4		120	

Celebrating 75 Years In 2022!

**HOT & COLD**

**Atlantic Food Bars**  
Hot & Cold Food Merchandising Equipment Specialists

888-MEAL-SOLUTIONS (888-632-5765)  
www.atlanticfoodbars.com